

**LIVONIA PUBLIC SCHOOLS
BOARD OF EDUCATION**

**Committee of the Whole
November 11, 2024 - 6:30 PM
Board Room
15125 Farmington Road
Livonia, Michigan 48154**

AGENDA

- I. AUDIENCE COMMUNICATIONS**
- II. COMMITTEE OF THE WHOLE**
Bradford, Chair; Acosta; Bonifield; Bradford; Burton; Frank; Jarvis;
Johnson
- III. BUILDING & SITE COMMITTEE**
Burton, Chair; Frank; Johnson
 - A. 2025 Bond Renovation Bid Packet** **2**
P. Francis
 - B. 2025 Roofing Bid Packet** **4**
P. Francis
 - C. HS Field House Equipment Replacement** **17**
P. Francis
 - D. Filter First Update** **73**
P. Francis
- IV. FINANCE COMMITTEE**
Bonifield, Chair; Acosta; Jarvis
- V. CURRICULUM COMMITTEE**
Acosta, Chair; Bonifield; Johnson
- VI. POLICY COMMITTEE**
Frank, Chair; Bonifield; Jarvis
 - A. Board Policy IFE - Field Trips** **74**
K. Etue
- VII. PERSONNEL COMMITTEE**
Johnson, Chair; Burton; Frank
- VIII. LEGISLATIVE COMMITTEE**
Jarvis, Chair; Acosta; Burton



Livonia Public Schools

District Services

Date: November 7, 2024

To: Andrea Oquist, Superintendent

From: Phillip Francis, Assistant Superintendent of District Services

Re: 2025 Bond Renovation Bid Packet

I would like an opportunity to share with the Board of Education the bid results for bid pack #1 for the summer 2025 Renovations projects at Buchanan Elementary School, Grant Elementary School, Johnson Upper Elementary School, and Churchill High School.

Bids for this project were due and opened on October 23, 2024. The Bond Team has reviewed the information and interviewed bidders. The recommended bidders are detailed in Clark Construction's recommendation letter, which accompanies this memo. Additionally, recommendation letters from the District's owner's representative, Plante Moran Realpoint, and construction manager, Clark Construction, are attached.

The total project cost for the summer 2025 hard construction is \$12,247,356, plus a 10% contingency of \$1,224,736 and fees of \$1,486,336, for a project total of \$14,958,428. Please note, this includes acceptance of alternate bids, as shown in Clark Construction's letter. We intend to discuss these accepted alternates at the upcoming meeting.

Please add this request to the agenda for the Committee of the Whole, Monday, November 11, 2024.

Thank you.

Attachments

PF/AS

c: Board of Education



Livonia Public Schools

District Services

Date: November 7, 2024

To: Andrea Oquist, Superintendent

From: Phillip Francis, Assistant Superintendent of District Services

Re: 2025 Roofing Bid Packet

I would like an opportunity to share with the Board of Education the bid results for Central Office Administration Building, Warehouse Building (Partial), Churchill High School (Partial), and Webster Elementary roof replacement. Bids were received and opened on October 24, 2024, and post-bid interviews were conducted shortly afterwards.

The Project Team is recommending the low responsible bidders as follows: MTD Construction for the Central Office Administration Building in the amount of \$298,165, Lutz Roofing for the Warehouse Building in the amount of \$348,000, and Royal Roofing for Webster Elementary School and Churchill High School in the amount of \$3,470,100, which includes an alternate at Churchill to replace the roof of Churchill's Field House. It is recommended to have a contingency fund for unforeseen conditions of six percent (\$246,976) for a roofing project total cost of \$4,363,241.

Please add this as an agenda item to the November 11, 2024, Committee of the Whole meeting.

Thank you.

Attachments

c: Board of Education

PF/AS

November 5, 2024

Mr. Phillip Francis
Assistant Superintendent of District Services
Livonia Public Schools
15125 Farmington Road
Livonia, MI 48154

RE: Sinking Fund Projects
Contract Award Recommendation for Roof Replacement Projects
Churchill High School (Partial), Webster Elementary School, Central Office, and Warehouse
(Partial)

Dear Mr. Francis:

This letter transmits an update from Plante Moran Realpoint (PMR) as it relates to the assignment to assist and advise Livonia Public Schools (LPS) in its selection of Prime Contractors for the Projects listed above. This update represents the mutual efforts of PMR, Roofing Technology Associates, Ltd. (RTA), LPS administration and staff (the Project Team) to present a framework in order to identify, evaluate, and recommend Prime Contractors for these Projects.

On October 4, 2024, Construction Documents were formally issued and made available. An advertisement for bidding was published in a local newspaper and posted to the required State of Michigan website.

On October 24, 2024, twenty (20) bid proposals were received for the Projects and over the next several days were reviewed and evaluated. Interviews were conducted with three apparent low bidding firms on October 25 and 29, 2024, and were attended by representatives from the Project Team. The scope of work (which includes full removal and replacement of the existing roofing systems), project schedule, phasing, staffing requirements, safety, site logistics and other particulars regarding the work were reviewed and discussed.

Upon completion of the interviews, and after subsequent clarifications and discussions, the Project Team is recommending **Royal Roofing Company, Inc. at Churchill High School and Webster Elementary School, MTD Construction at Central Office, and Lutz Roofing Company, Inc at the Warehouse** as detailed in RTA's recommendation letter dated October 31, 2024, as the lowest responsible bidders.

Including hard construction of \$4,116,265 and construction contingency of \$246,976 (6%), the total Project award recommendation equals \$4,363,241 as detailed within the enclosed cost summary sheet. Alternate 01 to replace the membrane only in areas E, E1, and E2 at Churchill High School was accepted in the amount of \$421,700 and included in the total award recommendation stated previously.

For the Prime Contractors, the cost for this work will be detailed in an AIA Contract A105 – 2017 Standard Form of Agreement between Owner and Contractor, as modified, pending final review and approval of terms by district legal counsel.

The Project Team is available at the Board's convenience to answer any questions regarding bidding, the proposals, interview process, or the recommendation herein. Please direct all questions through me via email at collin.frink@plantemoran.com.

Sincerely,

PLANTE MORAN REALPOINT



Collin Frink
Vice President

Enclosures: Cost Summary
 Roofing Technology Associates, LTD. Recommendation Letter
 Bid Tabulation
 Existing Roofing Condition Maps



**SINKNG FUND
2025 ROOFING REPLACEMENT PROJECTS
COST SUMMARY**

	Hard Construction		
Project	Budget	Actual	Variance
Churchill High School - Royal	\$ 3,009,600	\$ 2,417,400	\$ 592,200
Webster Elementary School - Royal	\$ 1,320,000	\$ 1,052,700	\$ 267,300
Central Office - MTD	\$ 325,000	\$ 298,165	\$ 26,835
Warehouse - Lutz	\$ 525,000	\$ 348,000	\$ 177,000
Totals	\$ 5,179,600	\$ 4,116,265	\$ 859,500

	Construction Contingency		
	Budget (6%)	Actual (6%)	Variance
Project Contingency	\$ 310,776	\$ 246,976	\$ 63,800
Totals	\$ 310,776	\$ 246,976	\$ 63,800

	Total Project Costs		
	Budget	Actual	Variance
Project Total	\$ 5,490,376	\$ 4,363,241	\$ 1,127,135
Totals	\$ 5,490,376	\$ 4,363,241	\$ 1,127,135



ROOFING TECHNOLOGY ASSOCIATES, LTD.

38031 SCHOOLCRAFT
LIVONIA, MICHIGAN 48150-1065
(734) 591-4444 • FAX (734) 591-1660 • E-MAIL: rta@rtaltd.com
Web site www.rtaltd.com

October 31, 2024
Project No. 24-017

Mr. Phillip Francis
Livonia Public Schools
15125 Farmington Road
Livonia MI 48154-5474
pfrancis@livoniapublicschools.org

RE: BID EVALUATION
Roof Replacement

- Central Office
- Churchill High School
- Warehouse
- Webster Elementary School

Livonia, Michigan

Dear Mr. Francis:

A total of five (5) bids were received for Central Office, three (3) bids were received for Churchill High School, and six (6) bids each were received for Warehouse and Webster Elementary School by the School District on October 24, 2024 and publicly opened. RTA, Plante Moran Realpoint and LPS (The Project Team) reviewed the bids, which have been tabulated on the attached form.

Bid Results

The apparent low bidder for Central Office is MTD Construction at \$298,165 with Lutz Roofing as the apparent second-low bidder at \$310,000.

The apparent low bidder for Churchill High School was Royal Roofing with a Base Bid price of \$1,995,700 and an Alternate Price No.1 for roof replacement of the Field House of \$421,700. Base Bid plus Alternate No.1 is \$2,417,400. Lutz Roofing is the apparent second-low bidder with Base Bid price of \$2,012,000, Alternate No.1 price of \$436,000, for a total bid of \$2,448,000.

The apparent low bidder for Warehouse is Lutz Roofing at \$348,000 with MTD Construction as the apparent second-low bidder at \$359,270.

The apparent low bidder for Webster Elementary School is Royal Roofing at \$1,052,700 with Lutz Roofing as the second apparent low bidder at \$ 1,065,000.



Due Diligence

The Project Team conducted virtual post-bid interviews with MTD Construction on October 25, 2024 and with Royal Roofing and Lutz Roofing on October 29, 2024 for the referenced projects.

RTA has worked successfully with all three apparent low bidders in the school district as well as on other projects outside of the school district.

During the post-bid interview Royal Roofing indicated that they could meet the construction schedules for both Churchill High School and Webster Elementary School.

Recommendations

It is our recommendation that the low-bidder be awarded each of the projects. MTD Construction on Central Office at a total of \$298,165, Lutz Roofing at Warehouse at a total of \$348,000, and Royal Roofing at both Webster Elementary School at \$1,065,000 and Churchill High School at a total of \$2,417,400 including Alternate No.1.

It is recommended to have a contingency fund for unforeseen conditions of approximately 6% for each project.

Sincerely,

ROOFING TECHNOLOGY ASSOCIATES, LTD.

Alexander P. Wisney, RRO
Project Manager

Ronald D. Kinne, RRC, RRO
Senior Project Manager

Attachments

Cc: Brian Weber

Livonia Public Schools
 Central Office, Churchill, Warehouse, and Webster
 Roof Replacement Bid Tabulation October 24, 2024

Contractor	Bloom Roofing	Division 7	Lutz Roofing	MTD	Newton Crane	Royal Roofing	Schena
Central Office Base Bid	\$ 351,982.00	NO BID	\$ 310,000.00	\$ 298,165.00	\$ 392,000.00	\$ 345,900.00	NO BID
Churchill Base Bid	NO BID	NO BID	\$ 2,012,000.00	NO BID	NO BID	\$ 1,995,700.00	\$ 2,429,129.00
Churchill Alt. No. 1	NO BID	NO BID	\$ 436,000.00	NO BID	NO BID	\$ 421,700.00	\$ 495,364.00
Churchill Total	NO BID	NO BID	\$ 2,448,000.00	NO BID	NO BID	\$ 2,417,400.00	\$ 2,924,493.00
Warehouse Base Bid	\$ 402,046.00	\$ 378,900.00	\$ 348,000.00	\$ 359,270.00	\$ 365,000.00	\$ 362,100.00	NO BID
Webster	NO BID	\$ 1,298,000.00	\$ 1,065,000.00	\$ 1,096,620.00	\$ 1,700,000.00	\$ 1,052,700.00	\$ 1,155,069.00

Unit Prices							
Wood Nailer Replacement							
1x4 (lf)	N/A	\$ 2.40	\$ 5.00	\$ 1.25	\$ 5.00	\$ 3.00	\$ 2.00
1x6 (lf)	\$ 4.00	\$ 2.80	\$ 6.00	\$ 1.50	\$ 5.00	\$ 4.00	\$ 2.50
1x8 (lf)	\$ 5.00	\$ 4.73	\$ 7.00	\$ 1.75	\$ 5.00	\$ 5.00	\$ 3.00
2x4 (lf)	\$ 5.00	\$ 3.50	\$ 7.00	\$ 2.00	\$ 5.00	\$ 4.00	\$ 4.00
2x6 (lf)	\$ 7.50	\$ 3.90	\$ 8.00	\$ 2.25	\$ 6.00	\$ 5.00	\$ 4.50
2x8 (lf)	\$ 9.00	\$ 5.25	\$ 9.00	\$ 2.50	\$ 6.00	\$ 6.00	\$ 5.00
2x10 (lf)	\$ 11.00	\$ 7.70	\$ 12.00	\$ 2.75	\$ 6.00	\$ 8.00	\$ 5.50
2x12 (lf)	\$ 15.00	\$ 9.00	\$ 15.00	\$ 3.00	\$ 7.00	\$ 10.00	\$ 6.00
1/2" Plywood	\$ 6.00	\$ 4.00	\$ 9.00	\$ 4.50	\$ 8.00	\$ 3.00	\$ 145.00
3/4" Plywood	\$ 8.00	\$ 4.80	\$ 10.00	\$ 6.50	\$ 8.00	\$ 4.00	\$ 165.00
7/16" OSB	TBD	N/A	\$ 8.00	\$ 4.00	\$ 8.00	\$ 1.75	N/A
Sheet Metal Plate							
per sq. ft.	\$ 6.00	\$ 5.00	\$ 15.00	\$ 2.50	\$ 10.00	\$ 8.00	\$ 11.00
Roof Drain Replacement							
per drain	\$ 1,500.00	\$ 1,750.00	\$ 2,900.00	\$ 1,500.00	\$ 3,600.00	\$ 2,500.00	\$ 1,200.00
Roof Deck Replacement or Repairs							
Tectum Deck per sq. ft.	\$ 35.00	\$ 29.00	\$ 38.00	\$ 12.00	\$ 45.00	\$ 45.00	\$ 15.50
Steel Deck per sq. ft.	\$ 12.00	\$ 13.00	\$ 18.00	\$ 25.00	\$ 16.00	\$ 15.00	\$ 13.50
Acoustical Steel Deck per sq. ft.	N/A	\$ 23.00	T&M	\$ 35.00	\$ 35.00	\$ 18.00	\$ 24.50
2x6 T&G Wood Deck sq. ft.	\$ 20.00	N/A	\$ 14.00	\$ 12.00	\$ 16.00	\$ 17.00	N/A
Replacement Isocyanurate Insulation							
2.0-inch per sq. ft.	N/A	N/A	\$ 4.00	N/A	N/A	\$ 3.00	\$ 4.00
1.5-inch per sq. ft.	N/A	\$ 3.00	\$ 2.50	\$ 2.00	\$ 2.50	\$ 2.25	\$ 3.00
1.0-inch per sq. ft.	\$ 1.70	N/A	\$ 2.25	\$ 2.00	\$ 2.00	\$ 2.10	N/A



Bid Results 2025 Roof Replacement

CENTRAL OFFICE

	Bond	Add.	EEO	Familial	Iran	Base Bid	Alternates	Total
MTD	Yes	Yes	Yes	Yes	Yes	\$ 298,165	NA	\$ 298,165
Lutz Roofing	Yes	Yes	Yes	Yes	Yes	\$ 310,000	NA	\$ 310,000
Royal Roofing	Yes	Yes	Yes	Yes	Yes	\$ 345,900	NA	\$ 345,900
Bloom Roofing	Yes	Yes	Yes	Yes	Yes	\$ 351,982	NA	\$ 351,982
Newton Crane	Yes	Yes	Yes	Yes	Yes	\$ 392,000	NA	\$ 392,000

WAREHOUSE

	Bond	Add.	EEO	Familial	Iran	Base Bid	Alternates	Total
Lutz Roofing	Yes	Yes	Yes	Yes	Yes	\$ 348,000	NA	\$ 348,000
MTD	Yes	Yes	Yes	Yes	Yes	\$ 359,270	NA	\$ 359,270
Division 7	Yes	Yes	Yes	Yes	Yes	\$ 378,900	NA	\$ 378,900
Royal Roofing	Yes	Yes	Yes	Yes	Yes	\$ 362,100	NA	\$ 362,100
Newton Crane	Yes	Yes	Yes	Yes	Yes	\$ 365,000	NA	\$ 365,000
Bloom Roofing	Yes	Yes	Yes	Yes	Yes	\$ 402,046	NA	\$ 402,046

CHURCHILL

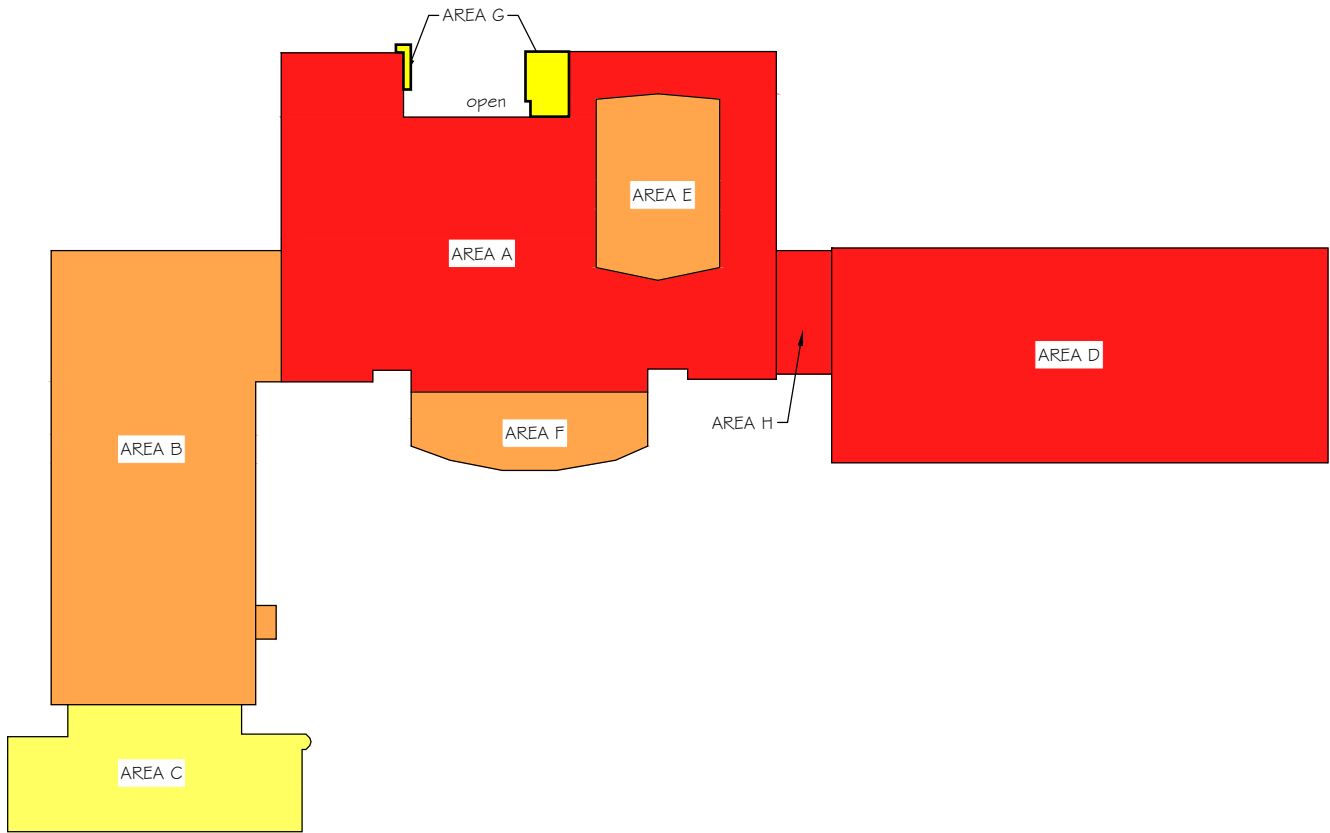
	Bond	Add.	EEO	Familial	Iran	Base Bid	Alternate 1	Total
Royal Roofing	Yes	Yes	Yes	Yes	Yes	\$ 1,995,700	\$ 421,700	\$ 2,417,400
Lutz Roofing	Yes	Yes	Yes	Yes	Yes	\$ 2,012,000	\$ 436,000	\$ 2,448,000
Schena	Yes	Yes	Yes	Yes	Yes	\$ 2,429,129	\$ 495,364	\$ 2,924,493



Bid Results 2025 Roof Replacement

WEBSTER

	Bond	Add.	EEO	Familial	Iran	Base Bid	Alternates	Total
Royal Roofing	Yes	Yes	Yes	Yes	Yes	\$ 1,052,700	NA	\$ 1,052,700
Lutz Roofing	Yes	Yes	Yes	Yes	Yes	\$ 1,065,000	NA	\$ 1,065,000
MTD	Yes	Yes	Yes	Yes	Yes	\$ 1,096,620	NA	\$ 1,096,620
Schena	Yes	Yes	Yes	Yes	Yes	\$ 1,155,069	NA	\$ 1,155,069
Division 7	Yes	Yes	Yes	Yes	Yes	\$ 1,298,000	NA	\$ 1,298,000
Newton Crane	Yes	Yes	Yes	Yes	Yes	\$ 1,700,000	NA	\$ 1,700,000



GENERAL NOTES:

1. All areas and dimensions shown are approximate and based upon rough field measurements taken by representatives of Roofing Technology Associates, Ltd.
2. This drawing should not be used for bidding or estimating purposes. Contractors are responsible for their own field measurements, quantities and verification of conditions shown.

CONDITION		SERVICEABLE LIFE	RCI
failed		0 - 1 years	0 - 30
very poor		1 - 3 years	31 - 45
poor		3 - 6 years	46 - 55
fair		6 - 10 years	56 - 65
fair to good		10 - 15 years	66 - 75
good		15+ years	76 - 100

ROOF AREA PLAN

not to scale

NOTE: components shown are new unless noted as existing

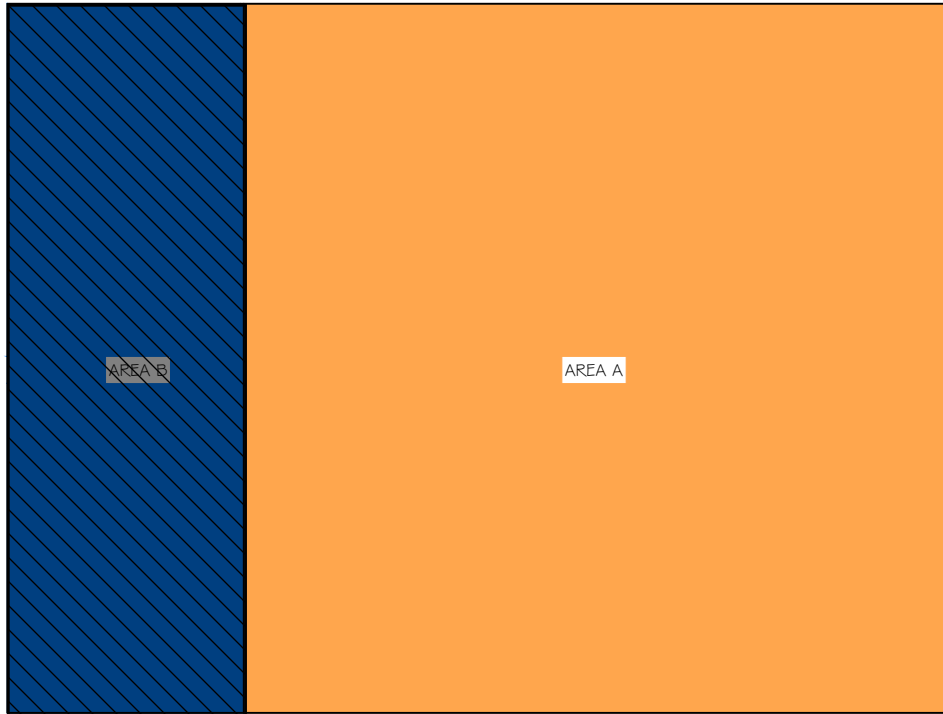



ROOFING TECHNOLOGY ASSOCIATES, LTD.

38031 SCHOOLCRAFT ROAD
LIVONIA, MICHIGAN 48150-1065
(734) 591-4444

LIVONIA PUBLIC SCHOOLS
WEBSTER ELEMENTARY SCHOOL
3240 I PEMBROKE ST
LIVONIA, MICHIGAN







Project No:	22-008	Drawn By:	JDS	13
Date:	OCTOBER, 2022	Checked By:	MCB	



 Areas Excluded from Scope

GENERAL NOTES:

1. All areas and dimensions shown are approximate and based upon rough field measurements taken by representatives of Roofing Technology Associates, Ltd.
2. This drawing should not be used for bidding or estimating purposes. Contractors are responsible for their own field measurements, quantities and verification of conditions shown.

CONDITION		SERVICEABLE LIFE	RCI
failed		0 - 1 years	0 - 30
very poor		1 - 3 years	31 - 45
poor		3 - 6 years	46 - 55
fair		6 - 10 years	56 - 65
fair to good		10 - 15 years	66 - 75
good		15+ years	76 - 100

ROOF AREA PLAN

not to scale

NOTE: components shown are new unless noted as existing



ROOFING TECHNOLOGY ASSOCIATES, LTD.

38031 SCHOOLCRAFT ROAD
LIVONIA, MICHIGAN 48150-1065
(734) 591-4444

LIVONIA PUBLIC SCHOOLS
WAREHOUSE
15125 FARMINGTON RD
LIVONIA, MICHIGAN

Project No: 24-057

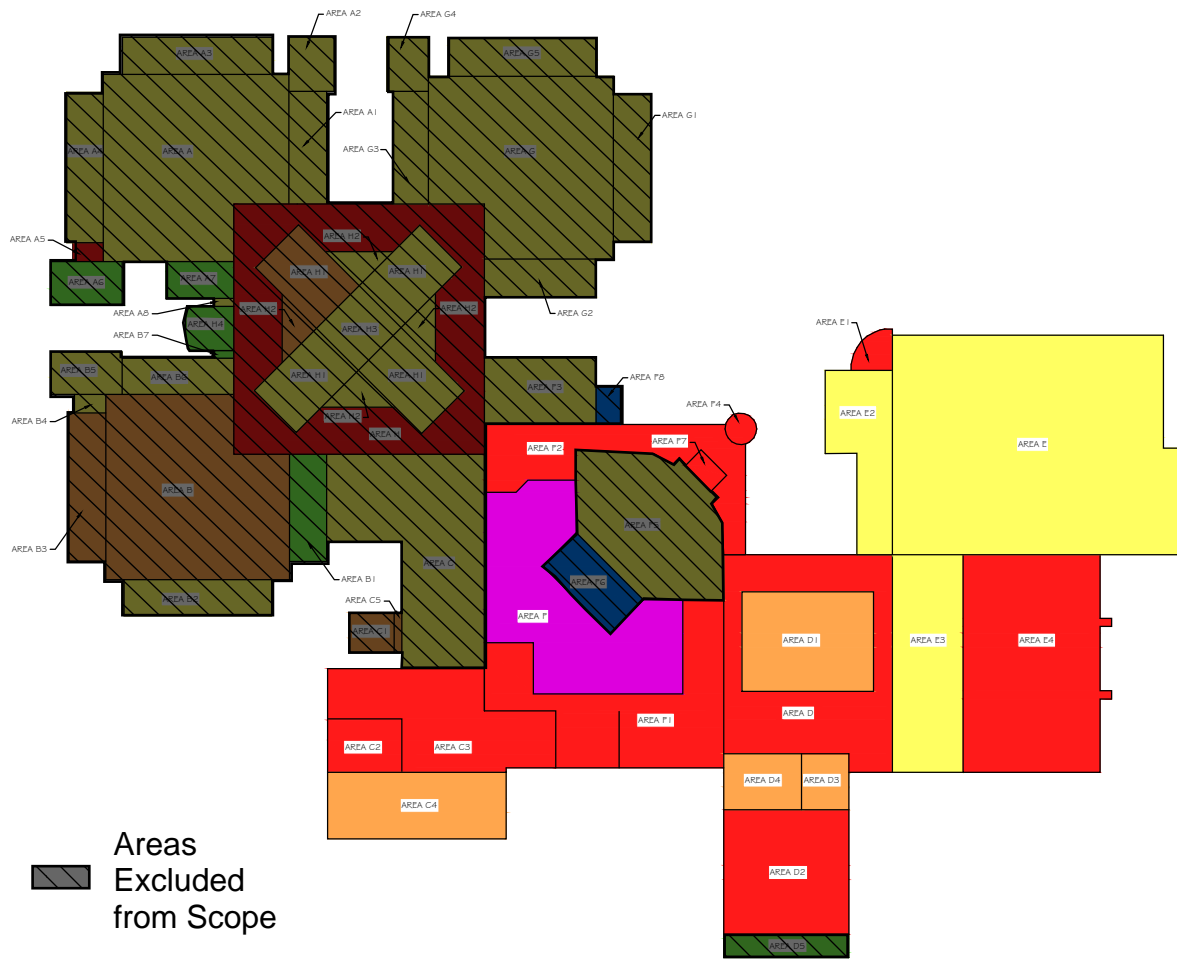
Drawn By: APW

Detail No:

Date: 14 NOV. 2024

Checked By: APW

26B



GENERAL NOTES:

1. All areas and dimensions shown are approximate and based upon rough field measurements taken by representatives of Roofing Technology Associates, Ltd.
2. This drawing should not be used for bidding or estimating purposes. Contractors are responsible for their own field measurements, quantities and verification of conditions shown.

CONDITION		SERVICEABLE LIFE	RCI
failed		0 - 1 years	0 - 30
very poor		1 - 3 years	31 - 45
poor		3 - 6 years	46 - 55
fair		6 - 10 years	56 - 65
fair to good		10 - 15 years	66 - 75
good		15+ years	76 - 100

ROOF AREA PLAN

not to scale

NOTE: components shown are new unless noted as existing



ROOFING TECHNOLOGY ASSOCIATES, LTD.

38031 SCHOOLCRAFT ROAD
LIVONIA, MICHIGAN 48150-1065
(734) 591-4444

LIVONIA PUBLIC SCHOOLS
CHURCHHILL HIGH SCHOOL
8900 NEWBURGH RD
LIVONIA, MICHIGAN

Project No:
15 22-008

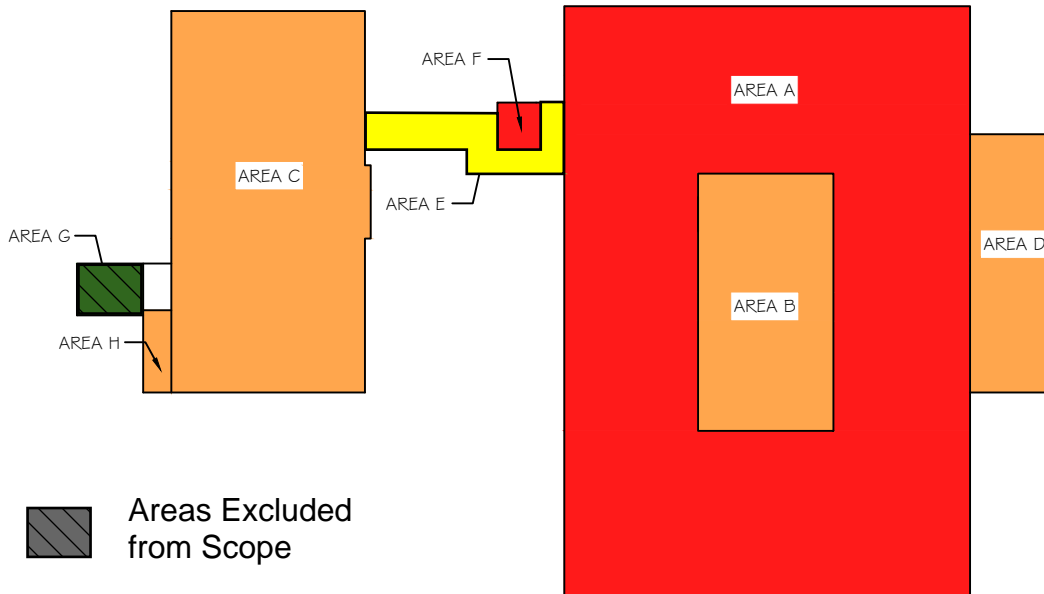
Date:
OCTOBER, 2022

Drawn By:
JDS

Checked By:
MCB

Detail No:

20



GENERAL NOTES:

1. All areas and dimensions shown are approximate and based upon rough field measurements taken by representatives of Roofing Technology Associates, Ltd.
2. This drawing should not be used for bidding or estimating purposes. Contractors are responsible for their own field measurements, quantities and verification of conditions shown.

CONDITION		SERVICABLE LIFE	RCI
failed		0 - 1 years	0 - 30
very poor		1 - 3 years	31 - 45
poor		3 - 6 years	46 - 55
fair		6 - 10 years	56 - 65
fair to good		10 - 15 years	66 - 75
good		15+ years	76 - 100

ROOF AREA PLAN

not to scale

NOTE: components shown are new unless noted as existing



ROOFING TECHNOLOGY ASSOCIATES, LTD.

38031 SCHOOLCRAFT ROAD
LIVONIA, MICHIGAN 48150-1065
(734) 591-4444

LIVONIA PUBLIC SCHOOLS
CENTRAL OFFICE
15125 FARMINGTON RD
LIVONIA, MICHIGAN

Project No:

17-043

Drawn By:

JDS

Detail No:

26A

Date:

JUNE, 2017

Checked By:

MCB



Date: November 7, 2024

To: Andrea Oquist, Superintendent

From: Phillip Francis, Assistant Superintendent of District Services

Re: HS Field House Equipment Replacement

I would like to discuss, at the November 11, 2024, Committee of the Whole meeting the purchase of new equipment for all three high school field houses. The equipment purchase includes replacing the six portable basketball hoops in each field house. Additionally, per the athletic administrators' request, we will remove one ceiling hung volleyball system and replace it with a side lifting multi-sport practice/batting cage. The field houses currently have two ceiling hung volleyball systems and ceiling hung multi-sport/batting cage. The schools' need for the batting cages is greater than the need for the second volleyball system because the spring weather in Michigan very often cause the baseball and softball teams to practice indoors. There will be enough volleyball systems, between the one that will remain and the pole systems set into the floors, to cover the needs of volleyball practices.

The cost of each portable basketball hoop is \$15,750 and the cost of installing each side lifting multi-sport practice/batting cage is 16,600. The total for each school's field house will be \$111,100. I am recommending this purchase from Bareman and Associates, Jenison, Michigan, in the total amount of \$333,300. This project will be funded via the Capital Projects Fund. Please add this request to the agenda of the November 11, 2024, Committee of the Whole Meeting.

Thank you.

Attachments

c: Board of Education

PF/AS

CONTRACT PROPOSAL

Bareman and Associates, Inc.

Architectural Building Specialties
 SUITE 100 * 2197 PINE RIDGE DRIVE, JENISON, MI 49428
 PHONE: (616) 669-9761 * FAX: (616) 669-1696

TO: Phillip M. Francis, Asst. Supt. of Dist. Svcs.

DATE: November 1, 2024

PROJECT: Livonia Public Schools

DESCRIPTION	PRICE
<p><u>Churchill High School – Fieldhouse</u></p> <p><u>Scope of Work: Replacement Portable Basketball Hoops – Schelde Brand</u></p> <p><u>Includes:</u></p> <p>(6) Schelde, Super SAM Model #245 – includes board, goal and hardware</p> <p>(6) Schelde, Super SAM Model #245 – 5 Piece pad sets, including custom graphics (school mascot or logo)</p> <p>(6) Schelde, Bolt-On-Backboard Padding – Color: TBD</p> <p>Delivery and Installation</p> <p><u>Not included:</u></p> <p>Removal / Disposal / Recycling of Existing Hoops – by others</p>	
PROJECT TOTAL:	\$94,500.00

This Quotation will remain firm for a period of 30 days.

All material is guaranteed to be as specified above. All work to be completed in a workmanlike manner according to standard practices. Any alteration or deviation from above specifications involving extra

costs, will be executed only upon written orders, and will become

an extra charge over and above the estimate. All agreements contingent upon strikes, accidents or delays beyond our control. Owner to carry fire, tornado and other necessary insurance. Our workers are fully covered by Workmen's Compensation Insurance.

TERMS: Net 30 days. PAST DUE balances are subject to late fee of 1-1/2% per month.

BAREMAN AND ASSOCIATES, INC.

BY Gary Ells
 Gary Ells

ACCEPTED BY _____

DATE _____

SUPER SAM 245

BASKETBALL UNIT PRODUCT BREAKDOWN



LEVEL 3



STORAGE



FULL PROJECTION

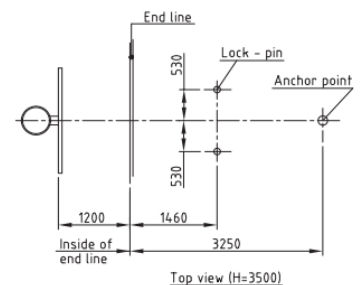
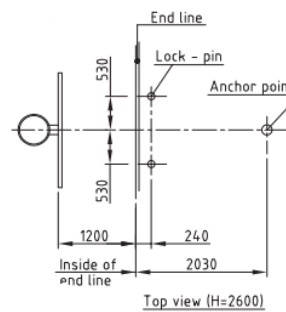
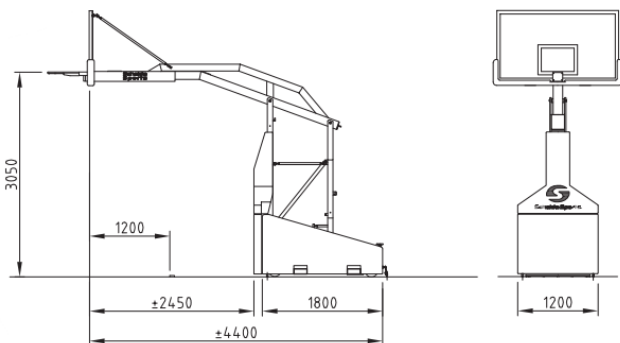
SUPER SAM 245 (1612010)

Setting the world standard for excellence. Designed and manufactured by the inventors of the original SAM (Spring Assisted Mechanism) and DSF (Dynamic Sub Frame).

FEATURES

- Complete portable backstop unit.
- 8' projection.
- One step easy set-up system, within 5 seconds 1 person can set the basketball backstop into the right game position
- FIBA Level 3 approved.
- Strong and stable backstop, white coated high-tensile strength steel frame. Lifetime maintenance free pivot bearings, 100% enclosed counterweights.
- 2 wheels in the front and 2 triple fixed wheels in the rear for optimal weight distribution.
- Tempered glass backboard.
- 180° multidirectional breakaway ring.
- Sturdy nylon Anti-Whip basketball net.
- Safety padding for the front, sides, backboard and neck. Come in a variety of color and can be customized.
- Floor hook at the rear of the frame. 2 positioning pins for quick and precise installation on the court. Floor connector set included: for both PU floors and suspended floors.

FOR WORLD-CLASS VENUES AND HIGHEST LEVEL OF COMPETITION



CONTRACT PROPOSAL

Bareman and Associates, Inc.

Architectural Building Specialties
 SUITE 100 * 2197 PINE RIDGE DRIVE, JENISON, MI 49428
PHONE: (616) 669-9761 * **FAX:** (616) 669-1696

TO: Phillip M. Francis, Asst. Supt. of Dist. Svcs.

DATE: November 1, 2024

PROJECT: Livonia Public Schools

DESCRIPTION	PRICE
<p><u>Churchill High School – Fieldhouse</u></p> <p><u>Scope of Work: Replacement Portable Basketball Hoops – Draper Brand</u></p> <p><i>Includes:</i></p> <p>(6) Draper, Sharpshooter 96 – includes #503136 backboard, #503040 breakaway goal and #5032XX bolt-on edge padding (color: TBD); vinyl covered base and upright padding – See attached submittal</p> <p>Delivery and Installation</p> <p><i>Not included:</i></p> <p>Removal / Disposal / Recycling of Existing Hoops – by others</p> <p style="text-align: right;">PROJECT TOTAL:</p>	<p>\$94,150.00</p>

This Quotation will remain firm for a period of 30 days.

All material is guaranteed to be as specified above. All work to be completed in a workmanlike manner according to standard practices. Any alteration or deviation from above specifications involving extra

costs, will be executed only upon written orders, and will become

an extra charge over and above the estimate. All agreements contingent upon strikes, accidents or delays beyond our control. Owner to carry fire, tornado and other necessary insurance. Our workers are fully covered by Workmen’s Compensation Insurance.

TERMS: Net 30 days. PAST DUE balances are subject to late fee of 1-1/2% per month.

BAREMAN AND ASSOCIATES, INC.

BY Gary Ells
 Gary Ells

ACCEPTED BY _____

DATE _____

EZ-Sharpshooter 96 Portable Basketball System - 503019

Specifications

Product Description

_____ Portable backstop system shall be 503019 by Draper, Inc., Spiceland, IN.

EZ-Sharpshooter 96 Portable Basketball System shall provide a competition size 42" x 72" glass backboard and competition breakaway goal on a fully padded portable base when rim was set at 10'. Face of backboard shall be a minimum of 96" from the front of the padded base. Backboard shall be ½" tempered glass with official white border and shooter's square and extruded aluminum frame. Backboard shall be designed so that the basketball rim mounts through the glass into the horizontal extension of the base to reduce stress on the glass during play.

Breakaway rim shall be designed to flex with equal pressure in any direction around the front 180° circumference of the ring and have a tubular net attachment system.

Backboard padding shall be bolt-on molded urethane with steel inserts molded into the padding. Padding shall be available in choice of 12 colors.

Entire system shall meet all rules for high school and collegiate play.

Backboard and goal shall be suspended by means of a pivoting, welded steel structure that uses extension spring technology to counterbalance the weight of the backboard and goal to raise and lower the goal for play and storage. Primary structural steel components shall be a minimum of 4" x 4" and 4" x 2" tubing with a minimum ¼" wall thickness. Horizontal extension arm shall be reinforced by no less than two ¼" thick steel members for no less than 7' of the arm length. All pivot points to facilitate lowering for storage shall be 1¼" steel pivot pins riding on self lubricating bronze bearings. Welded base shall provide a fully enclosed ballast compartment that is properly loaded with steel ballast at the factory.

Goal shall be raised and lowered by one person and locked at the desired rim height or storage position by means of a telescoping height adjustment mechanism that has permanent rim height markings. Rim shall be capable of height settings from 7' to 10' in 6" increments.

All steel components shall have a textured white polyester powder coated finish.

Entire basketball system shall rest on the floor when in the storage position on six (6), 8" diameter, 2" wide urethane casters. When rolled into playing position, front of system shall be lifted from the front wheels onto two 4" diameter urethane stabilizer pads.

Stabilizer pads shall be lowered by means of a threaded lead screw located at the top front corners of the base.

Padding: Entire front and sides of the base and front of the structural upright shall be padded a minimum of 2" thick in choice of 12 colors. Lower surface of horizontal extension arm shall be padded to a distance of 60" from the rear of the backboard.

Front locator pins and floor locator bushings and rear hold-downs shall be standard with the system. **System weight** shall be approximately 2,350 lbs.

The padded base shall be approximately 40" wide x 74" long. **The total stored dimension** shall be approximately 76" wide x 165" long x 78" high.

Components shall carry the following minimum warranties.
Backboard, limited lifetime; Structure, 10-year limited;
Backboard Edge Padding, 10-year and Breakaway Goal, 5-year.



Please Mark Appropriate Selections

Select Padding Color

Select Color:

- | | | |
|---|---|--|
| <input type="checkbox"/> 01 White | <input type="checkbox"/> 02 Marine Blue | <input type="checkbox"/> 04 Red |
| <input type="checkbox"/> 05 Beige | <input type="checkbox"/> 06 Orange | <input type="checkbox"/> 07 Yellow |
| <input type="checkbox"/> 08 Grey | <input type="checkbox"/> 09 Maroon | <input type="checkbox"/> 10 Royal Blue |
| <input type="checkbox"/> 11 Black | <input type="checkbox"/> 12 Purple | <input type="checkbox"/> 13 Forest Green |
| <input type="checkbox"/> 14 Kelly Green | <input type="checkbox"/> 15 Navy Blue | |

* These colors may require longer lead time. Contact Draper, Inc. for details



PROJECT: _____

ARCHITECT: _____

CONTRACTOR: _____

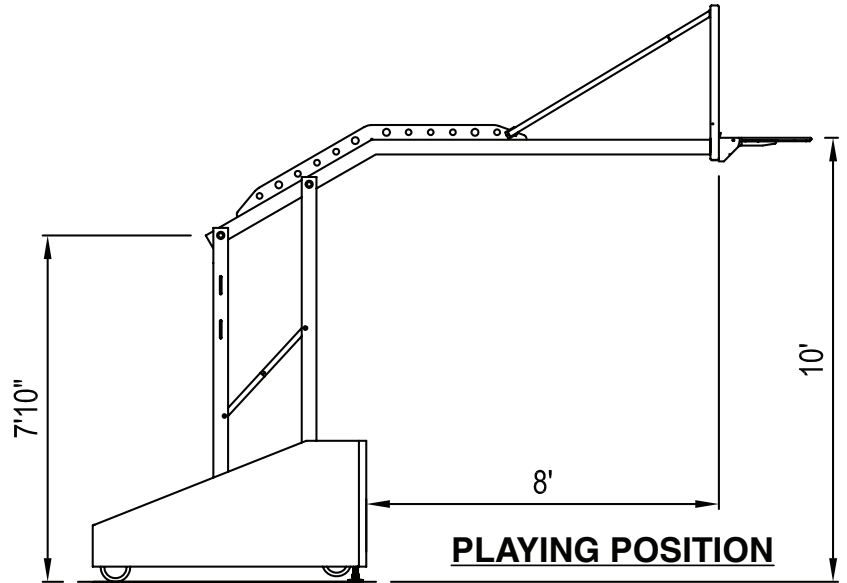
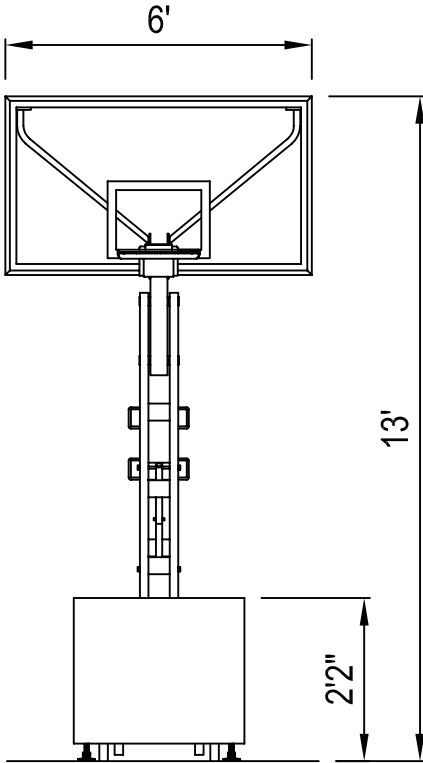
SUPPLIER: _____

DATE: _____ REVISED: _____

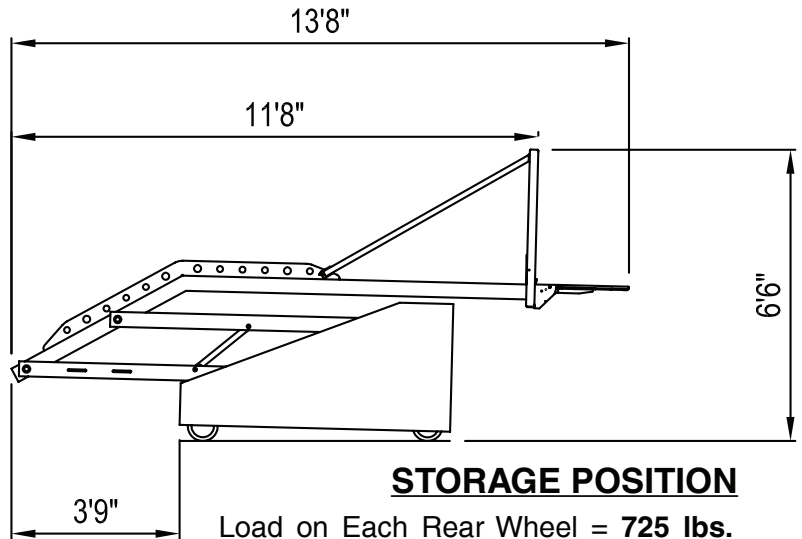
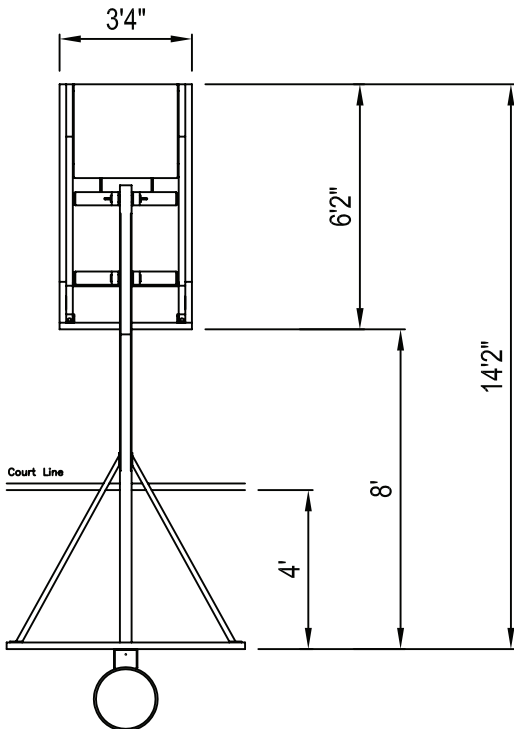
EZ-Sharpshooter 96 Portable Basketball System - 503019

SUBMITTAL

TECHNICAL SPECIFICATIONS



Load on Each Rear Wheel = 465 lbs.
 Load on Each Front Pad = 690 lbs.



Load on Each Rear Wheel = 725 lbs.
 Load on Each Front Pad = 430 lbs.



PROJECT: _____

ARCHITECT: _____

CONTRACTOR: _____

SUPPLIER: _____

DATE: _____ REVISED: _____



PO Box 841393
 Dallas, TX 75284-1393
 Phone: 800-527-7510 Fax: 800-899-0149
 Visit us at www.bsnsports.com

Quote	
Cart #:	12426500
Purchase Order #:	Portable Basketball System
Cart Name:	Porter Basketball Systems
Quote Date:	10/24/2024
Quote Valid-to:	11/22/2024
Payment Terms:	NT30
Ship Via:	
Ordered By:	Dusty Hall

Contact Your Rep

Aaron Wick Email:awick@bsnsports.com | Phone:

Sold to
1442510
FRANKLIN HIGH SCHOOL
 3100 JOY RD
 LIVONIA MI 48150-3916
 USA

Ship To
1442510
FRANKLIN HIGH SCHOOL
 Dusty Hall
 3100 JOY RD
 LIVONIA MI 48150-3916
 USA

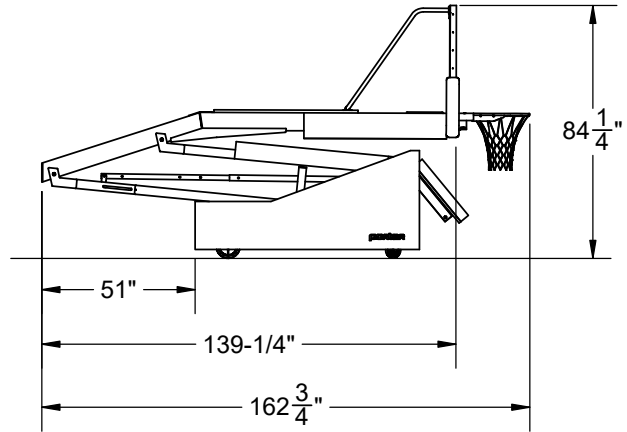
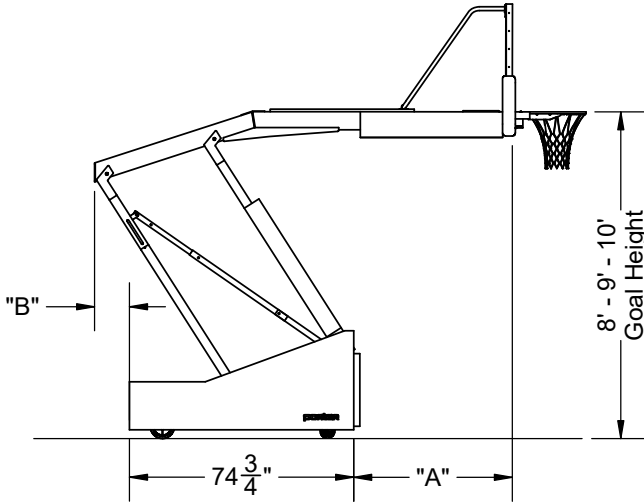
Payer
1442510
FRANKLIN HIGH SCHOOL
 3100 JOY RD
 LIVONIA MI 48150-3916
 USA

Item Description	Qty	Unit Price	Total
Black/Red-1135 PORTABLE PAD COLOR FRME COLOR GFX Item # - PR1135080CSP	6 EA	\$ 16,999.99	\$ 101,999.94
6			

Subtotal:	\$101,999.94
Other:	\$0.00
Freight:	\$1,200.00
Sales Tax:	\$0.00
Order Total:	\$103,199.94
Payment/Credit Applied:	\$0.00
Order Total:	\$103,199.94

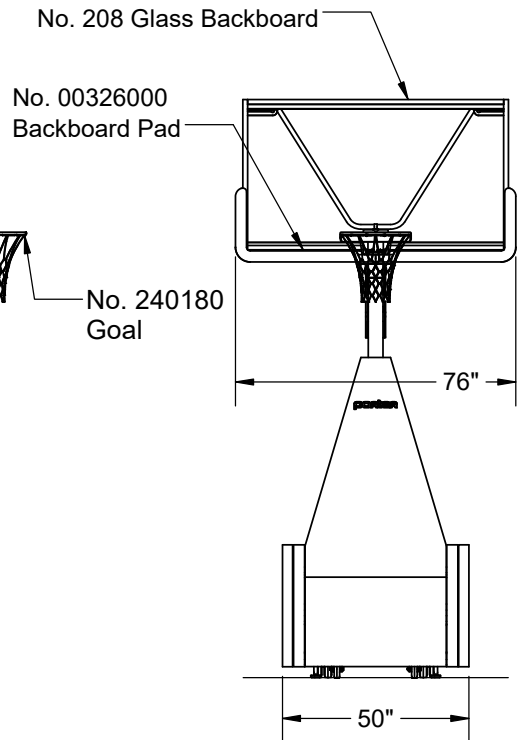
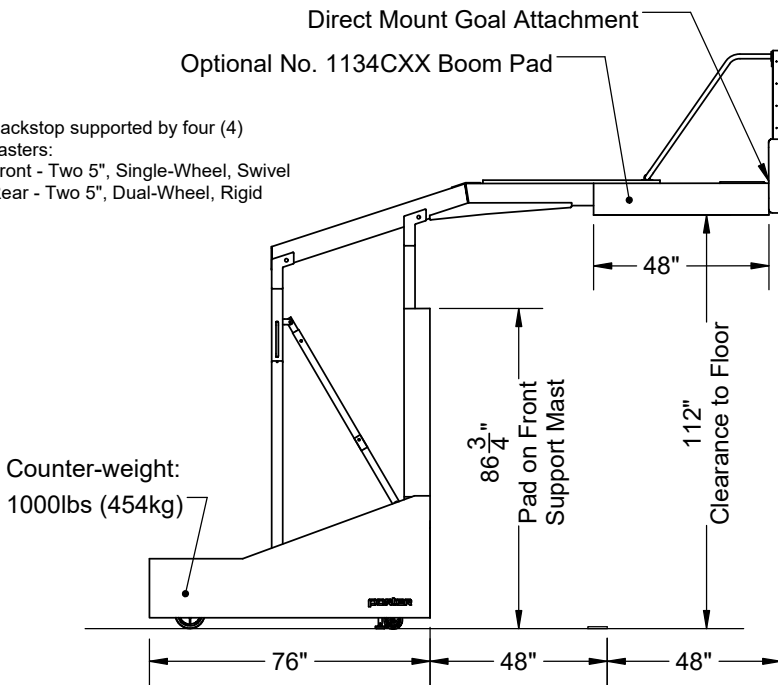
1135080 - PORTABLE BACKSTOP

HEIGHT-ADJUSTABLE PORTABLE BACKSTOP WITH 8'-0" EXTENSION



GOAL HEIGHT SETTING			
	10'	9'	8'
A	8'	4'-3 1/2"	3'-11 1/2"
B	N/A	11-3/4"	2'-3 1/2"

Backstop supported by four (4) casters:
 Front - Two 5", Single-Wheel, Swivel
 Rear - Two 5", Dual-Wheel, Rigid



Color Selection		
01 - Light Blue	06 - Yellow Gold	11 - Purple
02 - Royal Blue	07 - Silver *	12 - Black (Gloss)
03 - Red	08 - Tan/ Old Gold	13 - Navy Blue
04 - White	09 - Gray	14 - Kelly Green
05 - Orange	10 - Maroon	15 - Dark Green

NOTE

XX - Pad Set Color
 YY - Frame Color

2.75" (70mm) thick protective front pads
 2.75" (70mm) thick protective side pads

* Silver available for frame color only, not pad set color

** Backboard pad to match vinyl color (white and tan padding receive gray backboard padding)

- 1135080CXXYY - 1135 PORTABLE; 8' EXTENSION

- 1135080CXXYYSP - 1135 PORTABLE; 8' EXTENSION; WITH GRAPHIC PADS

1135080 - PORTABLE BACKSTOP

HEIGHT-ADJUSTABLE PORTABLE BACKSTOP WITH 8'-0" EXTENSION

SPECIFICATIONS

PORTER No. 1135080 HEIGHT ADJUSTABLE PORTABLE BACKSTOP WITH 6'-0" x 3'-6" RECTANGULAR GLASS BACKBOARD

Backstop shall be designed for use at official goal height setting of 10'-0" (3.05m) with an integral height adjustment locking mechanism which also allows the unit to be used and locked into position at 8'-0" (2.44m) and 9'-0" (2.75m) goal heights. Unit shall be positioned on the floor by means of two (2) hand operated, retractable, positioning floor locks.

Base of unit shall be 4'-2" (1.27m) in width x 6' 2-3/4" (1.90m) in length (including padding). Base shall be constructed of heavy-wall, 3" x 2" (7.6cm x 5cm) structural steel tubing. Base shall be furnished complete with compact, solid steel ballast (1000lbs – 454kg) weights concealed and nested inside frame of the unit. Base frame shall incorporate four (4) non-marking, rubber tread caster wheels equipped with roller bearings for ease of operation. Front two casters shall be 5" (12.7cm) diameter, single-wheel swivel-type and rear two casters shall be 8" (20.3cm) diameter, dual-wheel rigid-type.

Front and rear vertical support assemblies shall be fabricated of heavy-wall 4" x 3" (10.2cm x 7.6cm) steel sections, diagonally braced by 3" x 2" (7.6cm x 5cm) structural steel tubing sections for maximum rigidity. Upper and lower ends of vertical supports shall pivot in adjustable, oil impregnated bronze bushings for maintenance free operation.

Center horizontal backboard support (Center-Strut®) shall be of a 6" x 4" (15.2cm x 10.2cm) heavy-wall steel section extending to a heavy steel mounting plate behind the backboard. Goal shall bolt through sleeves in the glass backboard into said mounting plate to eliminate any strain on the glass backboard during slam- dunk type maneuvers. Two additional backboard mounting bolts are provided to hold backboard in position, should the four goal mounting bolts be removed for replacement of the goal. This direct goal mount feature conforms to NCAA rule (BR-36-14) for basket-ring mounting. Extension assembly shall provide a full 8'-0" (2.44m) from the face of the backboard to the front padding, and 9'-7" (2.92m) vertical dimension from the playing floor with the goal located at the 10'-0" (3.05m) competition height. Upper backboard support arms shall extend diagonally from the horizontal extension assembly for proper backboard support.

A counterbalanced-type multiple tension spring operating system concealed within the backstop shall allow the backboard to be easily raised or lowered within a five second cycle time without the use of additional tools or power mechanisms. Counterbalance system shall be completely enclosed and out of sight. Goal shall be locked in playing position (8', 9', or 10') by means of an integral, telescoping diagonal brace system equipped with a positive thru pin and pressure lock arrangement to provide stability in all positions. The thru pin mechanism is designed to accept a padlock provided with each unit to lock the backstop at any playing height or storage position to eliminate use or operation by unauthorized individuals.

SPECIFICATIONS CONTINUED ON Page 2 of 2

1135080 - PORTABLE BACKSTOP

HEIGHT-ADJUSTABLE PORTABLE BACKSTOP WITH 8'-0" EXTENSION

SPECIFICATIONS

Backstop shall be furnished with durable protective padding on front vertical support and on front and sides of base. Padding shall consist of a minimum 2" thick shock absorbing foam, covered with a 19oz. (per square yard) vinyl coated polyester scrim material for superior rip and tear resistance. Padding shall be provided with a rigid, solid-core plywood backing for securing to the backstop frame. Entire top of base section shall be enclosed by a matching vinyl covered enclosure.

Overall dimension of backstop in folded, storage position: Height of 6'-8 3/4" (2.05m), Width of 4'-2" (1.27m), Backboard Width of 6'-4" (1.93m), Length of 13'-6 3/4" (4.14m).

Total weight of backstop: 2,400 lbs

All metal parts of backstop shall be furnished with a durable powder coat finish. Specify powder coat color.

BACKBOARD – No. 208 Fully Welded Steel Frame Regulation Glass Backboard – See Page No. B-208 for specifications.

BACKBOARD SAFETY PADDING – No. 00326000 Pro-Pad®– See Page No. B-326 for specifications.
*Backboard pad color will match pad vinyl color selected (white and tan padding receive gray backboard padding).

GOAL – No. 240180 Torq-Flex® Competition Adjustable Goal – See Page No. B-240180 for specifications.

OPTIONS

No. 1134CXX – HORIZONTAL SUPPORT ARM PROTECTIVE PAD (EACH)

NOTE: It is the responsibility of the customer and floor manufacturer to ensure the floor can properly accommodate the weight of a portable backstop. Backstop's game location on the court as well as path of transport on court should be taken into consideration during the design process.

NOTE: Refer to page 5 of the product instruction manual for all applicable product warnings and safety information.

NOTE: Additional springs are needed if a shot clock will be installed on this portable backstop; refer to table below for spring information and see page No. B-113130 and B-113150 for shot clock support specifications.

Additional Springs Required for Shot Clocks	
Shot Clock Weight (lbs)	# of Additional Springs
0-20	1
30-90	2
100-130	3
140-150	4
160+	Not Recommended

CONTRACT PROPOSAL

Bareman and Associates, Inc.

Architectural Building Specialties
 SUITE 100 * 2197 PINE RIDGE DRIVE, JENISON, MI 49428
PHONE: (616) 669-9761 * **FAX:** (616) 669-1696

TO: Phillip M. Francis, Asst. Supt. of Dist. Svcs.

DATE: November 1, 2024

PROJECT: Livonia Public Schools

DESCRIPTION	PRICE
<p><u>Churchill High School – Fieldhouse</u></p> <p><u>Scope of Work:</u></p> <p>Remove (1) existing ceiling hung volleyball system (TBD) Furnish and install (1) Side Lifting Multi-Sport Practice Cage Specifications: 10'(h) x 12'(w) x 70'(l) - Direct Attachment - 3/4 HP, 115 Volt Single Phase Motor – see attached submittal</p> <p><u>NOTE:</u> If batting cage is to be located between truss bays – additional steel must be introduced – at additional cost – field measurement required to confirm attachment method and location.</p> <p><u>Not Included:</u> Electrical – by others Dumpster/Disposal – by others</p>	<p>PROJECT TOTAL: \$16,600.00</p>

This Quotation will remain firm for a period of 30 days.

All material is guaranteed to be as specified above. All work to be completed in a workmanlike manner according to standard practices. Any alteration or deviation from above specifications involving extra

costs, will be executed only upon written orders, and will become an extra charge over and above the estimate. All agreements contingent upon strikes, accidents or delays beyond our control. Owner to carry fire, tornado and other necessary insurance. Our workers are fully covered by Workmen's Compensation Insurance.

TERMS: Net 30 days. PAST DUE balances are subject to late fee of 1-1/2% per month.

BAREMAN AND ASSOCIATES, INC.

BY Gary Ells
 Gary Ells

ACCEPTED BY _____

DATE _____

Side Lifting Multi-Sport Practice Cage

by **DRAPER**

Specifications—Side Lifting Multi-Sport Practice Cage

GENERAL: Cage shall be _____ H x _____ W x _____ L (standard: 10'0" high x 12'0" wide x 70'0" long), complete with frame, net, cables, and electric winch for lowering to floor when in use and raising to underside of roof structure for storage.

I. FRAME

- Frame of cage to be constructed of 1⁵/₈" x .109 wall tubing.
- Fittings to be malleable iron galvanized with case hardened set screws.

II. OPERATION

- Winch to rotate drive pipe shall consist of a 3/4 H.P., 110-120 volt, 60 cycle, single-phase reversible capacitor motor with built-in thermal overload protection. Remote control winch operation includes integral limit switch for upper and lower limit of the cage travel. Key lock, three-position, momentary contact wall switch included. Switch unit shall include a polished wall plate.
- Netting and support frame shall be lifted by 1/8" diameter (7 x 19) galvanized aircraft cable with a breaking strength of 2,100 lbs.
- 2³/₈" Drive pipe to be located above one side of cage and there shall be swivel pulley assemblies to guide lifting cables along other side of cage.

III. NETTING

- Four sides and top of cage shall be 3/4" square, knotless nylon mesh in choice of white (standard) or black.
- 3/8" polypropylene rope shall be sewn into the perimeter of each section of netting.
- Two corners of cage shall be sewn together; two shall be secured using zippers, allowing one long side wall to be raised individually.
- Netting shall be of sufficient length to allow approximately 12' to rest on floor to prevent balls from going under net.
- Netting shall be suitable for use with baseball, softball and golf.

Please Fill In Following Measurements: (See back page)

Height from Bottom of Beam to Top of Finished Floor: _____

Distance Between Beams: _____

Slope: _____

Width of Beams: _____

Practice Cage Placement:

- Parallel to Roof Beams
- Centered Between Two Beams
- Centered Directly Beneath Beams
- Perpendicular to Roof Beams

Netting Color:

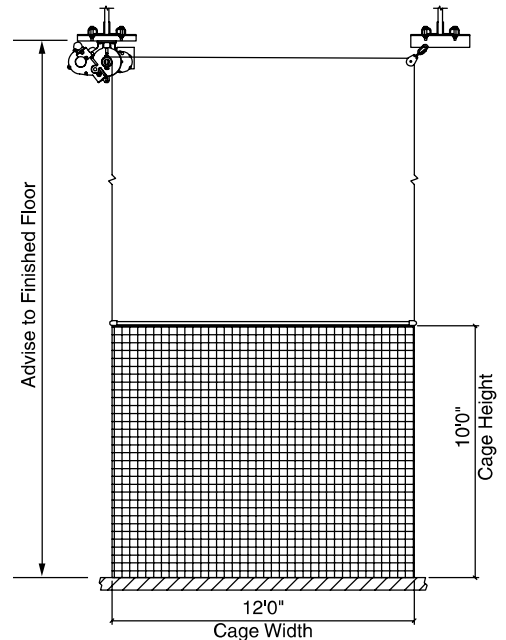
- White (standard)
- Black

Options

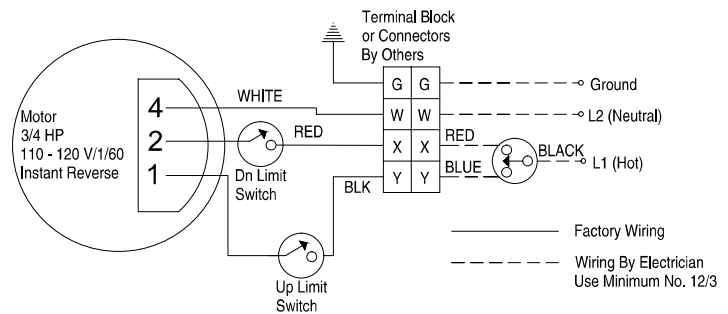
- Wireless Remote Control (see separate sheet)
- EZ Pad Group Control System (see separate sheet)
- Smart Gym Wall Touch Pad Control (see separate sheet)

Section Drawing

Shown Directly under continuous beam



Wiring Diagram



Circuit breaker rated amp. 20 amp.
Fused circuit rated amp. 20 amp.
Minimum Wire Size
90' maximum run. 12 ga.
90' to 140' run. 10 ga.
Over 140'. 8 ga.
Sizes of wall masonry boxes required for single and ganged key switches-- All boxes 2" (w) x 3 ³ / ₄ " (h) x 2 ¹ / ₂ " (d).

DRAPER

411 S. Pearl St., Spiceland, IN 47385 USA ■ 765-987-7999 ■ fax 866-637-5611
e-mail drapercontract@draperinc.com ■ www.draperinc.com

PROJECT: _____

ARCHITECT: _____

CONTRACTOR: _____

SUPPLIER: _____

DATE: _____ REVISED: _____

CONTRACT PROPOSAL

Bareman and Associates, Inc.

Architectural Building Specialties
 SUITE 100 * 2197 PINE RIDGE DRIVE, JENISON, MI 49428
PHONE: (616) 669-9761 * **FAX:** (616) 669-1696

TO: Phillip M. Francis, Asst. Supt. of Dist. Svcs.

DATE: November 1, 2024

PROJECT: Livonia Public Schools

DESCRIPTION	PRICE
<p><u>Churchill High School – Fieldhouse</u></p> <p><u>Scope of Work:</u></p> <p>Remove (1) existing ceiling hung volleyball system (TBD) Furnish and install (1) Center Lifting Multi-Sport Practice Cage Specifications: 10'(h) x 12'(w) x 70'(l) - Direct Attachment - 3/4 HP, 115 Volt Single Phase Motor – see attached submittal</p> <p><u>NOTE:</u> If batting cage is to be located between truss bays – additional steel must be introduced – at additional cost – field measurement required to confirm attachment method and location.</p> <p><u>Not Included:</u> Electrical – by others Dumpster/Disposal – by others</p>	<p>PROJECT TOTAL: \$17,200.00</p>

This Quotation will remain firm for a period of 30 days.

All material is guaranteed to be as specified above. All work to be completed in a workmanlike manner according to standard practices. Any alteration or deviation from above specifications involving extra

costs, will be executed only upon written orders, and will become an extra charge over and above the estimate. All agreements contingent upon strikes, accidents or delays beyond our control. Owner to carry fire, tornado and other necessary insurance. Our workers are fully covered by Workmen's Compensation Insurance.

TERMS: Net 30 days. PAST DUE balances are subject to late fee of 1-1/2% per month.

BAREMAN AND ASSOCIATES, INC.

BY Gary Ells
 Gary Ells

ACCEPTED BY _____

DATE _____

Center Lifting Multi-Sport Practice Cage

by **DRAPER**

Specifications—Center Lifting Multi-Sport Practice Cage

GENERAL: Cage shall be _____ H x _____ W x _____ L (standard: 10'0" high x 12'0" wide x 7'0" long), complete with frame, net, cables, and electric winch for lowering to floor when in use and raising to underside of roof structure for storage. Net sides may be folded onto top of cage for maximum clearance during storage.

I. FRAME

- Frame of cage to be constructed of 1 5/8" x .109 wall tubing.
- Fittings to be malleable iron galvanized with case hardened set screws.
- Frame is supported with 1/8" galvanized aircraft cable termination onto a rotating drive pipe.

II. WINCH and Lift System

- Drive pipe power mechanism shall consist of a 3/4 H.P., 110-120 volt, 60 cycle, single phase reversible capacitor motor with built-in thermal overload protection. The motor and load holding worm gear reducer shall provide speed reduction in the winch. Remote control operation to include integral limit switch to control the upper and lower limit of the curtain travel. Key lock, three position, momentary contact wall switch with safety delay included. Switch unit shall include a general purpose switch box wall plate.
- Netting and support frame shall be lifted by 1/8" diameter (7 x 19) galvanized aircraft cable with a breaking strength of 2,100 lbs.
- 2 3/8" Drive Pipe to be centered in Practice Cage.

III. NETTING

- Four sides and top of cage shall be 3/4" square, knotless nylon mesh netting in choice of white (standard) and black.
- 3/8" polypropylene rope shall be sewn into the perimeter of each section of netting.
- Two corners of the cage shall be sewn together; two shall be secured using zippers, allowing one long sidewall to be raised.
- Netting shall be of sufficient length to allow approximately 12" to rest on floor to prevent balls from going under net.
- Netting shall be suitable for use with baseball, softball and golf.

Please Fill In Following Measurements: (See back page)

Height from Bottom of Beam to Top of Finished Floor: _____

Distance Between Beams: _____

Slope: _____

Width of Beams: _____

Practice Cage Placement:

- Parallel to Roof Beams
- Centered Between Two Beams
- Centered Directly Beneath Beam
- Perpendicular to Roof Beams

Netting Color:

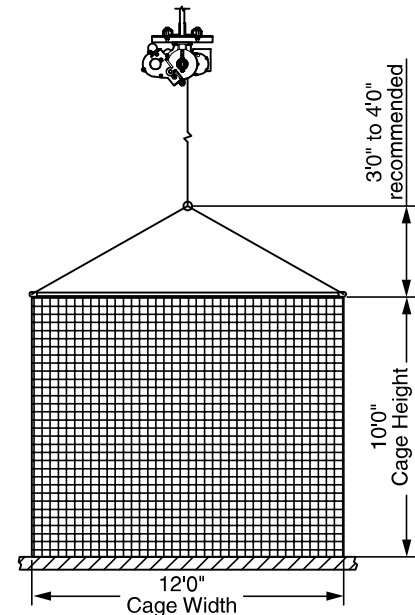
- White (standard)
- Black

Options

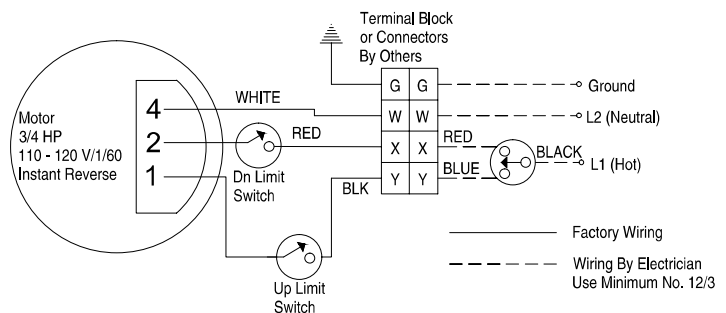
- Wireless Remote Control (see separate sheet)
- EZ Pad Group Control System (see separate sheet)
- Smart Gym Wall Touch Pad Control (see separate sheet)

Section Drawing

Shown Directly under continuous beam



Wiring Diagram



Circuit breaker rated amp. 20 amp.
Fused circuit rated amp. 20 amp.
Minimum Wire Size
90' maximum run. 12 ga.
90' to 140' run. 10 ga.
Over 140'. 8 ga.
Sizes of wall masonry boxes required for single and ganged key switches--
All boxes 2" (w) x 3 3/4" (h) x 2 1/2" (d).

DRAPER

PROJECT: _____

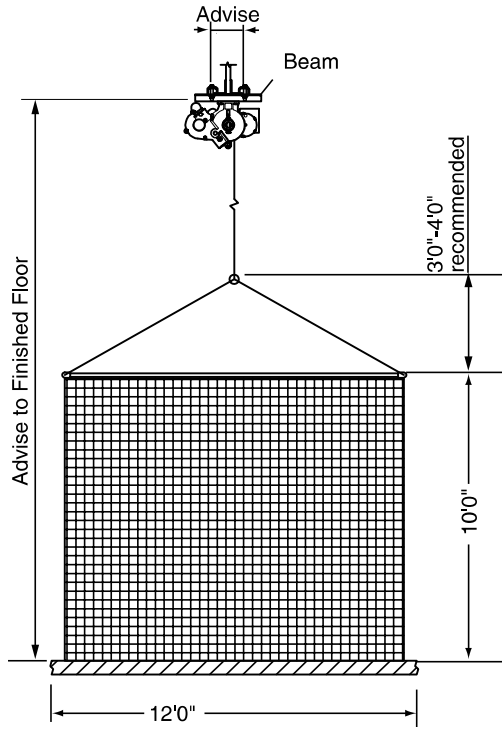
ARCHITECT: _____

CONTRACTOR: _____

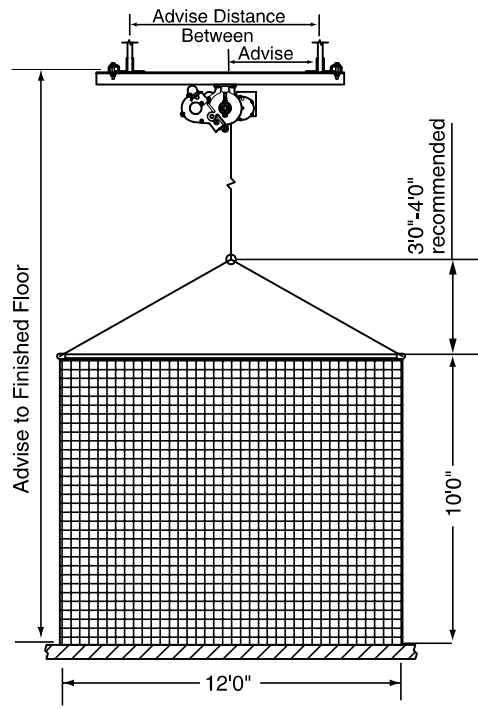
SUPPLIER: _____

DATE: _____ REVISED: _____

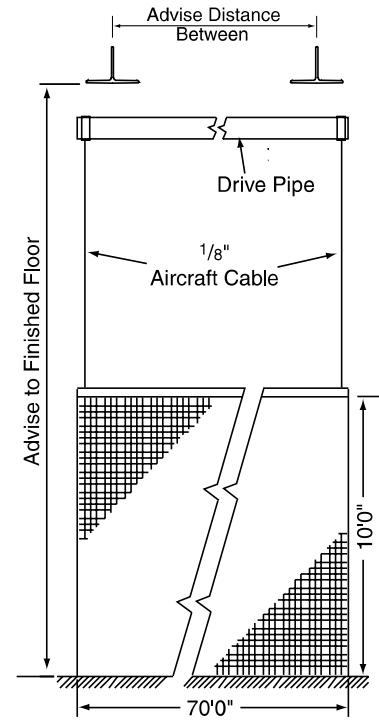
*Parallel Installation
(Directly Beneath Beam) (Typ.)*



*Parallel Installation
(Between Beams)*

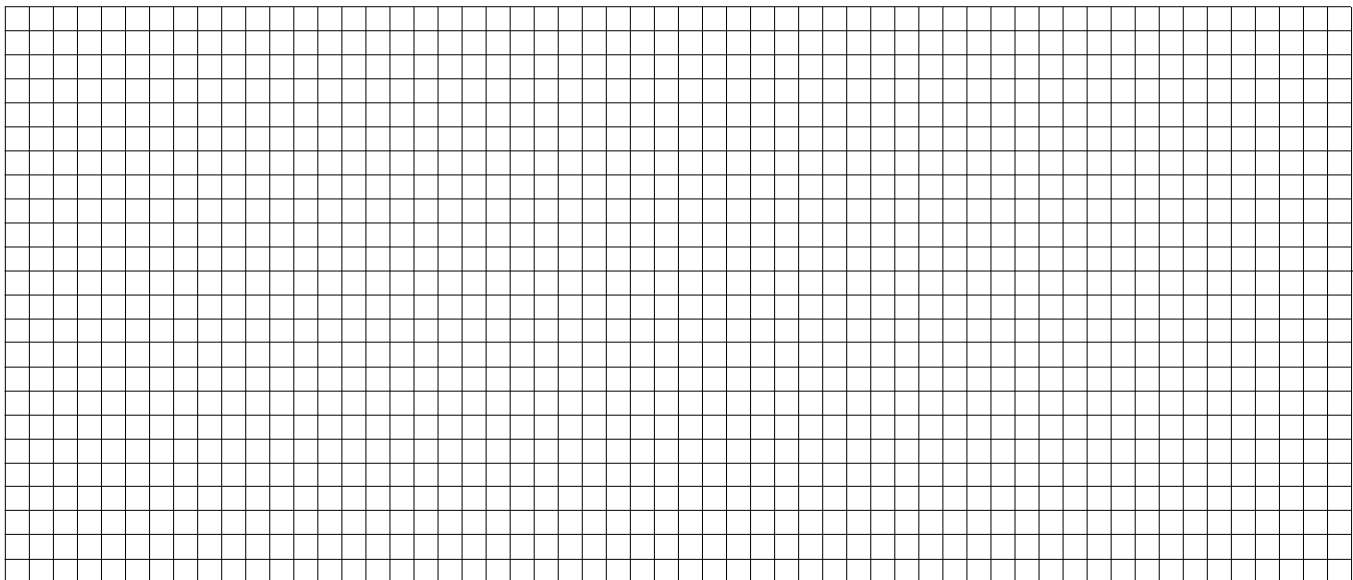


Perpendicular Installation



NOTES:

SKETCH:



CONTRACT PROPOSAL

Bareman and Associates, Inc.

Architectural Building Specialties
 SUITE 100 * 2197 PINE RIDGE DRIVE, JENISON, MI 49428
PHONE: (616) 669-9761 * **FAX:** (616) 669-1696

TO: Phillip M. Francis, Asst. Supt. of Dist. Svcs.

DATE: November 1, 2024

PROJECT: Livonia Public Schools

DESCRIPTION	PRICE
<p><u>Churchill High School – Fieldhouse</u></p> <p><u>Scope of Work:</u></p> <p>Remove (1) existing ceiling hung volleyball system (TBD) Furnish and install (1) Bottom Lifting Multi-Sport Practice Cage Specifications: 10'(h) x 12'(w) x 70'(l) - Direct Attachment - 3/4 HP, 115 Volt Single Phase Motor – see attached submittal</p> <p><u>NOTE:</u> If batting cage is to be located between truss bays – additional steel must be introduced – at additional cost – field measurement required to confirm attachment method and location.</p> <p><u>Not Included:</u> Electrical – by others Dumpster/Disposal – by others</p> <p style="text-align: right;">PROJECT TOTAL:</p>	<p>\$18,900.00</p>

This Quotation will remain firm for a period of 30 days.

All material is guaranteed to be as specified above. All work to be completed in a workmanlike manner according to standard practices. Any alteration or deviation from above specifications involving extra

costs, will be executed only upon written orders, and will become an extra charge over and above the estimate. All agreements contingent upon strikes, accidents or delays beyond our control. Owner to carry fire, tornado and other necessary insurance. Our workers are fully covered by Workmen's Compensation Insurance.

TERMS: Net 30 days. PAST DUE balances are subject to late fee of 1-1/2% per month.

BAREMAN AND ASSOCIATES, INC.

BY Gary Ells
 Gary Ells

ACCEPTED BY _____

DATE _____

Bottom Lifting Multi-Sport Practice Cage

by



Specifications—Bottom Folding Multi-Sport Practice Cage

GENERAL: Cage shall be _____ H x _____ W x _____ L (standard: 10'0" high x 12'0" wide x 70'0" long), complete with frame, net, belts, cables, and electric winch for lowering to floor when in use and raising to underside of roof structure for storage. Net sides shall be automatically lifted near support structure for compact storage and eliminating the need to manually fold netting material to onto top of frame.

I. FRAME

- Frame of cage to be constructed of 1⁵/₈" x .109 wall tubing.
- Fittings to be malleable iron galvanized with case hardened set screws.
- Frame is supported by sixteen 2" wide nylon belts with D-rings spaced 18" on center.

II. OPERATION

- Winch to rotate drive pipe shall consist of a 3/4 H.P., 110-120 volt, 60 cycle, single-phase reversible capacitor motor with built-in thermal overload protection. Remote control winch operation includes integral limit switch for upper and lower limit of the cage travel. Standard key lock, three-position, momentary contact wall switch included. Switch unit shall include a polished wall plate.
- Netting and support frame shall be lifted by 1/8" diameter (7 x 19) galvanized aircraft cable with a breaking strength of 2,100 lbs. Lift cable shall pass through d-rings in nylon belts allowing belts to accordion fold. Lift cables shall also pass through links attached to the netting material on 12" centers causing the netting to lift to the support frame as the cage is folded to the support structure.

III. NETTING

- Four sides and top of cage shall be 3/4" square, knotless nylon mesh in choice of white (standard) or black.
- 3/8" polypropylene rope shall be sewn into the perimeter of each section of netting.
- Netting shall be of sufficient length to allow approximately 12' to rest on floor to prevent balls from going under net.
- Netting shall be suitable for use with baseball, softball and golf.

Please Fill In Following Measurements: (See back page)

Height from Bottom of Beam to Top of Finished Floor: _____

Distance Between Beams: _____

Slope: _____

Width of Beams: _____

Practice Cage Placement:

- Parallel to Roof Beams
- Centered Between Two Beams
 - Centered Directly Beneath Beams
- Perpendicular to Roof Beams

Netting Color:

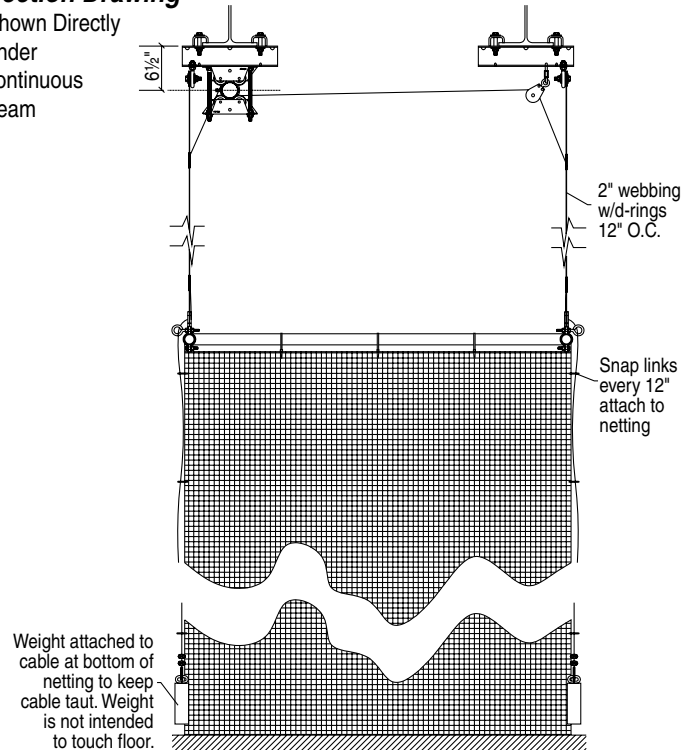
- White (standard)
- Black

Options

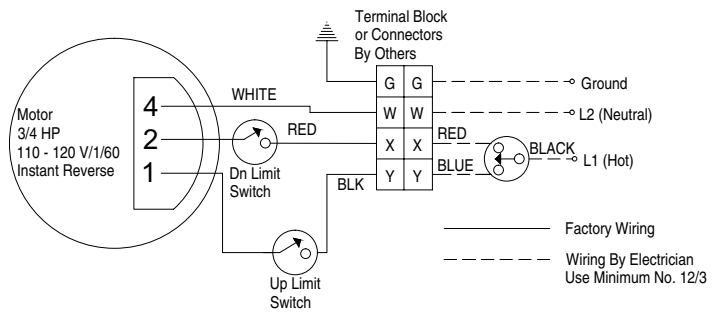
- Wireless Remote Control (see separate sheet)
- EZ Pad Group Control System (see separate sheet)
- Smart Gym Wall Touch Pad Control (see separate sheet)

Section Drawing

Shown Directly under continuous beam



Wiring Diagram



Circuit breaker rated amp. 20 amp.
Fused circuit rated amp. 20 amp.
Minimum Wire Size
90' maximum run. 12 ga.
90' to 140' run. 10 ga.
Over 140'. 8 ga.
Sizes of wall masonry boxes required for single and ganged key switches--
All boxes 2" (w) x 3 ³ / ₄ " (h) x 2 ¹ / ₂ " (d).

PROJECT: _____

ARCHITECT: _____

CONTRACTOR: _____

SUPPLIER: _____

DATE: _____ REVISED: _____



CONTRACT PROPOSAL

Bareman and Associates, Inc.

Architectural Building Specialties
 SUITE 100 * 2197 PINE RIDGE DRIVE, JENISON, MI 49428
 PHONE: (616) 669-9761 * FAX: (616) 669-1696

TO: Phillip M. Francis, Asst. Supt. of Dist. Svcs.

DATE: November 1, 2024

PROJECT: Livonia Public Schools

DESCRIPTION	PRICE
<p><u>Franklin High School – Fieldhouse</u></p> <p><u>Scope of Work: Replacement Portable Basketball Hoops – Schelde Brand</u></p> <p><u>Includes:</u></p> <p>(6) Schelde, Super SAM Model #245 – includes board, goal and hardware</p> <p>(6) Schelde, Super SAM Model #245 – 5 Piece pad sets, including custom graphics (school mascot or logo)</p> <p>(6) Schelde, Bolt-On-Backboard Padding – Color: TBD</p> <p>Delivery and Installation</p> <p><u>Not included:</u></p> <p>Removal / Disposal / Recycling of Existing Hoops – by others</p>	
PROJECT TOTAL:	\$94,500.00

This Quotation will remain firm for a period of 30 days.

All material is guaranteed to be as specified above. All work to be completed in a workmanlike manner according to standard practices. Any alteration or deviation from above specifications involving extra

costs, will be executed only upon written orders, and will become

an extra charge over and above the estimate. All agreements contingent upon strikes, accidents or delays beyond our control. Owner to carry fire, tornado and other necessary insurance. Our workers are fully covered by Workmen's Compensation Insurance.

TERMS: Net 30 days. PAST DUE balances are subject to late fee of 1-1/2% per month.

BAREMAN AND ASSOCIATES, INC.

BY Gary Ells
 Gary Ells

ACCEPTED BY _____

DATE _____

SUPER SAM 245

BASKETBALL UNIT PRODUCT BREAKDOWN



LEVEL 3



STORAGE



FULL PROJECTION

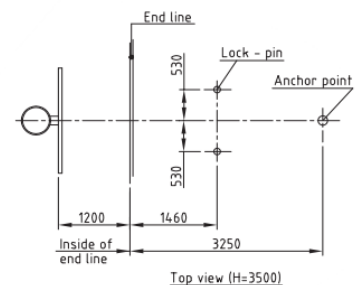
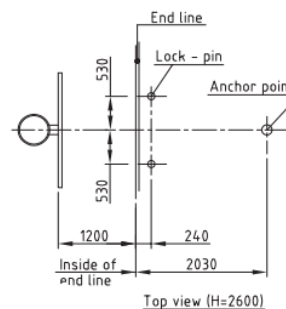
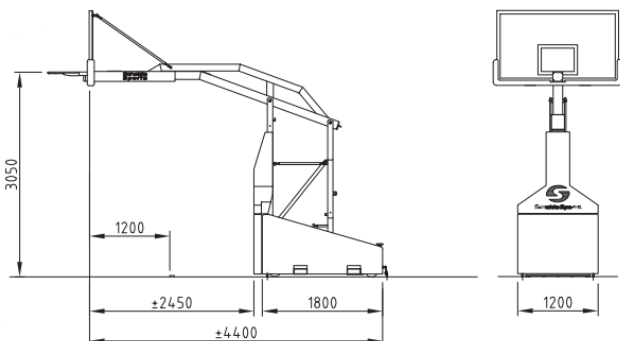
SUPER SAM 245 (1612010)

Setting the world standard for excellence. Designed and manufactured by the inventors of the original SAM (Spring Assisted Mechanism) and DSF (Dynamic Sub Frame).

FEATURES

- Complete portable backstop unit.
- 8' projection.
- One step easy set-up system, within 5 seconds 1 person can set the basketball backstop into the right game position
- FIBA Level 3 approved.
- Strong and stable backstop, white coated high-tensile strength steel frame. Lifetime maintenance free pivot bearings, 100% enclosed counterweights.
- 2 wheels in the front and 2 triple fixed wheels in the rear for optimal weight distribution.
- Tempered glass backboard.
- 180° multidirectional breakaway ring.
- Sturdy nylon Anti-Whip basketball net.
- Safety padding for the front, sides, backboard and neck. Come in a variety of color and can be customized.
- Floor hook at the rear of the frame. 2 positioning pins for quick and precise installation on the court. Floor connector set included: for both PU floors and suspended floors.

FOR WORLD-CLASS VENUES AND HIGHEST LEVEL OF COMPETITION



CONTRACT PROPOSAL

Bareman and Associates, Inc.

Architectural Building Specialties
 SUITE 100 * 2197 PINE RIDGE DRIVE, JENISON, MI 49428
PHONE: (616) 669-9761 * **FAX:** (616) 669-1696

TO: Phillip M. Francis, Asst. Supt. of Dist. Svcs.

DATE: November 1, 2024

PROJECT: Livonia Public Schools

DESCRIPTION	PRICE
<p><u>Franklin High School – Fieldhouse</u></p> <p><u>Scope of Work: Replacement Portable Basketball Hoops – Draper Brand</u></p> <p><u>Includes:</u></p> <p>(6) Draper, Sharpshooter 96 – includes #503136 backboard, #503040 breakaway goal and #5032XX bolt-on edge padding (color: TBD); vinyl covered base and upright padding – See attached submittal</p> <p>Delivery and Installation</p> <p><u>Not included:</u></p> <p>Removal / Disposal / Recycling of Existing Hoops – by others</p> <p style="text-align: right;">PROJECT TOTAL:</p>	<p>\$94,150.00</p>

This Quotation will remain firm for a period of 30 days.

All material is guaranteed to be as specified above. All work to be completed in a workmanlike manner according to standard practices. Any alteration or deviation from above specifications involving extra

costs, will be executed only upon written orders, and will become

an extra charge over and above the estimate. All agreements contingent upon strikes, accidents or delays beyond our control. Owner to carry fire, tornado and other necessary insurance. Our workers are fully covered by Workmen’s Compensation Insurance.

TERMS: Net 30 days. PAST DUE balances are subject to late fee of 1-1/2% per month.

BAREMAN AND ASSOCIATES, INC.

BY Gary Ells
 Gary Ells

ACCEPTED BY _____

DATE _____

EZ-Sharpshooter 96 Portable Basketball System - 503019

Specifications

Product Description

_____ Portable backstop system shall be 503019 by Draper, Inc., Spiceland, IN.

EZ-Sharpshooter 96 Portable Basketball System shall provide a competition size 42" x 72" glass backboard and competition breakaway goal on a fully padded portable base when rim was set at 10'. Face of backboard shall be a minimum of 96" from the front of the padded base. Backboard shall be ½" tempered glass with official white border and shooter's square and extruded aluminum frame. Backboard shall be designed so that the basketball rim mounts through the glass into the horizontal extension of the base to reduce stress on the glass during play.

Breakaway rim shall be designed to flex with equal pressure in any direction around the front 180° circumference of the ring and have a tubular net attachment system.

Backboard padding shall be bolt-on molded urethane with steel inserts molded into the padding. Padding shall be available in choice of 12 colors.

Entire system shall meet all rules for high school and collegiate play.

Backboard and goal shall be suspended by means of a pivoting, welded steel structure that uses extension spring technology to counterbalance the weight of the backboard and goal to raise and lower the goal for play and storage. Primary structural steel components shall be a minimum of 4" x 4" and 4" x 2" tubing with a minimum ¼" wall thickness. Horizontal extension arm shall be reinforced by no less than two ¼" thick steel members for no less than 7' of the arm length. All pivot points to facilitate lowering for storage shall be 1¼" steel pivot pins riding on self lubricating bronze bearings. Welded base shall provide a fully enclosed ballast compartment that is properly loaded with steel ballast at the factory.

Goal shall be raised and lowered by one person and locked at the desired rim height or storage position by means of a telescoping height adjustment mechanism that has permanent rim height markings. Rim shall be capable of height settings from 7' to 10' in 6" increments.

All steel components shall have a textured white polyester powder coated finish.

Entire basketball system shall rest on the floor when in the storage position on six (6), 8" diameter, 2" wide urethane casters. When rolled into playing position, front of system shall be lifted from the front wheels onto two 4" diameter urethane stabilizer pads.

Stabilizer pads shall be lowered by means of a threaded lead screw located at the top front corners of the base.

Padding: Entire front and sides of the base and front of the structural upright shall be padded a minimum of 2" thick in choice of 12 colors. Lower surface of horizontal extension arm shall be padded to a distance of 60" from the rear of the backboard.

Front locator pins and floor locator bushings and rear hold-downs shall be standard with the system. **System weight** shall be approximately 2,350 lbs.

The padded base shall be approximately 40" wide x 74" long. **The total stored dimension** shall be approximately 76" wide x 165" long x 78" high.

Components shall carry the following minimum warranties.
Backboard, limited lifetime; Structure, 10-year limited;
Backboard Edge Padding, 10-year and Breakaway Goal, 5-year.



Please Mark Appropriate Selections

Select Padding Color

Select Color:

- | | | |
|---|---|--|
| <input type="checkbox"/> 01 White | <input type="checkbox"/> 02 Marine Blue | <input type="checkbox"/> 04 Red |
| <input type="checkbox"/> 05 Beige | <input type="checkbox"/> 06 Orange | <input type="checkbox"/> 07 Yellow |
| <input type="checkbox"/> 08 Grey | <input type="checkbox"/> 09 Maroon | <input type="checkbox"/> 10 Royal Blue |
| <input type="checkbox"/> 11 Black | <input type="checkbox"/> 12 Purple | <input type="checkbox"/> 13 Forest Green |
| <input type="checkbox"/> 14 Kelly Green | <input type="checkbox"/> 15 Navy Blue | |

* These colors may require longer lead time. Contact Draper, Inc. for details



PROJECT: _____

ARCHITECT: _____

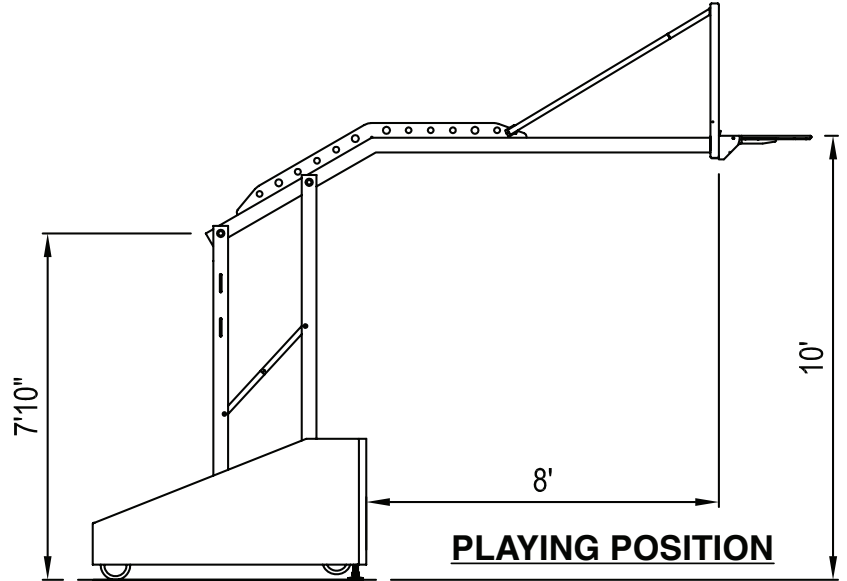
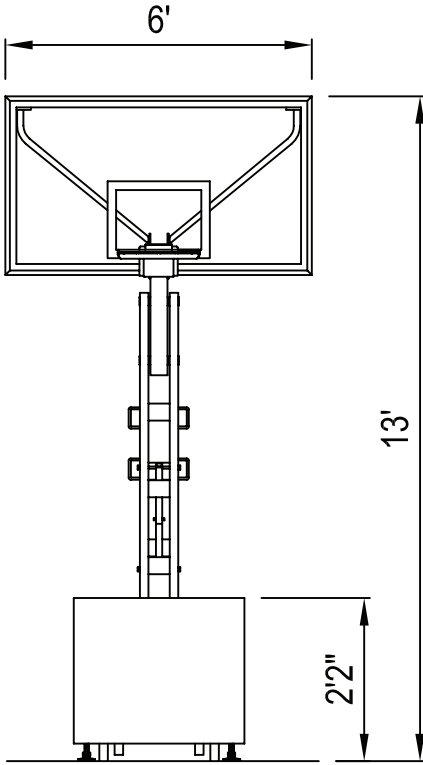
CONTRACTOR: _____

SUPPLIER: _____

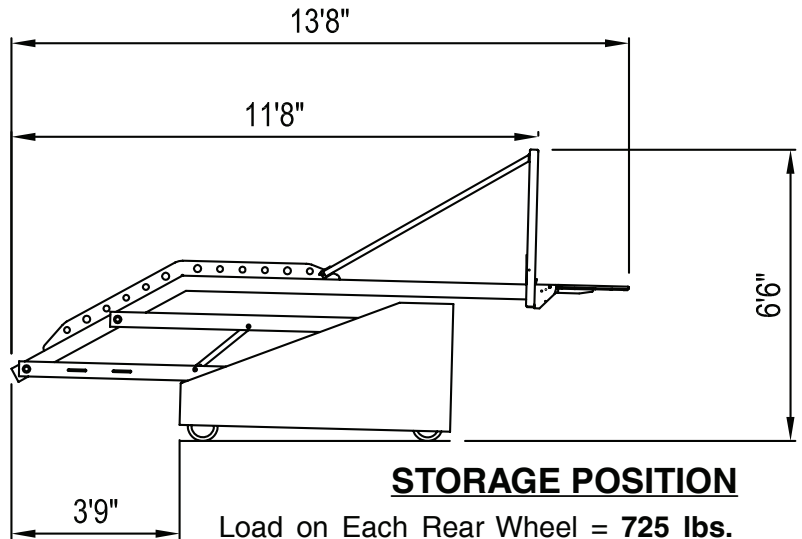
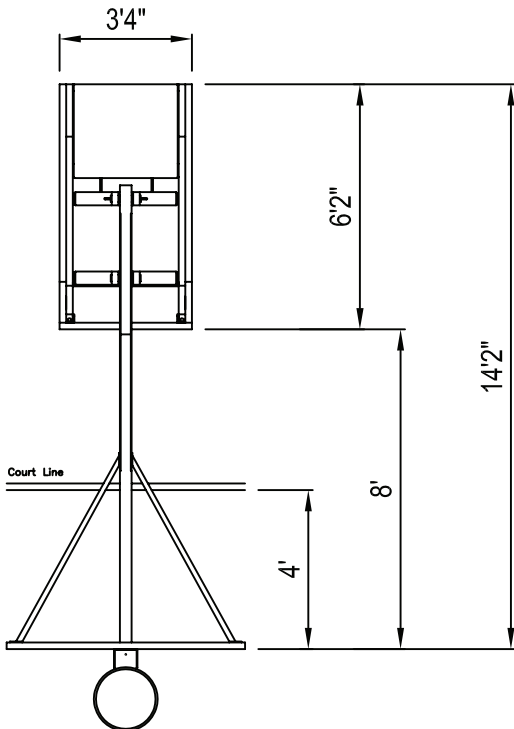
DATE: _____ REVISED: _____

EZ-Sharpshooter 96 Portable Basketball System - 503019

SUBMITTAL TECHNICAL SPECIFICATIONS



Load on Each Rear Wheel = 465 lbs.
Load on Each Front Pad = 690 lbs.



Load on Each Rear Wheel = 725 lbs.
Load on Each Front Pad = 430 lbs.



PROJECT: _____

ARCHITECT: _____

CONTRACTOR: _____

SUPPLIER: _____

DATE: _____ REVISED: _____



PO Box 841393
 Dallas, TX 75284-1393
 Phone: 800-527-7510 Fax: 800-899-0149
 Visit us at www.bsnsports.com

Quote	
Cart #:	12426516
Purchase Order #:	Portable Basketball System
Cart Name:	Porter Basketball Systems
Quote Date:	10/24/2024
Quote Valid-to:	11/22/2024
Payment Terms:	NT30
Ship Via:	
Ordered By:	Dusty Hall

Contact Your Rep

Aaron Wick Email: awick@bsnsports.com | Phone:

Sold to
1442510
FRANKLIN HIGH SCHOOL
 3100 JOY RD
 LIVONIA MI 48150-3916
 USA

Ship To
1442510
FRANKLIN HIGH SCHOOL
 Dusty Hall
 3100 JOY RD
 LIVONIA MI 48150-3916
 USA

Payer
1442510
FRANKLIN HIGH SCHOOL
 3100 JOY RD
 LIVONIA MI 48150-3916
 USA

Item Description	Qty	Unit Price	Total
Navy/Red-1135 PORTABLE PAD COLOR FRME COLOR GFX Item # - PR1135080CSP	6 EA	\$ 16,999.99	\$ 101,999.94
6			

Subtotal:	\$101,999.94
Other:	\$0.00
Freight:	\$1,200.00
Sales Tax:	\$0.00
Order Total:	\$103,199.94
Payment/Credit Applied:	\$0.00
Order Total:	\$103,199.94

1135080 - PORTABLE BACKSTOP

HEIGHT-ADJUSTABLE PORTABLE BACKSTOP WITH 8'-0" EXTENSION

SPECIFICATIONS

PORTER No. 1135080 HEIGHT ADJUSTABLE PORTABLE BACKSTOP WITH 6'-0" x 3'-6" RECTANGULAR GLASS BACKBOARD

Backstop shall be designed for use at official goal height setting of 10'-0" (3.05m) with an integral height adjustment locking mechanism which also allows the unit to be used and locked into position at 8'-0" (2.44m) and 9'-0" (2.75m) goal heights. Unit shall be positioned on the floor by means of two (2) hand operated, retractable, positioning floor locks.

Base of unit shall be 4'-2" (1.27m) in width x 6' 2-3/4" (1.90m) in length (including padding). Base shall be constructed of heavy-wall, 3" x 2" (7.6cm x 5cm) structural steel tubing. Base shall be furnished complete with compact, solid steel ballast (1000lbs – 454kg) weights concealed and nested inside frame of the unit. Base frame shall incorporate four (4) non-marking, rubber tread caster wheels equipped with roller bearings for ease of operation. Front two casters shall be 5" (12.7cm) diameter, single-wheel swivel-type and rear two casters shall be 8" (20.3cm) diameter, dual-wheel rigid-type.

Front and rear vertical support assemblies shall be fabricated of heavy-wall 4" x 3" (10.2cm x 7.6cm) steel sections, diagonally braced by 3" x 2" (7.6cm x 5cm) structural steel tubing sections for maximum rigidity. Upper and lower ends of vertical supports shall pivot in adjustable, oil impregnated bronze bushings for maintenance free operation.

Center horizontal backboard support (Center-Strut®) shall be of a 6" x 4" (15.2cm x 10.2cm) heavy-wall steel section extending to a heavy steel mounting plate behind the backboard. Goal shall bolt through sleeves in the glass backboard into said mounting plate to eliminate any strain on the glass backboard during slam- dunk type maneuvers. Two additional backboard mounting bolts are provided to hold backboard in position, should the four goal mounting bolts be removed for replacement of the goal. This direct goal mount feature conforms to NCAA rule (BR-36-14) for basket-ring mounting. Extension assembly shall provide a full 8'-0" (2.44m) from the face of the backboard to the front padding, and 9'-7" (2.92m) vertical dimension from the playing floor with the goal located at the 10'-0" (3.05m) competition height. Upper backboard support arms shall extend diagonally from the horizontal extension assembly for proper backboard support.

A counterbalanced-type multiple tension spring operating system concealed within the backstop shall allow the backboard to be easily raised or lowered within a five second cycle time without the use of additional tools or power mechanisms. Counterbalance system shall be completely enclosed and out of sight. Goal shall be locked in playing position (8', 9', or 10') by means of an integral, telescoping diagonal brace system equipped with a positive thru pin and pressure lock arrangement to provide stability in all positions. The thru pin mechanism is designed to accept a padlock provided with each unit to lock the backstop at any playing height or storage position to eliminate use or operation by unauthorized individuals.

SPECIFICATIONS CONTINUED ON Page 2 of 2

1135080 - PORTABLE BACKSTOP

HEIGHT-ADJUSTABLE PORTABLE BACKSTOP WITH 8'-0" EXTENSION

SPECIFICATIONS

Backstop shall be furnished with durable protective padding on front vertical support and on front and sides of base. Padding shall consist of a minimum 2" thick shock absorbing foam, covered with a 19oz. (per square yard) vinyl coated polyester scrim material for superior rip and tear resistance. Padding shall be provided with a rigid, solid-core plywood backing for securing to the backstop frame. Entire top of base section shall be enclosed by a matching vinyl covered enclosure.

Overall dimension of backstop in folded, storage position: Height of 6'-8 3/4" (2.05m), Width of 4'-2" (1.27m), Backboard Width of 6'-4" (1.93m), Length of 13'-6 3/4" (4.14m).

Total weight of backstop: 2,400 lbs

All metal parts of backstop shall be furnished with a durable powder coat finish. Specify powder coat color.

BACKBOARD – No. 208 Fully Welded Steel Frame Regulation Glass Backboard – See Page No. B-208 for specifications.

BACKBOARD SAFETY PADDING – No. 00326000 Pro-Pad®– See Page No. B-326 for specifications.
*Backboard pad color will match pad vinyl color selected (white and tan padding receive gray backboard padding).

GOAL – No. 240180 Torq-Flex® Competition Adjustable Goal – See Page No. B-240180 for specifications.

OPTIONS

No. 1134CXX – HORIZONTAL SUPPORT ARM PROTECTIVE PAD (EACH)

NOTE: It is the responsibility of the customer and floor manufacturer to ensure the floor can properly accommodate the weight of a portable backstop. Backstop's game location on the court as well as path of transport on court should be taken into consideration during the design process.

NOTE: Refer to page 5 of the product instruction manual for all applicable product warnings and safety information.

NOTE: Additional springs are needed if a shot clock will be installed on this portable backstop; refer to table below for spring information and see page No. B-113130 and B-113150 for shot clock support specifications.

Additional Springs Required for Shot Clocks	
Shot Clock Weight (lbs)	# of Additional Springs
0-20	1
30-90	2
100-130	3
140-150	4
160+	Not Recommended

CONTRACT PROPOSAL

Bareman and Associates, Inc.

Architectural Building Specialties
 SUITE 100 * 2197 PINE RIDGE DRIVE, JENISON, MI 49428
 PHONE: (616) 669-9761 * FAX: (616) 669-1696

TO: Phillip M. Francis, Asst. Supt. of Dist. Svcs.

DATE: November 1, 2024

PROJECT: Livonia Public Schools

DESCRIPTION	PRICE
<p><u>Franklin High School – Fieldhouse</u></p> <p><u>Scope of Work:</u></p> <p>Remove (1) existing ceiling hung volleyball system (TBD) Furnish and install (1) Side Lifting Multi-Sport Practice Cage Specifications: 10'(h) x 12'(w) x 70'(l) - Direct Attachment - 3/4 HP, 115 Volt Single Phase Motor – see attached submittal</p> <p><u>NOTE:</u> If batting cage is to be located between truss bays – additional steel must be introduced – at additional cost – field measurement required to confirm attachment method and location.</p> <p><u>Not Included:</u> Electrical – by others Dumpster/Disposal – by others</p>	<p>PROJECT TOTAL: \$16,600.00</p>

This Quotation will remain firm for a period of 30 days.

All material is guaranteed to be as specified above. All work to be completed in a workmanlike manner according to standard practices. Any alteration or deviation from above specifications involving extra

costs, will be executed only upon written orders, and will become an extra charge over and above the estimate. All agreements contingent upon strikes, accidents or delays beyond our control. Owner to carry fire, tornado and other necessary insurance. Our workers are fully covered by Workmen's Compensation Insurance.

TERMS: Net 30 days. PAST DUE balances are subject to late fee of 1-1/2% per month.

BAREMAN AND ASSOCIATES, INC.

BY Gary Ells
 Gary Ells

ACCEPTED BY _____

DATE _____

Side Lifting Multi-Sport Practice Cage

by

DRAPER

Specifications—Side Lifting Multi-Sport Practice Cage

GENERAL: Cage shall be _____ H x _____ W x _____ L (standard: 10'0" high x 12'0" wide x 70'0" long), complete with frame, net, cables, and electric winch for lowering to floor when in use and raising to underside of roof structure for storage.

I. FRAME

- Frame of cage to be constructed of 1⁵/₈" x .109 wall tubing.
- Fittings to be malleable iron galvanized with case hardened set screws.

II. OPERATION

- Winch to rotate drive pipe shall consist of a 3/4 H.P., 110-120 volt, 60 cycle, single-phase reversible capacitor motor with built-in thermal overload protection. Remote control winch operation includes integral limit switch for upper and lower limit of the cage travel. Key lock, three-position, momentary contact wall switch included. Switch unit shall include a polished wall plate.
- Netting and support frame shall be lifted by 1/8" diameter (7 x 19) galvanized aircraft cable with a breaking strength of 2,100 lbs.
- 2³/₈" Drive pipe to be located above one side of cage and there shall be swivel pulley assemblies to guide lifting cables along other side of cage.

III. NETTING

- Four sides and top of cage shall be 3/4" square, knotless nylon mesh in choice of white (standard) or black.
- 3/8" polypropylene rope shall be sewn into the perimeter of each section of netting.
- Two corners of cage shall be sewn together; two shall be secured using zippers, allowing one long side wall to be raised individually.
- Netting shall be of sufficient length to allow approximately 12' to rest on floor to prevent balls from going under net.
- Netting shall be suitable for use with baseball, softball and golf.

Please Fill In Following Measurements: (See back page)

Height from Bottom of Beam to Top of Finished Floor: _____

Distance Between Beams: _____

Slope: _____

Width of Beams: _____

Practice Cage Placement:

- Parallel to Roof Beams
- Centered Between Two Beams
- Centered Directly Beneath Beams
- Perpendicular to Roof Beams

Netting Color:

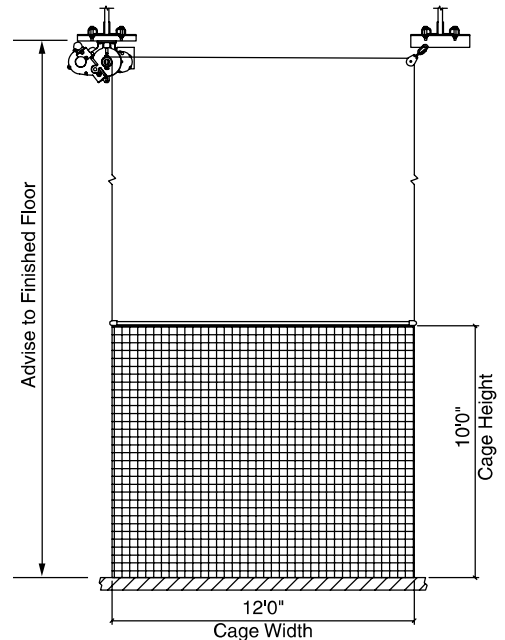
- White (standard)
- Black

Options

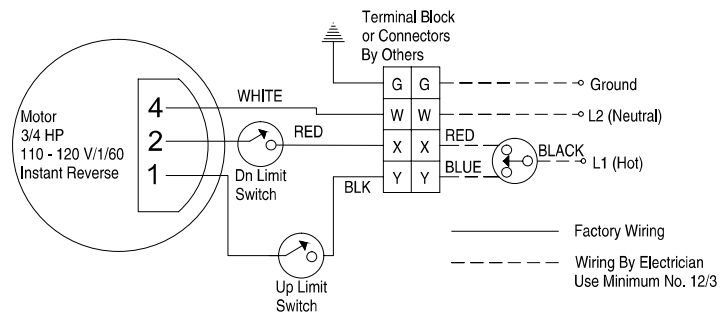
- Wireless Remote Control (see separate sheet)
- EZ Pad Group Control System (see separate sheet)
- Smart Gym Wall Touch Pad Control (see separate sheet)

Section Drawing

Shown Directly under continuous beam



Wiring Diagram



Circuit breaker rated amp. 20 amp.
Fused circuit rated amp. 20 amp.
Minimum Wire Size
90' maximum run. 12 ga.
90' to 140' run. 10 ga.
Over 140'. 8 ga.
Sizes of wall masonry boxes required for single and ganged key switches-- All boxes 2" (w) x 3 ³ / ₄ " (h) x 2 ¹ / ₂ " (d).

PROJECT: _____

ARCHITECT: _____

CONTRACTOR: _____

SUPPLIER: _____

DATE: _____ REVISED: _____

DRAPER

411 S. Pearl St., Spiceland, IN 47385 USA ■ 765-987-7999 ■ fax 866-637-5611
e-mail drapercontract@draperinc.com ■ www.draperinc.com

CONTRACT PROPOSAL

Bareman and Associates, Inc.

Architectural Building Specialties
 SUITE 100 * 2197 PINE RIDGE DRIVE, JENISON, MI 49428
PHONE: (616) 669-9761 * **FAX:** (616) 669-1696

TO: Phillip M. Francis, Asst. Supt. of Dist. Svcs.

DATE: November 1, 2024

PROJECT: Livonia Public Schools

DESCRIPTION	PRICE
<p><u>Franklin High School – Fieldhouse</u></p> <p><u>Scope of Work:</u></p> <p>Remove (1) existing ceiling hung volleyball system (TBD) Furnish and install (1) Center Lifting Multi-Sport Practice Cage Specifications: 10'(h) x 12'(w) x 70'(l) - Direct Attachment - 3/4 HP, 115 Volt Single Phase Motor – see attached submittal</p> <p><u>NOTE:</u> If batting cage is to be located between truss bays – additional steel must be introduced – at additional cost – field measurement required to confirm attachment method and location.</p> <p><u>Not Included:</u> Electrical – by others Dumpster/Disposal – by others</p>	<p>PROJECT TOTAL: \$17,200.00</p>

This Quotation will remain firm for a period of 30 days.

All material is guaranteed to be as specified above. All work to be completed in a workmanlike manner according to standard practices. Any alteration or deviation from above specifications involving extra

costs, will be executed only upon written orders, and will become an extra charge over and above the estimate. All agreements contingent upon strikes, accidents or delays beyond our control. Owner to carry fire, tornado and other necessary insurance. Our workers are fully covered by Workmen's Compensation Insurance.

TERMS: Net 30 days. PAST DUE balances are subject to late fee of 1-1/2% per month.

BAREMAN AND ASSOCIATES, INC.

BY Gary Ells
 Gary Ells

ACCEPTED BY _____

DATE _____

Center Lifting Multi-Sport Practice Cage

by **DRAPER**

Specifications—Center Lifting Multi-Sport Practice Cage

GENERAL: Cage shall be _____ H x _____ W x _____ L (standard: 10'0" high x 12'0" wide x 7'0" long), complete with frame, net, cables, and electric winch for lowering to floor when in use and raising to underside of roof structure for storage. Net sides may be folded onto top of cage for maximum clearance during storage.

I. FRAME

- Frame of cage to be constructed of 1 5/8" x .109 wall tubing.
- Fittings to be malleable iron galvanized with case hardened set screws.
- Frame is supported with 1/8" galvanized aircraft cable termination onto a rotating drive pipe.

II. WINCH and Lift System

- Drive pipe power mechanism shall consist of a 3/4 H.P., 110-120 volt, 60 cycle, single phase reversible capacitor motor with built-in thermal overload protection. The motor and load holding worm gear reducer shall provide speed reduction in the winch. Remote control operation to include integral limit switch to control the upper and lower limit of the curtain travel. Key lock, three position, momentary contact wall switch with safety delay included. Switch unit shall include a general purpose switch box wall plate.
- Netting and support frame shall be lifted by 1/8" diameter (7 x 19) galvanized aircraft cable with a breaking strength of 2,100 lbs.
- 2 3/8" Drive Pipe to be centered in Practice Cage.

III. NETTING

- Four sides and top of cage shall be 3/4" square, knotless nylon mesh netting in choice of white (standard) and black.
- 3/8" polypropylene rope shall be sewn into the perimeter of each section of netting.
- Two corners of the cage shall be sewn together; two shall be secured using zippers, allowing one long sidewall to be raised.
- Netting shall be of sufficient length to allow approximately 12" to rest on floor to prevent balls from going under net.
- Netting shall be suitable for use with baseball, softball and golf.

Please Fill In Following Measurements: (See back page)

Height from Bottom of Beam to Top of Finished Floor: _____

Distance Between Beams: _____

Slope: _____

Width of Beams: _____

Practice Cage Placement:

- Parallel to Roof Beams
- Centered Between Two Beams
- Centered Directly Beneath Beam
- Perpendicular to Roof Beams

Netting Color:

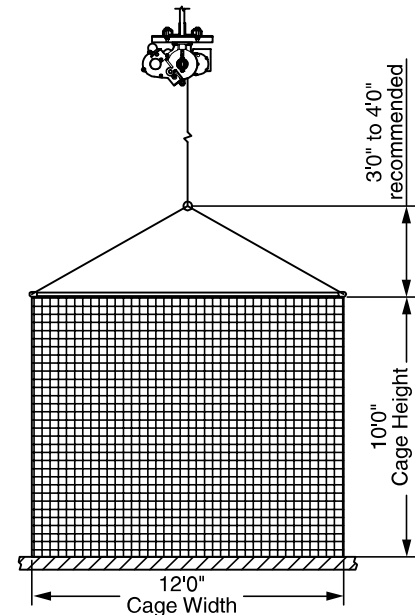
- White (standard)
- Black

Options

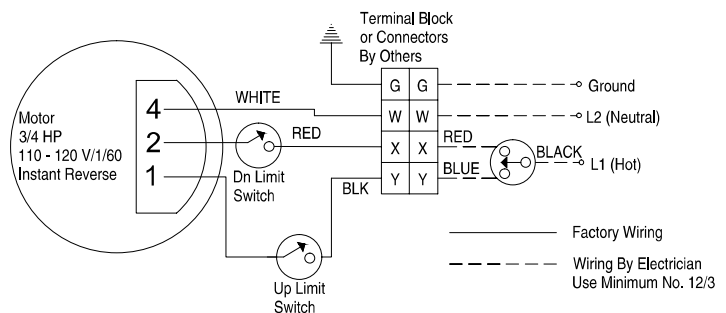
- Wireless Remote Control (see separate sheet)
- EZ Pad Group Control System (see separate sheet)
- Smart Gym Wall Touch Pad Control (see separate sheet)

Section Drawing

Shown Directly under continuous beam



Wiring Diagram



Circuit breaker rated amp. 20 amp.
Fused circuit rated amp. 20 amp.

Minimum Wire Size
90' maximum run. 12 ga.
90' to 140' run. 10 ga.
Over 140'. 8 ga.

Sizes of wall masonry boxes required for single and ganged key switches--
All boxes 2" (w) x 3 3/4" (h) x 2 1/2" (d).

PROJECT: _____

ARCHITECT: _____

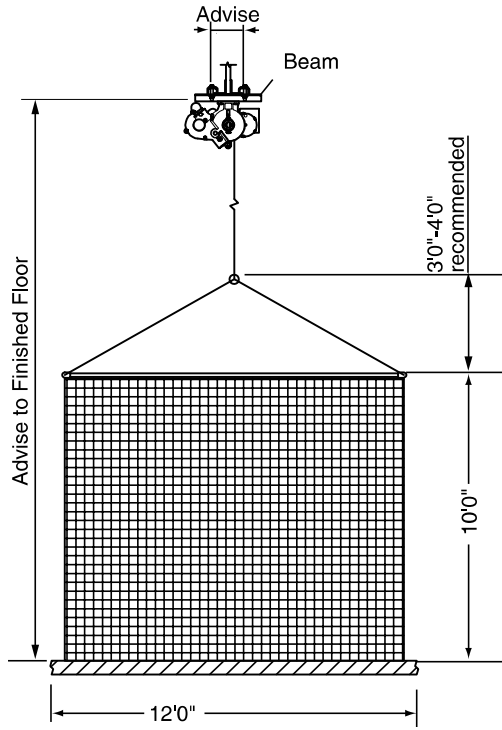
CONTRACTOR: _____

SUPPLIER: _____

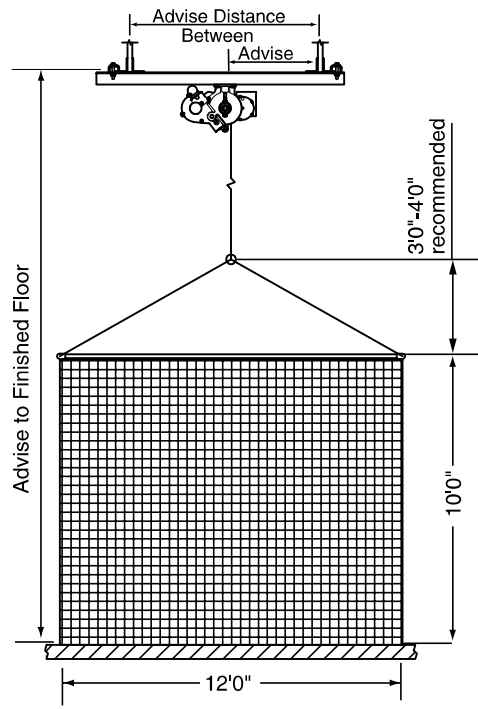
DATE: _____ REVISED: _____

DRAPER

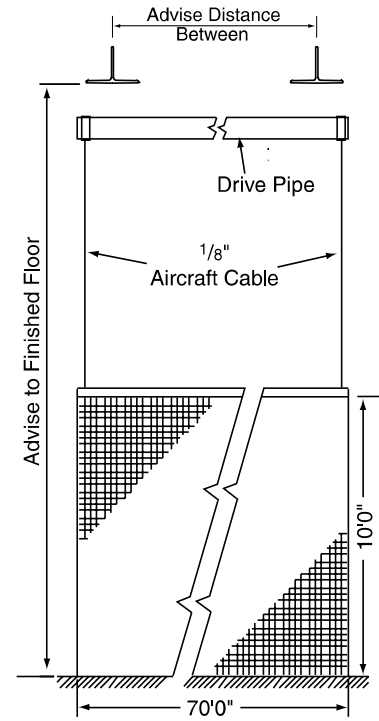
*Parallel Installation
(Directly Beneath Beam) (Typ.)*



*Parallel Installation
(Between Beams)*

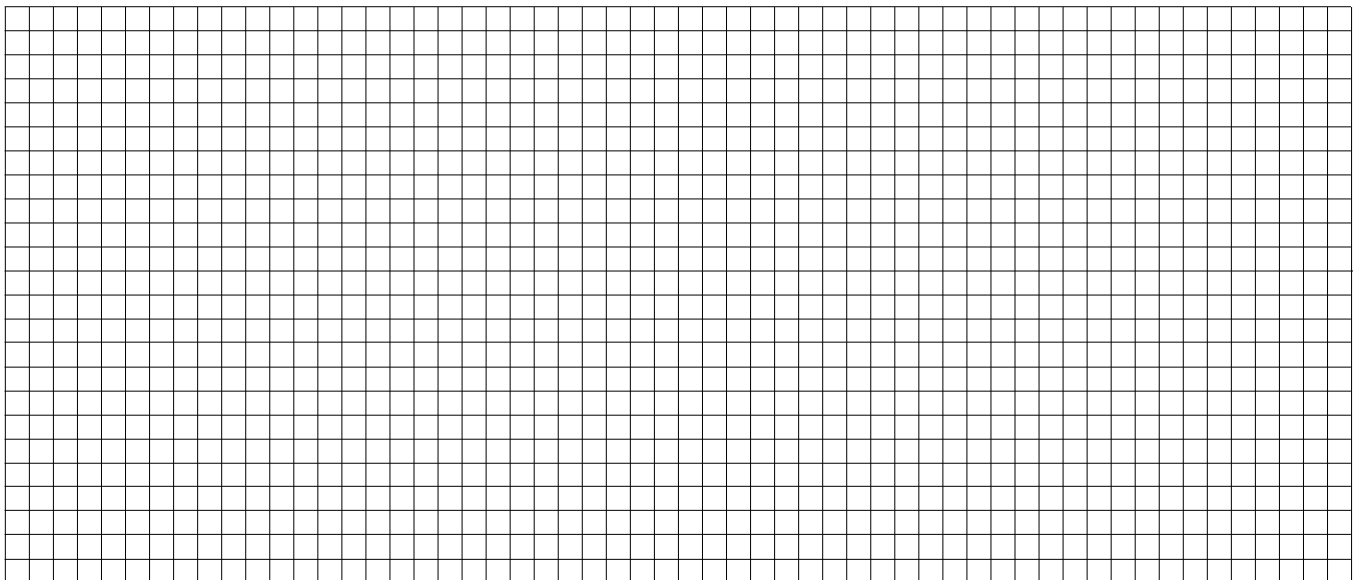


Perpendicular Installation



NOTES:

SKETCH:



CONTRACT PROPOSAL

Bareman and Associates, Inc.

Architectural Building Specialties
 SUITE 100 * 2197 PINE RIDGE DRIVE, JENISON, MI 49428
 PHONE: (616) 669-9761 * FAX: (616) 669-1696

TO: Phillip M. Francis, Asst. Supt. of Dist. Svcs.

DATE: November 1, 2024

PROJECT: Livonia Public Schools

DESCRIPTION	PRICE
<p><u>Franklin High School – Fieldhouse</u></p> <p><u>Scope of Work:</u></p> <p>Remove (1) existing ceiling hung volleyball system (TBD) Furnish and install (1) Bottom Lifting Multi-Sport Practice Cage Specifications: 10'(h) x 12'(w) x 70'(l) - Direct Attachment - 3/4 HP, 115 Volt Single Phase Motor – see attached submittal</p> <p><u>NOTE:</u> If batting cage is to be located between truss bays – additional steel must be introduced – at additional cost – field measurement required to confirm attachment method and location.</p> <p><u>Not Included:</u> Electrical – by others Dumpster/Disposal – by others</p>	<p>PROJECT TOTAL: \$18,900.00</p>

This Quotation will remain firm for a period of 30 days.

All material is guaranteed to be as specified above. All work to be completed in a workmanlike manner according to standard practices. Any alteration or deviation from above specifications involving extra

costs, will be executed only upon written orders, and will become an extra charge over and above the estimate. All agreements contingent upon strikes, accidents or delays beyond our control. Owner to carry fire, tornado and other necessary insurance. Our workers are fully covered by Workmen's Compensation Insurance.

TERMS: Net 30 days. PAST DUE balances are subject to late fee of 1-1/2% per month.

BAREMAN AND ASSOCIATES, INC.

BY Gary Ells
 Gary Ells

ACCEPTED BY _____

DATE _____

Bottom Lifting Multi-Sport Practice Cage

by



Specifications—Bottom Folding Multi-Sport Practice Cage

GENERAL: Cage shall be _____ H x _____ W x _____ L (standard: 10'0" high x 12'0" wide x 70'0" long), complete with frame, net, belts, cables, and electric winch for lowering to floor when in use and raising to underside of roof structure for storage. Net sides shall be automatically lifted near support structure for compact storage and eliminating the need to manually fold netting material to onto top of frame.

I. FRAME

- Frame of cage to be constructed of 1⁵/₈" x .109 wall tubing.
- Fittings to be malleable iron galvanized with case hardened set screws.
- Frame is supported by sixteen 2" wide nylon belts with D-rings spaced 18" on center.

II. OPERATION

- Winch to rotate drive pipe shall consist of a 3/4 H.P., 110-120 volt, 60 cycle, single-phase reversible capacitor motor with built-in thermal overload protection. Remote control winch operation includes integral limit switch for upper and lower limit of the cage travel. Standard key lock, three-position, momentary contact wall switch included. Switch unit shall include a polished wall plate.
- Netting and support frame shall be lifted by 1/8" diameter (7 x 19) galvanized aircraft cable with a breaking strength of 2,100 lbs. Lift cable shall pass through d-rings in nylon belts allowing belts to accordion fold. Lift cables shall also pass through links attached to the netting material on 12" centers causing the netting to lift to the support frame as the cage is folded to the support structure.

III. NETTING

- Four sides and top of cage shall be 3/4" square, knotless nylon mesh in choice of white (standard) or black.
- 3/8" polypropylene rope shall be sewn into the perimeter of each section of netting.
- Netting shall be of sufficient length to allow approximately 12' to rest on floor to prevent balls from going under net.
- Netting shall be suitable for use with baseball, softball and golf.

Please Fill In Following Measurements: (See back page)

Height from Bottom of Beam to Top of Finished Floor: _____

Distance Between Beams: _____

Slope: _____

Width of Beams: _____

Practice Cage Placement:

- Parallel to Roof Beams
- Centered Between Two Beams
 - Centered Directly Beneath Beams
- Perpendicular to Roof Beams

Netting Color:

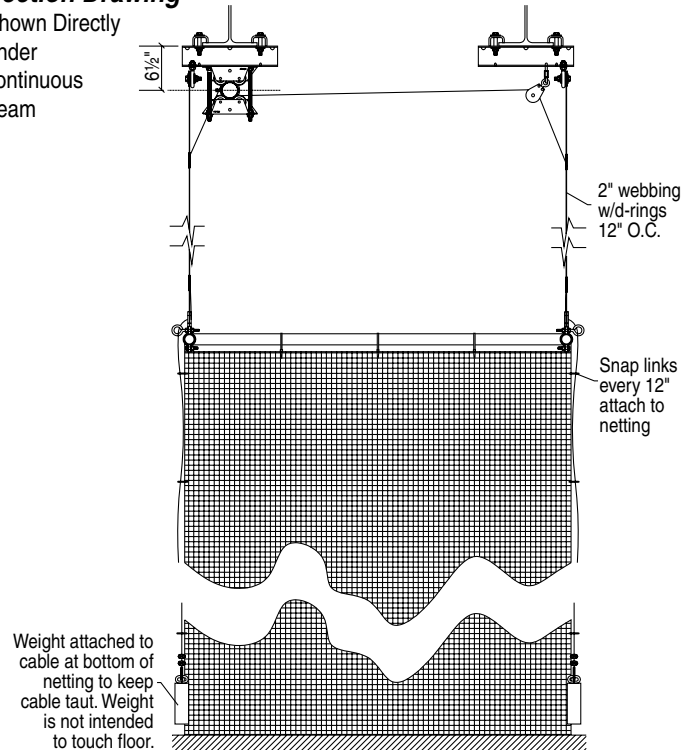
- White (standard)
- Black

Options

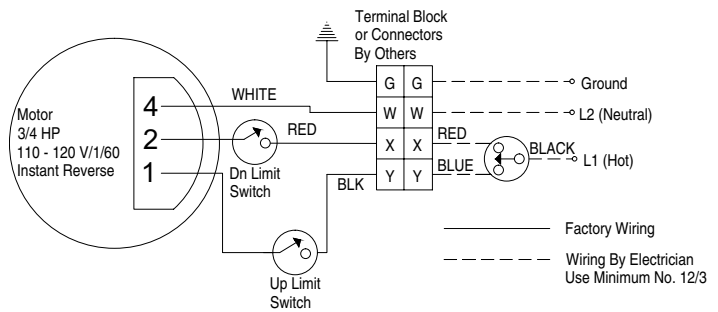
- Wireless Remote Control (see separate sheet)
- EZ Pad Group Control System (see separate sheet)
- Smart Gym Wall Touch Pad Control (see separate sheet)

Section Drawing

Shown Directly under continuous beam



Wiring Diagram



Circuit breaker rated amp. 20 amp.
Fused circuit rated amp. 20 amp.

Minimum Wire Size
90' maximum run. 12 ga.
90' to 140' run. 10 ga.
Over 140'. 8 ga.

Sizes of wall masonry boxes required for single and ganged key switches--
All boxes 2" (w) x 3³/₄" (h) x 2¹/₂" (d).

PROJECT: _____

ARCHITECT: _____

CONTRACTOR: _____

SUPPLIER: _____

DATE: _____ REVISED: _____



CONTRACT PROPOSAL

Bareman and Associates, Inc.

Architectural Building Specialties
 SUITE 100 * 2197 PINE RIDGE DRIVE, JENISON, MI 49428
 PHONE: (616) 669-9761 * FAX: (616) 669-1696

TO: Phillip M. Francis, Asst. Supt. of Dist. Svcs.

DATE: November 1, 2024

PROJECT: Livonia Public Schools

DESCRIPTION	PRICE
<p><u>Stevenson High School – Fieldhouse</u></p> <p><u>Scope of Work: Replacement Portable Basketball Hoops – Schelde Brand</u></p> <p><i>Includes:</i></p> <p>(6) Schelde, Super SAM Model #245 – includes board, goal and hardware</p> <p>(6) Schelde, Super SAM Model #245 – 5 Piece pad sets, including custom graphics (school mascot or logo)</p> <p>(6) Schelde, Bolt-On-Backboard Padding – Color: TBD</p> <p>Delivery and Installation</p> <p><i>Not included:</i></p> <p>Removal / Disposal / Recycling of Existing Hoops – by others</p>	
PROJECT TOTAL:	\$94,500.00

This Quotation will remain firm for a period of 30 days.

All material is guaranteed to be as specified above. All work to be completed in a workmanlike manner according to standard practices. Any alteration or deviation from above specifications involving extra

costs, will be executed only upon written orders, and will become

an extra charge over and above the estimate. All agreements contingent upon strikes, accidents or delays beyond our control. Owner to carry fire, tornado and other necessary insurance. Our workers are fully covered by Workmen's Compensation Insurance.

TERMS: Net 30 days. PAST DUE balances are subject to late fee of 1-1/2% per month.

BAREMAN AND ASSOCIATES, INC.

BY Gary Ells
 Gary Ells

ACCEPTED BY _____

DATE _____

SUPER SAM 245

BASKETBALL UNIT PRODUCT BREAKDOWN



LEVEL 3



STORAGE



FULL PROJECTION

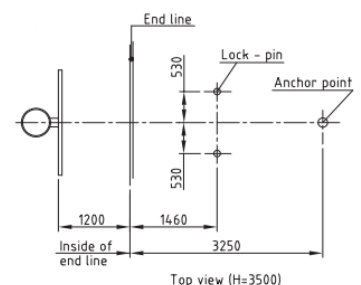
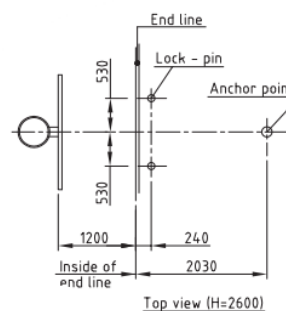
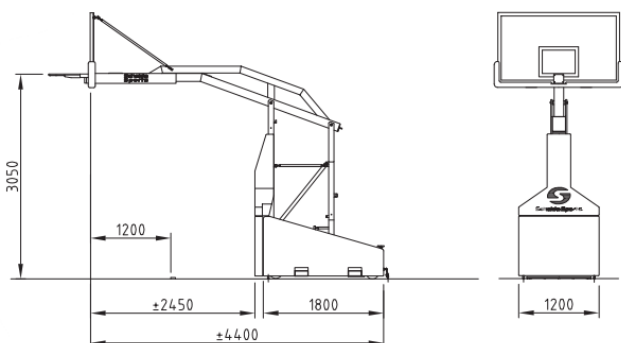
SUPER SAM 245 (1612010)

Setting the world standard for excellence. Designed and manufactured by the inventors of the original SAM (Spring Assisted Mechanism) and DSF (Dynamic Sub Frame).

FEATURES

- Complete portable backstop unit.
- 8' projection.
- One step easy set-up system, within 5 seconds 1 person can set the basketball backstop into the right game position
- FIBA Level 3 approved.
- Strong and stable backstop, white coated high-tensile strength steel frame. Lifetime maintenance free pivot bearings, 100% enclosed counterweights.
- 2 wheels in the front and 2 triple fixed wheels in the rear for optimal weight distribution.
- Tempered glass backboard.
- 180° multidirectional breakaway ring.
- Sturdy nylon Anti-Whip basketball net.
- Safety padding for the front, sides, backboard and neck. Come in a variety of color and can be customized.
- Floor hook at the rear of the frame. 2 positioning pins for quick and precise installation on the court. Floor connector set included: for both PU floors and suspended floors.

FOR WORLD-CLASS VENUES AND HIGHEST LEVEL OF COMPETITION



CONTACT US:

- 833-724-3533
- info@scheldesports.com
- https://www.scheldesports.us/

CONTRACT PROPOSAL

Bareman and Associates, Inc.

Architectural Building Specialties
 SUITE 100 * 2197 PINE RIDGE DRIVE, JENISON, MI 49428
PHONE: (616) 669-9761 * **FAX:** (616) 669-1696

TO: Phillip M. Francis, Asst. Supt. of Dist. Svcs.

DATE: November 1, 2024

PROJECT: Livonia Public Schools

DESCRIPTION	PRICE
<p><u>Stevenson High School – Fieldhouse</u></p> <p><u>Scope of Work: Replacement Portable Basketball Hoops – Draper Brand</u></p> <p><i>Includes:</i></p> <p>(6) Draper, Sharpshooter 96 – includes #503136 backboard, #503040 breakaway goal and #5032XX bolt-on edge padding (color: TBD); vinyl covered base and upright padding – See attached submittal</p> <p>Delivery and Installation</p> <p><i>Not included:</i></p> <p>Removal / Disposal / Recycling of Existing Hoops – by others</p> <p style="text-align: right;">PROJECT TOTAL:</p>	<p>\$94,150.00</p>

This Quotation will remain firm for a period of 30 days.

All material is guaranteed to be as specified above. All work to be completed in a workmanlike manner according to standard practices. Any alteration or deviation from above specifications involving extra

costs, will be executed only upon written orders, and will become

an extra charge over and above the estimate. All agreements contingent upon strikes, accidents or delays beyond our control. Owner to carry fire, tornado and other necessary insurance. Our workers are fully covered by Workmen’s Compensation Insurance.

TERMS: Net 30 days. PAST DUE balances are subject to late fee of 1-1/2% per month.

BAREMAN AND ASSOCIATES, INC.

BY Gary Ells
 Gary Ells

ACCEPTED BY _____

DATE _____

EZ-Sharpshooter 96 Portable Basketball System - 503019

Specifications

Product Description

Portable backstop system shall be 503019 by Draper, Inc., Spiceland, IN.

EZ-Sharpshooter 96 Portable Basketball System shall provide a competition size 42" x 72" glass backboard and competition breakaway goal on a fully padded portable base when rim was set at 10'. Face of backboard shall be a minimum of 96" from the front of the padded base. Backboard shall be ½" tempered glass with official white border and shooter's square and extruded aluminum frame. Backboard shall be designed so that the basketball rim mounts through the glass into the horizontal extension of the base to reduce stress on the glass during play.

Breakaway rim shall be designed to flex with equal pressure in any direction around the front 180° circumference of the ring and have a tubular net attachment system.

Backboard padding shall be bolt-on molded urethane with steel inserts molded into the padding. Padding shall be available in choice of 12 colors.

Entire system shall meet all rules for high school and collegiate play.

Backboard and goal shall be suspended by means of a pivoting, welded steel structure that uses extension spring technology to counterbalance the weight of the backboard and goal to raise and lower the goal for play and storage. Primary structural steel components shall be a minimum of 4" x 4" and 4" x 2" tubing with a minimum ¼" wall thickness. Horizontal extension arm shall be reinforced by no less than two ¼" thick steel members for no less than 7' of the arm length. All pivot points to facilitate lowering for storage shall be 1¼" steel pivot pins riding on self lubricating bronze bearings. Welded base shall provide a fully enclosed ballast compartment that is properly loaded with steel ballast at the factory.

Goal shall be raised and lowered by one person and locked at the desired rim height or storage position by means of a telescoping height adjustment mechanism that has permanent rim height markings. Rim shall be capable of height settings from 7' to 10' in 6" increments.

All steel components shall have a textured white polyester powder coated finish.

Entire basketball system shall rest on the floor when in the storage position on six (6), 8" diameter, 2" wide urethane casters. When rolled into playing position, front of system shall be lifted from the front wheels onto two 4" diameter urethane stabilizer pads.

Stabilizer pads shall be lowered by means of a threaded lead screw located at the top front corners of the base.

Padding: Entire front and sides of the base and front of the structural upright shall be padded a minimum of 2" thick in choice of 12 colors. Lower surface of horizontal extension arm shall be padded to a distance of 60" from the rear of the backboard.

Front locator pins and floor locator bushings and rear hold-downs shall be standard with the system. **System weight** shall be approximately 2,350 lbs.

The padded base shall be approximately 40" wide x 74" long. **The total stored dimension** shall be approximately 76" wide x 165" long x 78" high.

Components shall carry the following minimum warranties.
Backboard, limited lifetime; Structure, 10-year limited;
Backboard Edge Padding, 10-year and Breakaway Goal, 5-year.



Please Mark Appropriate Selections

Select Padding Color

Select Color:

- | | | |
|---|---|--|
| <input type="checkbox"/> 01 White | <input type="checkbox"/> 02 Marine Blue | <input type="checkbox"/> 04 Red |
| <input type="checkbox"/> 05 Beige | <input type="checkbox"/> 06 Orange | <input type="checkbox"/> 07 Yellow |
| <input type="checkbox"/> 08 Grey | <input type="checkbox"/> 09 Maroon | <input type="checkbox"/> 10 Royal Blue |
| <input type="checkbox"/> 11 Black | <input type="checkbox"/> 12 Purple | <input type="checkbox"/> 13 Forest Green |
| <input type="checkbox"/> 14 Kelly Green | <input type="checkbox"/> 15 Navy Blue | |

* These colors may require longer lead time. Contact Draper, Inc. for details



PROJECT: _____

ARCHITECT: _____

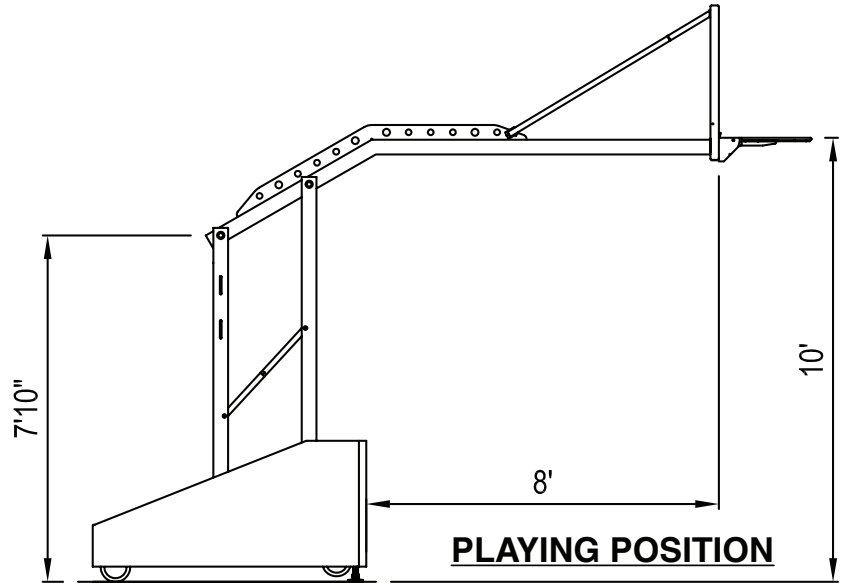
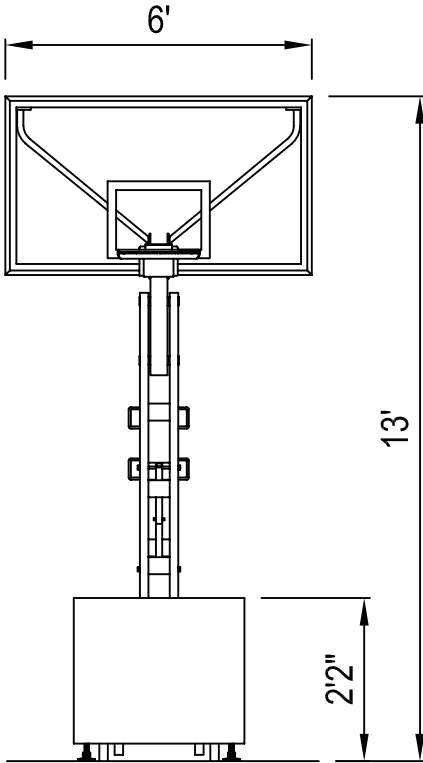
CONTRACTOR: _____

SUPPLIER: _____

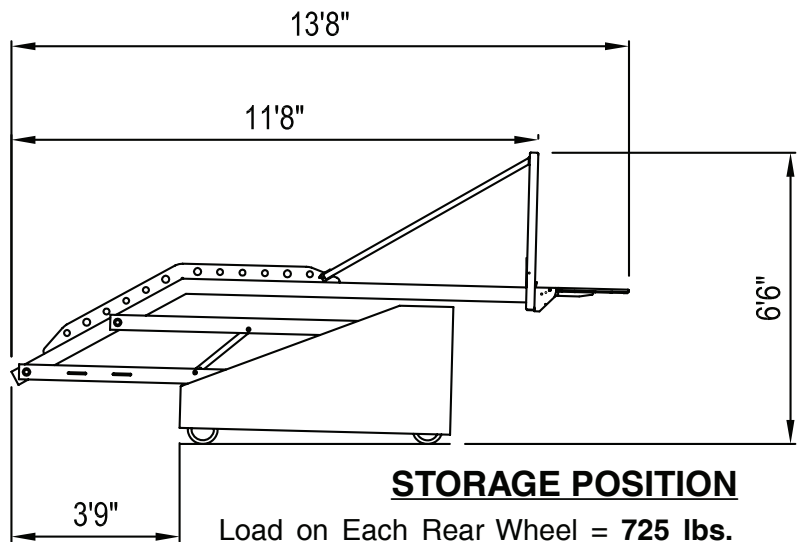
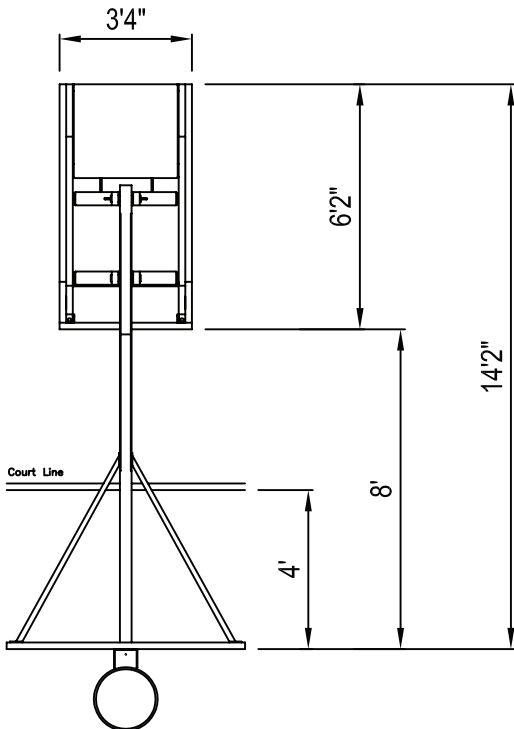
DATE: _____ REVISED: _____

EZ-Sharpshooter 96 Portable Basketball System - 503019

SUBMITTAL TECHNICAL SPECIFICATIONS



Load on Each Rear Wheel = 465 lbs.
Load on Each Front Pad = 690 lbs.



Load on Each Rear Wheel = 725 lbs.
Load on Each Front Pad = 430 lbs.



PROJECT: _____

ARCHITECT: _____

CONTRACTOR: _____

SUPPLIER: _____

DATE: _____ REVISED: _____



PO Box 841393
 Dallas, TX 75284-1393
 Phone: 800-527-7510 Fax: 800-899-0149
 Visit us at www.bsnsports.com

Quote	
Cart #:	12426536
Purchase Order #:	Portable Basketball System
Cart Name:	Porter Basketball Systems
Quote Date:	10/24/2024
Quote Valid-to:	11/22/2024
Payment Terms:	NT30
Ship Via:	
Ordered By:	Dusty Hall

Contact Your Rep

Aaron Wick Email: awick@bsnsports.com | Phone:

Sold to
1442510
FRANKLIN HIGH SCHOOL
 3100 JOY RD
 LIVONIA MI 48150-3916
 USA

Ship To
1442510
STEVENS ON HIGH SCHOOL
 Arnold Muscat
 33500 SIX MILE RD
 LIVONIA MI 48150-3156
 USA

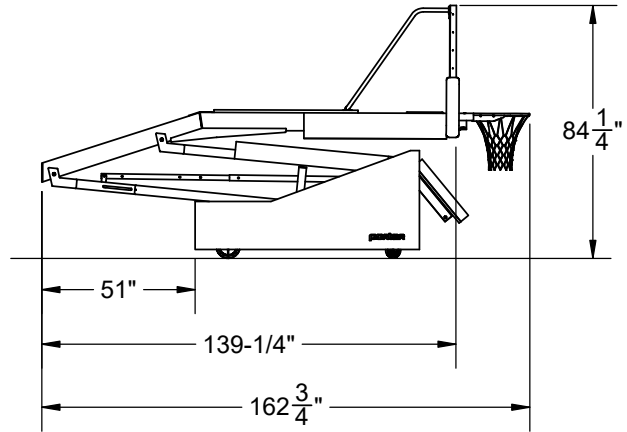
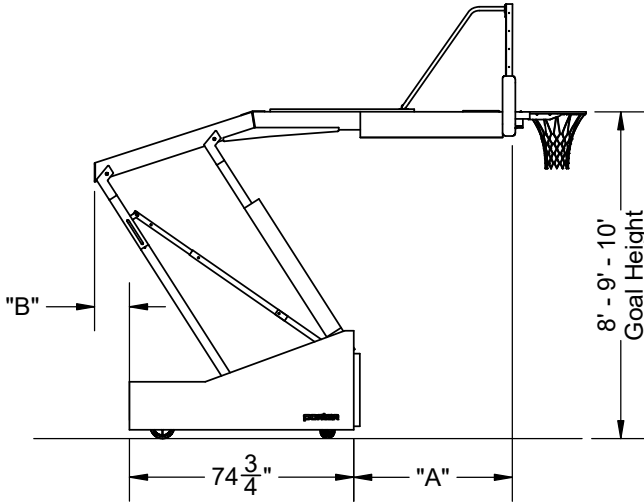
Payer
1442510
STEVENS ON HIGH
SCHOOL Arnold Muscat
 33500 SIX MILE RD
 LIVONIA MI 48150-3156
 USA

Item Description	Qty	Unit Price	Total
Navy/Lt Blue-1135 PORTABLE PAD COLOR FRME COLOR GFX Item # - PR1135080CSP	6 EA	\$ 16,999.99	\$ 101,999.94
6			

Subtotal:	\$101,999.94
Other:	\$0.00
Freight:	\$1,200.00
Sales Tax:	\$0.00
Order Total:	\$103,199.94
Payment/Credit Applied:	\$0.00
Order Total:	\$103,199.94

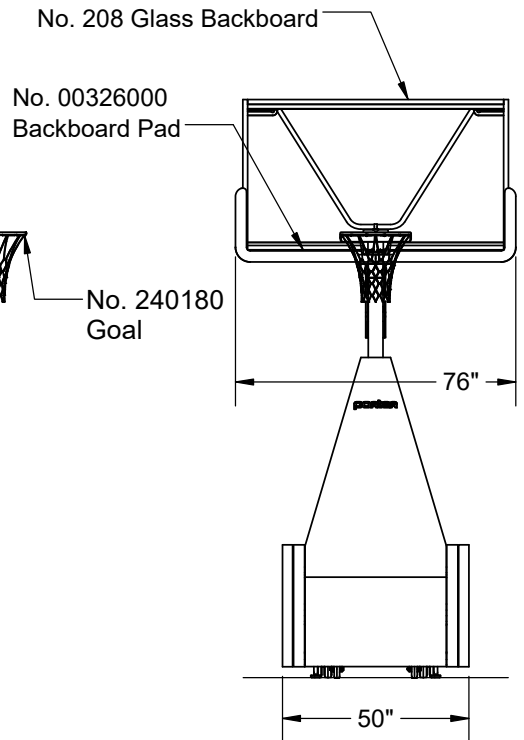
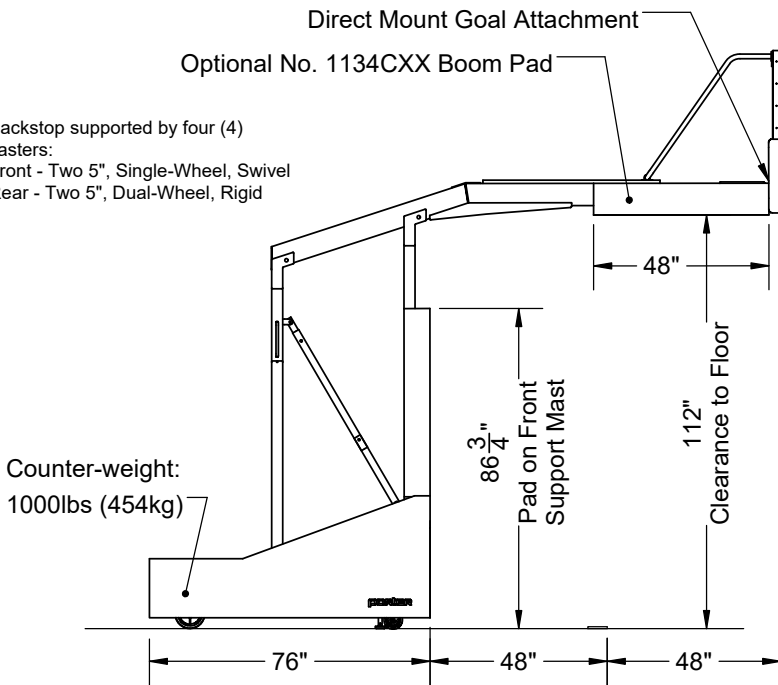
1135080 - PORTABLE BACKSTOP

HEIGHT-ADJUSTABLE PORTABLE BACKSTOP WITH 8'-0" EXTENSION



GOAL HEIGHT SETTING			
	10'	9'	8'
A	8'	4'-3 1/2"	3'-11 1/2"
B	N/A	11-3/4"	2'-3 1/2"

Backstop supported by four (4) casters:
 Front - Two 5", Single-Wheel, Swivel
 Rear - Two 5", Dual-Wheel, Rigid



Color Selection		
01 - Light Blue	06 - Yellow Gold	11 - Purple
02 - Royal Blue	07 - Silver *	12 - Black (Gloss)
03 - Red	08 - Tan/ Old Gold	13 - Navy Blue
04 - White	09 - Gray	14 - Kelly Green
05 - Orange	10 - Maroon	15 - Dark Green

NOTE

XX - Pad Set Color
 YY - Frame Color

2.75" (70mm) thick protective front pads
 2.75" (70mm) thick protective side pads

* Silver available for frame color only, not pad set color

** Backboard pad to match vinyl color (white and tan padding receive gray backboard padding)

- 1135080CXXYY - 1135 PORTABLE; 8' EXTENSION

- 1135080CXXYYSP - 1135 PORTABLE; 8' EXTENSION; WITH GRAPHIC PADS

1135080 - PORTABLE BACKSTOP

HEIGHT-ADJUSTABLE PORTABLE BACKSTOP WITH 8'-0" EXTENSION

SPECIFICATIONS

PORTER No. 1135080 HEIGHT ADJUSTABLE PORTABLE BACKSTOP WITH 6'-0" x 3'-6" RECTANGULAR GLASS BACKBOARD

Backstop shall be designed for use at official goal height setting of 10'-0" (3.05m) with an integral height adjustment locking mechanism which also allows the unit to be used and locked into position at 8'-0" (2.44m) and 9'-0" (2.75m) goal heights. Unit shall be positioned on the floor by means of two (2) hand operated, retractable, positioning floor locks.

Base of unit shall be 4'-2" (1.27m) in width x 6' 2-3/4" (1.90m) in length (including padding). Base shall be constructed of heavy-wall, 3" x 2" (7.6cm x 5cm) structural steel tubing. Base shall be furnished complete with compact, solid steel ballast (1000lbs – 454kg) weights concealed and nested inside frame of the unit. Base frame shall incorporate four (4) non-marking, rubber tread caster wheels equipped with roller bearings for ease of operation. Front two casters shall be 5" (12.7cm) diameter, single-wheel swivel-type and rear two casters shall be 8" (20.3cm) diameter, dual-wheel rigid-type.

Front and rear vertical support assemblies shall be fabricated of heavy-wall 4" x 3" (10.2cm x 7.6cm) steel sections, diagonally braced by 3" x 2" (7.6cm x 5cm) structural steel tubing sections for maximum rigidity. Upper and lower ends of vertical supports shall pivot in adjustable, oil impregnated bronze bushings for maintenance free operation.

Center horizontal backboard support (Center-Strut®) shall be of a 6" x 4" (15.2cm x 10.2cm) heavy-wall steel section extending to a heavy steel mounting plate behind the backboard. Goal shall bolt through sleeves in the glass backboard into said mounting plate to eliminate any strain on the glass backboard during slam- dunk type maneuvers. Two additional backboard mounting bolts are provided to hold backboard in position, should the four goal mounting bolts be removed for replacement of the goal. This direct goal mount feature conforms to NCAA rule (BR-36-14) for basket-ring mounting. Extension assembly shall provide a full 8'-0" (2.44m) from the face of the backboard to the front padding, and 9'-7" (2.92m) vertical dimension from the playing floor with the goal located at the 10'-0" (3.05m) competition height. Upper backboard support arms shall extend diagonally from the horizontal extension assembly for proper backboard support.

A counterbalanced-type multiple tension spring operating system concealed within the backstop shall allow the backboard to be easily raised or lowered within a five second cycle time without the use of additional tools or power mechanisms. Counterbalance system shall be completely enclosed and out of sight. Goal shall be locked in playing position (8', 9', or 10') by means of an integral, telescoping diagonal brace system equipped with a positive thru pin and pressure lock arrangement to provide stability in all positions. The thru pin mechanism is designed to accept a padlock provided with each unit to lock the backstop at any playing height or storage position to eliminate use or operation by unauthorized individuals.

SPECIFICATIONS CONTINUED ON Page 2 of 2

1135080 - PORTABLE BACKSTOP

HEIGHT-ADJUSTABLE PORTABLE BACKSTOP WITH 8'-0" EXTENSION

SPECIFICATIONS

Backstop shall be furnished with durable protective padding on front vertical support and on front and sides of base. Padding shall consist of a minimum 2" thick shock absorbing foam, covered with a 19oz. (per square yard) vinyl coated polyester scrim material for superior rip and tear resistance. Padding shall be provided with a rigid, solid-core plywood backing for securing to the backstop frame. Entire top of base section shall be enclosed by a matching vinyl covered enclosure.

Overall dimension of backstop in folded, storage position: Height of 6'-8 3/4" (2.05m), Width of 4'-2" (1.27m), Backboard Width of 6'-4" (1.93m), Length of 13'-6 3/4" (4.14m).

Total weight of backstop: 2,400 lbs

All metal parts of backstop shall be furnished with a durable powder coat finish. Specify powder coat color.

BACKBOARD – No. 208 Fully Welded Steel Frame Regulation Glass Backboard – See Page No. B-208 for specifications.

BACKBOARD SAFETY PADDING – No. 00326000 Pro-Pad®– See Page No. B-326 for specifications.

*Backboard pad color will match pad vinyl color selected (white and tan padding receive gray backboard padding).

GOAL – No. 240180 Torq-Flex® Competition Adjustable Goal – See Page No. B-240180 for specifications.

OPTIONS

No. 1134CXX – HORIZONTAL SUPPORT ARM PROTECTIVE PAD (EACH)

NOTE: It is the responsibility of the customer and floor manufacturer to ensure the floor can properly accommodate the weight of a portable backstop. Backstop's game location on the court as well as path of transport on court should be taken into consideration during the design process.

NOTE: Refer to page 5 of the product instruction manual for all applicable product warnings and safety information.

NOTE: Additional springs are needed if a shot clock will be installed on this portable backstop; refer to table below for spring information and see page No. B-113130 and B-113150 for shot clock support specifications.

Additional Springs Required for Shot Clocks	
Shot Clock Weight (lbs)	# of Additional Springs
0-20	1
30-90	2
100-130	3
140-150	4
160+	Not Recommended

CONTRACT PROPOSAL

Bareman and Associates, Inc.

Architectural Building Specialties
 SUITE 100 * 2197 PINE RIDGE DRIVE, JENISON, MI 49428
PHONE: (616) 669-9761 * **FAX:** (616) 669-1696

TO: Phillip M. Francis, Asst. Supt. of Dist. Svcs.

DATE: November 1, 2024

PROJECT: Livonia Public Schools

DESCRIPTION	PRICE
<p><u>Stevenson High School – Fieldhouse</u></p> <p><u>Scope of Work:</u></p> <p>Remove (1) existing ceiling hung volleyball system (TBD) Furnish and install (1) Side Lifting Multi-Sport Practice Cage Specifications: 10'(h) x 12'(w) x 70'(l) - Direct Attachment - 3/4 HP, 115 Volt Single Phase Motor – see attached submittal</p> <p><u>NOTE:</u> If batting cage is to be located between truss bays – additional steel must be introduced – at additional cost – field measurement required to confirm attachment method and location.</p> <p><u>Not Included:</u> Electrical – by others Dumpster/Disposal – by others</p>	<p>PROJECT TOTAL: \$16,600.00</p>

This Quotation will remain firm for a period of 30 days.

All material is guaranteed to be as specified above. All work to be completed in a workmanlike manner according to standard practices. Any alteration or deviation from above specifications involving extra

costs, will be executed only upon written orders, and will become an extra charge over and above the estimate. All agreements contingent upon strikes, accidents or delays beyond our control. Owner to carry fire, tornado and other necessary insurance. Our workers are fully covered by Workmen's Compensation Insurance.

TERMS: Net 30 days. PAST DUE balances are subject to late fee of 1-1/2% per month.

BAREMAN AND ASSOCIATES, INC.

BY Gary Ells
 Gary Ells

ACCEPTED BY _____

DATE _____

Side Lifting Multi-Sport Practice Cage

by **DRAPER**

Specifications—Side Lifting Multi-Sport Practice Cage

GENERAL: Cage shall be _____ H x _____ W x _____ L (standard: 10'0" high x 12'0" wide x 70'0" long), complete with frame, net, cables, and electric winch for lowering to floor when in use and raising to underside of roof structure for storage.

I. FRAME

- Frame of cage to be constructed of 1⁵/₈" x .109 wall tubing.
- Fittings to be malleable iron galvanized with case hardened set screws.

II. OPERATION

- Winch to rotate drive pipe shall consist of a 3/4 H.P., 110-120 volt, 60 cycle, single-phase reversible capacitor motor with built-in thermal overload protection. Remote control winch operation includes integral limit switch for upper and lower limit of the cage travel. Key lock, three-position, momentary contact wall switch included. Switch unit shall include a polished wall plate.
- Netting and support frame shall be lifted by 1/8" diameter (7 x 19) galvanized aircraft cable with a breaking strength of 2,100 lbs.
- 2³/₈" Drive pipe to be located above one side of cage and there shall be swivel pulley assemblies to guide lifting cables along other side of cage.

III. NETTING

- Four sides and top of cage shall be 3/4" square, knotless nylon mesh in choice of white (standard) or black.
- 3/8" polypropylene rope shall be sewn into the perimeter of each section of netting.
- Two corners of cage shall be sewn together; two shall be secured using zippers, allowing one long side wall to be raised individually.
- Netting shall be of sufficient length to allow approximately 12' to rest on floor to prevent balls from going under net.
- Netting shall be suitable for use with baseball, softball and golf.

Please Fill In Following Measurements: (See back page)

Height from Bottom of Beam to Top of Finished Floor: _____

Distance Between Beams: _____

Slope: _____

Width of Beams: _____

Practice Cage Placement:

- Parallel to Roof Beams
- Centered Between Two Beams
- Centered Directly Beneath Beams
- Perpendicular to Roof Beams

Netting Color:

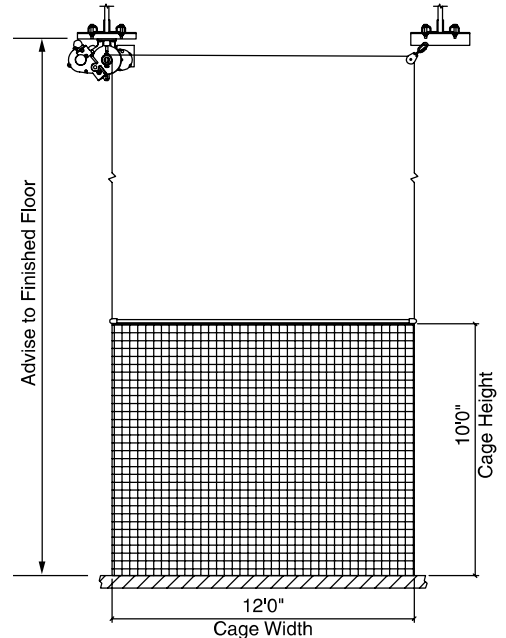
- White (standard)
- Black

Options

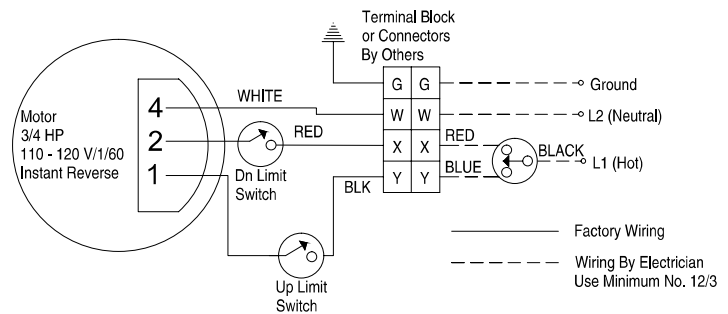
- Wireless Remote Control (see separate sheet)
- EZ Pad Group Control System (see separate sheet)
- Smart Gym Wall Touch Pad Control (see separate sheet)

Section Drawing

Shown Directly under continuous beam



Wiring Diagram



Circuit breaker rated amp. 20 amp.
Fused circuit rated amp. 20 amp.
Minimum Wire Size
90' maximum run. 12 ga.
90' to 140' run. 10 ga.
Over 140'. 8 ga.
Sizes of wall masonry boxes required for single and ganged key switches-- All boxes 2" (w) x 3 ³ / ₄ " (h) x 2 ¹ / ₂ " (d).

DRAPER

411 S. Pearl St., Spiceland, IN 47385 USA ■ 765-987-7999 ■ fax 866-637-5611
e-mail drapercontract@draperinc.com ■ www.draperinc.com

PROJECT: _____

ARCHITECT: _____

CONTRACTOR: _____

SUPPLIER: _____

DATE: _____ REVISED: _____

CONTRACT PROPOSAL

Bareman and Associates, Inc.

Architectural Building Specialties
 SUITE 100 * 2197 PINE RIDGE DRIVE, JENISON, MI 49428
PHONE: (616) 669-9761 * **FAX:** (616) 669-1696

TO: Phillip M. Francis, Asst. Supt. of Dist. Svcs.

DATE: November 1, 2024

PROJECT: Livonia Public Schools

DESCRIPTION	PRICE
<p><u>Stevenson High School – Fieldhouse</u></p> <p><u>Scope of Work:</u></p> <p>Remove (1) existing ceiling hung volleyball system (TBD) Furnish and install (1) Center Lifting Multi-Sport Practice Cage Specifications: 10'(h) x 12'(w) x 70'(l) - Direct Attachment - 3/4 HP, 115 Volt Single Phase Motor – see attached submittal</p> <p><u>NOTE:</u> If batting cage is to be located between truss bays – additional steel must be introduced – at additional cost – field measurement required to confirm attachment method and location.</p> <p><u>Not Included:</u> Electrical – by others Dumpster/Disposal – by others</p>	<p>PROJECT TOTAL: \$17,200.00</p>

This Quotation will remain firm for a period of 30 days.

All material is guaranteed to be as specified above. All work to be completed in a workmanlike manner according to standard practices. Any alteration or deviation from above specifications involving extra

costs, will be executed only upon written orders, and will become an extra charge over and above the estimate. All agreements contingent upon strikes, accidents or delays beyond our control. Owner to carry fire, tornado and other necessary insurance. Our workers are fully covered by Workmen's Compensation Insurance.

TERMS: Net 30 days. PAST DUE balances are subject to late fee of 1-1/2% per month.

BAREMAN AND ASSOCIATES, INC.

BY Gary Ells
 Gary Ells

ACCEPTED BY _____

DATE _____

Center Lifting Multi-Sport Practice Cage

by **DRAPER**

Specifications—Center Lifting Multi-Sport Practice Cage

GENERAL: Cage shall be _____ H x _____ W x _____ L (standard: 10'0" high x 12'0" wide x 7'0" long), complete with frame, net, cables, and electric winch for lowering to floor when in use and raising to underside of roof structure for storage. Net sides may be folded onto top of cage for maximum clearance during storage.

I. FRAME

- Frame of cage to be constructed of 1 5/8" x .109 wall tubing.
- Fittings to be malleable iron galvanized with case hardened set screws.
- Frame is supported with 1/8" galvanized aircraft cable termination onto a rotating drive pipe.

II. WINCH and Lift System

- Drive pipe power mechanism shall consist of a 3/4 H.P., 110-120 volt, 60 cycle, single phase reversible capacitor motor with built-in thermal overload protection. The motor and load holding worm gear reducer shall provide speed reduction in the winch. Remote control operation to include integral limit switch to control the upper and lower limit of the curtain travel. Key lock, three position, momentary contact wall switch with safety delay included. Switch unit shall include a general purpose switch box wall plate.
- Netting and support frame shall be lifted by 1/8" diameter (7 x 19) galvanized aircraft cable with a breaking strength of 2,100 lbs.
- 2 3/8" Drive Pipe to be centered in Practice Cage.

III. NETTING

- Four sides and top of cage shall be 3/4" square, knotless nylon mesh netting in choice of white (standard) and black.
- 3/8" polypropylene rope shall be sewn into the perimeter of each section of netting.
- Two corners of the cage shall be sewn together; two shall be secured using zippers, allowing one long sidewall to be raised.
- Netting shall be of sufficient length to allow approximately 12" to rest on floor to prevent balls from going under net.
- Netting shall be suitable for use with baseball, softball and golf.

Please Fill In Following Measurements: (See back page)

Height from Bottom of Beam to Top of Finished Floor: _____

Distance Between Beams: _____

Slope: _____

Width of Beams: _____

Practice Cage Placement:

- Parallel to Roof Beams
- Centered Between Two Beams
- Centered Directly Beneath Beam
- Perpendicular to Roof Beams

Netting Color:

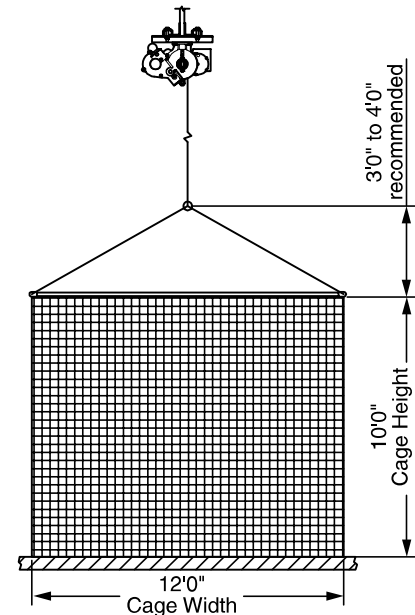
- White (standard)
- Black

Options

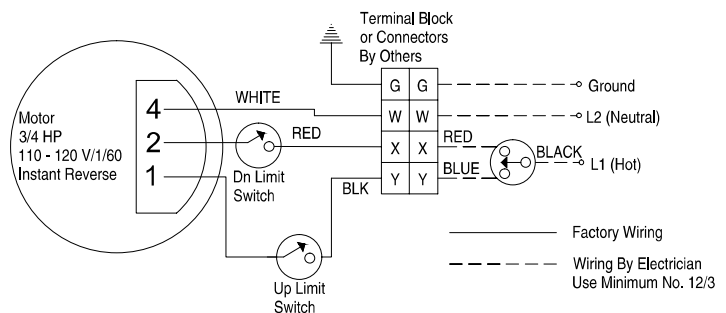
- Wireless Remote Control (see separate sheet)
- EZ Pad Group Control System (see separate sheet)
- Smart Gym Wall Touch Pad Control (see separate sheet)

Section Drawing

Shown Directly under continuous beam



Wiring Diagram



Circuit breaker rated amp. 20 amp.
Fused circuit rated amp. 20 amp.

Minimum Wire Size
90' maximum run. 12 ga.
90' to 140' run. 10 ga.
Over 140'. 8 ga.

Sizes of wall masonry boxes required for single and ganged key switches--
All boxes 2" (w) x 3 3/4" (h) x 2 1/2" (d).

PROJECT: _____

ARCHITECT: _____

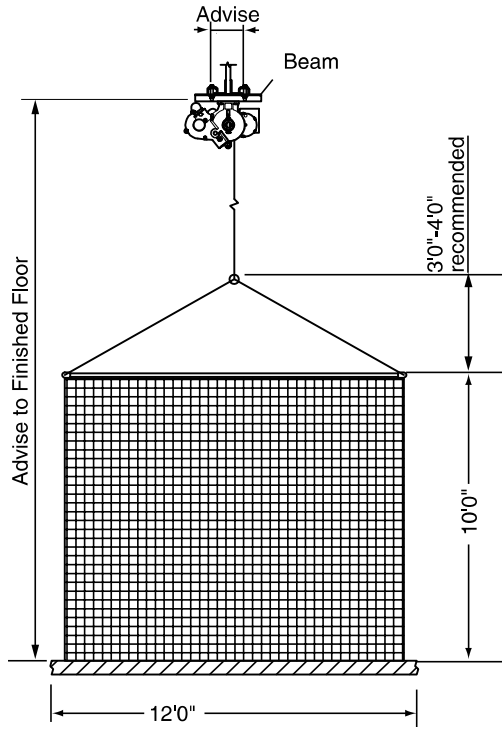
CONTRACTOR: _____

SUPPLIER: _____

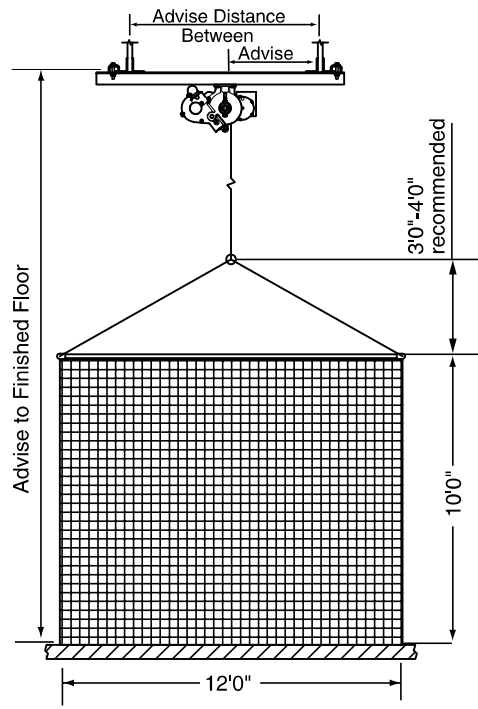
DATE: _____ REVISED: _____

DRAPER

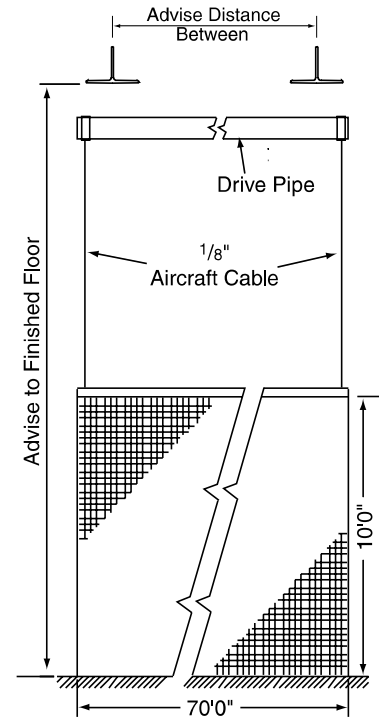
*Parallel Installation
(Directly Beneath Beam) (Typ.)*



*Parallel Installation
(Between Beams)*

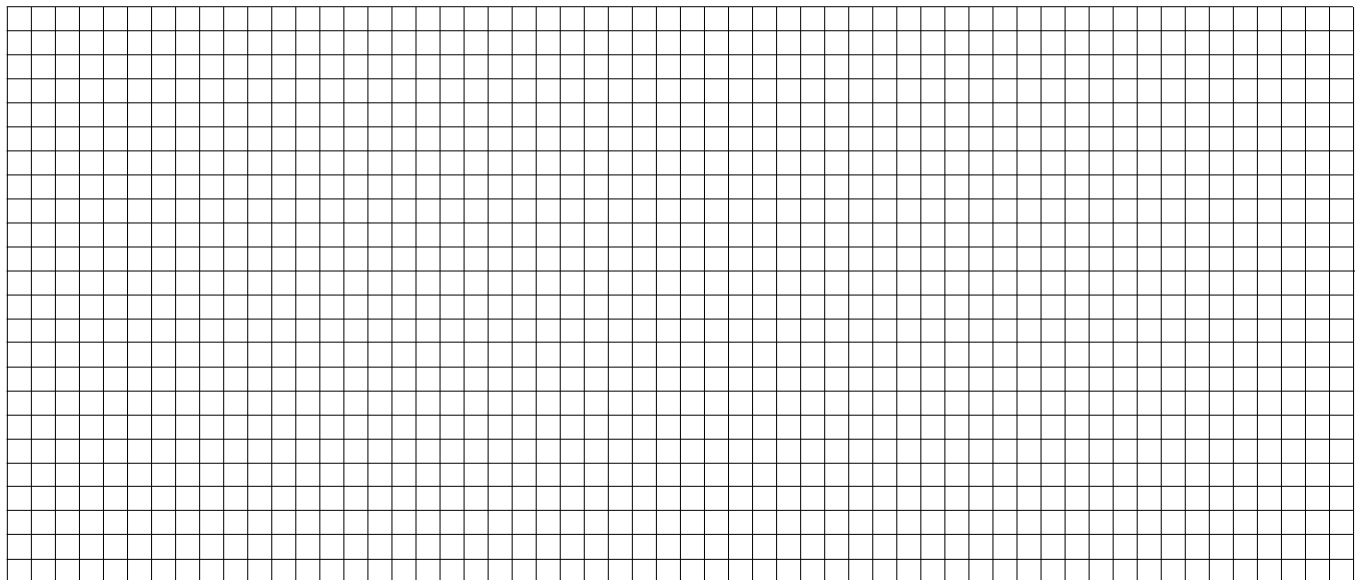


Perpendicular Installation



NOTES:

SKETCH:



CONTRACT PROPOSAL

Bareman and Associates, Inc.

Architectural Building Specialties
 SUITE 100 * 2197 PINE RIDGE DRIVE, JENISON, MI 49428
PHONE: (616) 669-9761 * **FAX:** (616) 669-1696

TO: Phillip M. Francis, Asst. Supt. of Dist. Svcs.

DATE: November 1, 2024

PROJECT: Livonia Public Schools

DESCRIPTION	PRICE
<p><u>Stevenson High School – Fieldhouse</u></p> <p><u>Scope of Work:</u></p> <p>Remove (1) existing ceiling hung volleyball system (TBD) Furnish and install (1) Bottom Lifting Multi-Sport Practice Cage Specifications: 10'(h) x 12'(w) x 70'(l) - Direct Attachment - 3/4 HP, 115 Volt Single Phase Motor – see attached submittal</p> <p><u>NOTE:</u> If batting cage is to be located between truss bays – additional steel must be introduced – at additional cost – field measurement required to confirm attachment method and location.</p> <p><u>Not Included:</u> Electrical – by others Dumpster/Disposal – by others</p> <p style="text-align: right;">PROJECT TOTAL:</p>	<p>\$18,900.00</p>

This Quotation will remain firm for a period of 30 days.

All material is guaranteed to be as specified above. All work to be completed in a workmanlike manner according to standard practices. Any alteration or deviation from above specifications involving extra

costs, will be executed only upon written orders, and will become an extra charge over and above the estimate. All agreements contingent upon strikes, accidents or delays beyond our control. Owner to carry fire, tornado and other necessary insurance. Our workers are fully covered by Workmen's Compensation Insurance.

TERMS: Net 30 days. PAST DUE balances are subject to late fee of 1-1/2% per month.

BAREMAN AND ASSOCIATES, INC.

BY Gary Ells
 Gary Ells

ACCEPTED BY _____

DATE _____

Bottom Lifting Multi-Sport Practice Cage

by



Specifications—Bottom Folding Multi-Sport Practice Cage

GENERAL: Cage shall be _____ H x _____ W x _____ L (standard: 10'0" high x 12'0" wide x 70'0" long), complete with frame, net, belts, cables, and electric winch for lowering to floor when in use and raising to underside of roof structure for storage. Net sides shall be automatically lifted near support structure for compact storage and eliminating the need to manually fold netting material to onto top of frame.

I. FRAME

- Frame of cage to be constructed of 1⁵/₈" x .109 wall tubing.
- Fittings to be malleable iron galvanized with case hardened set screws.
- Frame is supported by sixteen 2" wide nylon belts with D-rings spaced 18" on center.

II. OPERATION

- Winch to rotate drive pipe shall consist of a 3/4 H.P., 110-120 volt, 60 cycle, single-phase reversible capacitor motor with built-in thermal overload protection. Remote control winch operation includes integral limit switch for upper and lower limit of the cage travel. Standard key lock, three-position, momentary contact wall switch included. Switch unit shall include a polished wall plate.
- Netting and support frame shall be lifted by 1/8" diameter (7 x 19) galvanized aircraft cable with a breaking strength of 2,100 lbs. Lift cable shall pass through d-rings in nylon belts allowing belts to accordion fold. Lift cables shall also pass through links attached to the netting material on 12" centers causing the netting to lift to the support frame as the cage is folded to the support structure.

III. NETTING

- Four sides and top of cage shall be 3/4" square, knotless nylon mesh in choice of white (standard) or black.
- 3/8" polypropylene rope shall be sewn into the perimeter of each section of netting.
- Netting shall be of sufficient length to allow approximately 12' to rest on floor to prevent balls from going under net.
- Netting shall be suitable for use with baseball, softball and golf.

Please Fill In Following Measurements: (See back page)

Height from Bottom of Beam to Top of Finished Floor: _____

Distance Between Beams: _____

Slope: _____

Width of Beams: _____

Practice Cage Placement:

- Parallel to Roof Beams
- Centered Between Two Beams
 - Centered Directly Beneath Beams
- Perpendicular to Roof Beams

Netting Color:

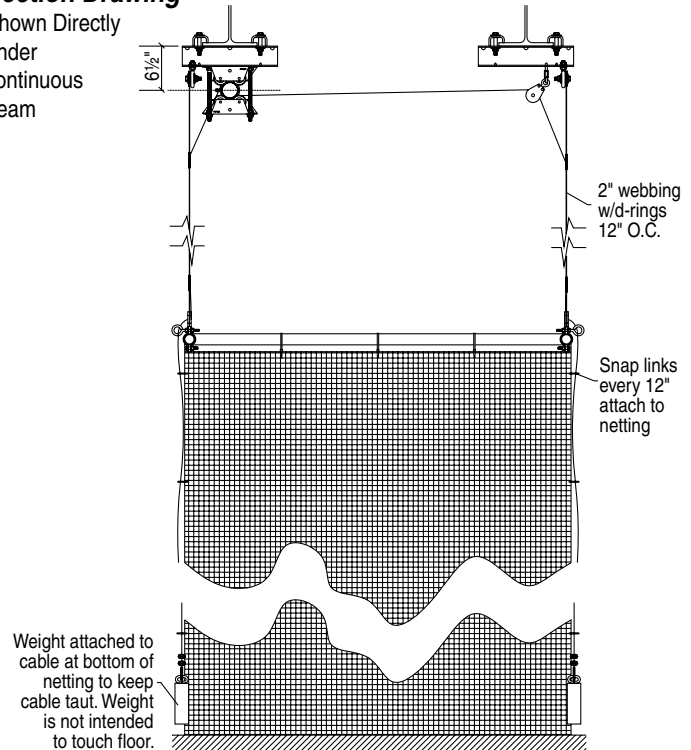
- White (standard)
- Black

Options

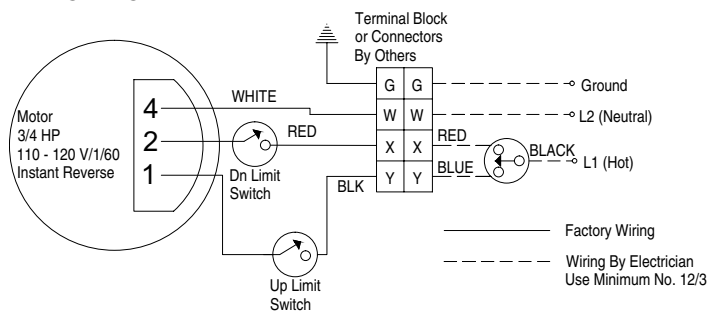
- Wireless Remote Control (see separate sheet)
- EZ Pad Group Control System (see separate sheet)
- Smart Gym Wall Touch Pad Control (see separate sheet)

Section Drawing

Shown Directly under continuous beam



Wiring Diagram



Circuit breaker rated amp. 20 amp.
Fused circuit rated amp. 20 amp.

Minimum Wire Size
90' maximum run. 12 ga.
90' to 140' run. 10 ga.
Over 140'. 8 ga.

Sizes of wall masonry boxes required for single and ganged key switches--
All boxes 2" (w) x 3³/₄" (h) x 2¹/₂" (d).



411 S. Pearl St., Spiceland, IN 47385 USA ■ 765-987-7999 ■ fax 866-637-5611
e-mail drapercontract@draperinc.com ■ www.draperinc.com

PROJECT: _____

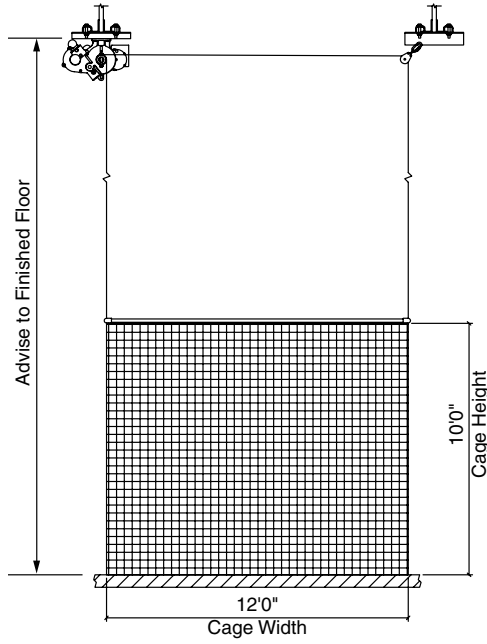
ARCHITECT: _____

CONTRACTOR: _____

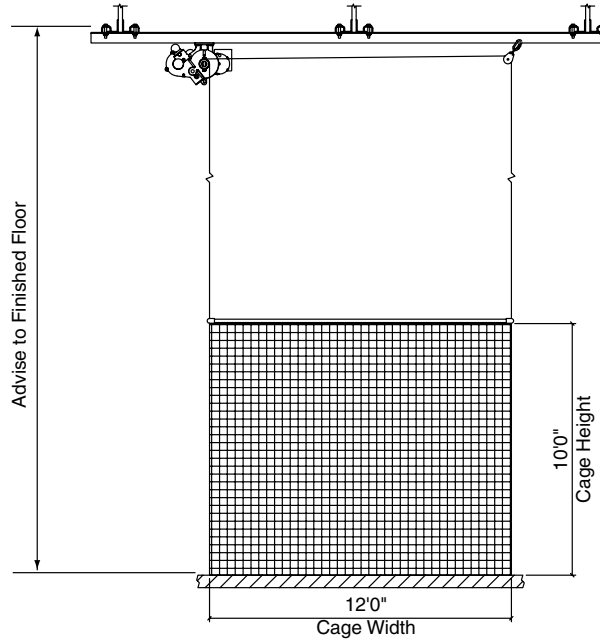
SUPPLIER: _____

DATE: _____ REVISED: _____

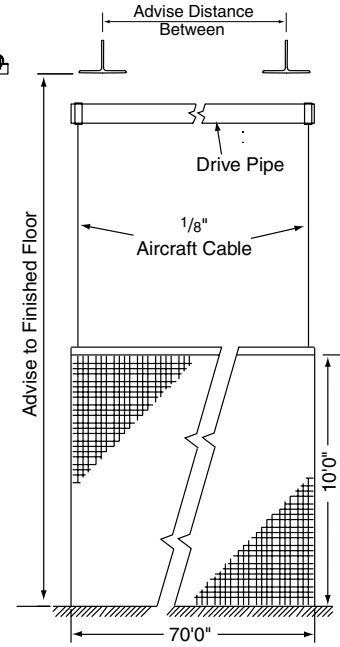
*Parallel Installation
(Directly Beneath Beam) (Typ.)*



*Parallel Installation
(Between Beams)*



Perpendicular Installation



NOTES:

SKETCH:

A large grid of 20 columns and 20 rows, intended for a hand-drawn sketch of the cage installation.



Livonia Public Schools

District Services

Date: November 7, 2024

To: Andrea Oquist, Superintendent

From: Phillip Francis, Assistant Superintendent of District Services

Re: Filter First Update

I would like an opportunity to discuss with the Board of Education Michigan's Filter First legislation at the next Committee of the Whole Meeting on November 11, 2024. The Filter First program requires schools and childcare centers to develop a drinking water management plan, which includes installing filters that reduce lead levels in all drinking water fixture.

Thank you.

c: Board of Education

PF/AS



Livonia Public Schools

Secondary Programs

Date: November 11, 2024

To: Andrea Oquist, Superintendent

From: Kevin Etue, Director of Secondary Programs and District Services

SUBJ: Board Policy IFE

I am requesting to continue ongoing discussions with the Board that began at our most recent Study Session regarding Board Policy IFE Instructional Program – Field Trips.

Please include this item on the November 11, 2024, Policy Committee meeting agenda. As always, please let me know if you have any questions.

BOARD POLICY

IFE

INSTRUCTIONAL PROGRAM

JANUARY ~~12,~~ 2015
DECEMBER 16, 2024

FIELD TRIPS

The Livonia Public Schools School District recognizes that field trips, when used for teaching and learning integral to the curriculum, are an educationally sound and important ingredient in the instructional program of the schools. Properly planned and executed field trips should:

- A. Supplement and enrich classroom ~~procedures~~ curriculum by providing learning experiences in an environment outside the schools ~~– or the traditional classroom instruction (in-school field trip).~~
- B. ~~Arouse~~ Inspire new interests among students.
- C. Help students relate school experiences to the reality of the world outside of school.
- D. Bring the resources of the community – natural, artistic, industrial, commercial, technological, governmental, recreational, educational – within the student’s learning experience.
- E. Afford students the opportunity to study real things and real processes in their actual environment.

All field trips must be approved by the building administrator and appropriate director. Those requiring an overnight stay or travel to another state or to Canada require prior approval by the appropriate director. Field trips to a foreign country, other than Canada, require prior approval by the Board of Education.

ADMINISTRATIVE PROCEDURES

IFE

INSTRUCTIONAL PROGRAM FIELD TRIPS

~~APRIL 11, 2016~~
DECEMBER 16, 2024

1. **Definition**—School field trips are excursions into the community under school sponsorship and supervision. The use of municipal parks adjoining the individual school properties, game trips by athletic teams carrying out their regular schedules, and work experience activities of cooperative training students shall not be considered field trips for purposes of these regulations.
2. **Criteria**—The community, both local and extended, should be viewed as a part of the learning laboratory of the school. As such, its resources should be utilized whenever feasible and whenever such utilization holds promise of more effective learning and obtainment of the objectives of the school. The need to gain the maximum benefit from the instructional hours available makes it necessary to restrict field trips during instructional hours to sites that support instruction. Teachers and principals should review proposed field trips and sites in light of the instructional benefit or gain.

~~At the elementary level, safety and service squad trips may occur during instructional hours and are exempted from the site restrictions.~~ Field trips can be scheduled in lieu of traditional party events (e.g., Halloween, Valentine's Day,) during instructional hours. End-of-the-year activities for elementary classes may be scheduled during instructional hours during the last week of school.

To the best of our ability either through fundraising or financial assistance we will ensure that all students, regardless of their socio-economic status, have the opportunity to participate in field trips.

3. **Mode of Transportation** - Students in grades kindergarten through fourth must travel by BUS for field trips; these students are not permitted to travel in any other vehicle.
4. **Local Field Trips**—Trips within the Livonia School District and its immediately adjoining communities shall be considered as "local" field trips. Local field trips which are directly related to instruction, are completed in one day, and do not involve district bus transportation may be approved by the principal for fifth through twelfth grade students. Students in grades kindergarten through fourth will only be permitted to participate in a local field trip if they are walking to the field trip site.; ~~as that age group of students is only permitted to travel via bus.~~
5. **Regular Field Trips**—Trips involving transportation, either parent or school bus, are considered regular field trips. Trips requiring school bus transportation need to be scheduled during the hours specified by the transportation department (~~currently 9:15 a.m. to 1:30 p.m.~~). ~~Two trips per day can be scheduled district-wide beyond the specified times, and the transportation department should be contacted and the times reserved.~~

prior to initiating the field trip request form. An [Online Application for Field Trip](#) must be submitted at least ten days prior to the date of a regular field trip. All regular field trips require approval of the building administrator.

6. **Longer Field Trips**—Longer trips within Michigan and those requiring overnight arrangements must be approved by the appropriate director. An Application for Field Trip must be submitted at least ten days prior to the date of the trip. The request should be made on a form available from the director's office. These trips are limited to a 60-mile radius on school days, but buses are available after school and on weekends and non-school days for longer trips.
7. **Extended Field Trips**—Field experiences in another state must have the prior approval of the appropriate director. Field experiences in a foreign country, other than Canada, must have prior approval by the Board of Education. Preliminary plans must be submitted in writing to the appropriate director at least four months in advance.
8. **Parental Permission**—A permission slip signed by the student's parent or guardian **must be filed** with the school to permit any pupil to take a field trip. Permission must be obtained for **each** trip and not as "blanket" coverage for the year. A single permission slip may be completed which covers multiple events for Marching Band, Robotics, Forensics, Debate, or Quizbowl provided that the details (date, time, location, mode of transportation, etc) are listed for each event. The single permission slip must also be on file with the school prior to the first event.
9. **Field Trip Funds**—These funds may only be used for transportation expenses, and this can include commercial carriers when school buses are not available.
10. **Supervision/Chaperones**
 - Teachers must ensure that students are adequately supervised and chaperoned by a responsible adult at all times during field trips. All chaperones must be at least age 21. Chaperones may not bring alcohol, marijuana, or unlawful drugs into school buildings or to field trip sites at any time; use, consume, or be under the influence of, marijuana, or unlawful drugs while on school property, field trips, or while serving in any capacity as a chaperone.
~~A chaperone is prohibited from drinking alcoholic beverages or using non-prescribed controlled substances at any time during the field trip.~~ A chaperone must adhere to all District and building volunteer requirements
 - An iChat background check will be completed for each chaperone attending a field trip.
 - The District will not prohibit an eligible student from participating in a field trip solely because the student's parent/guardian does not chaperone.
11. **Student Conduct on Field Trips**
 - A student's failure to comply with Board Policy, the student code of conduct, and any other applicable rules or behavioral expectations while on a field trip may result in disciplinary action and removal or exclusion from the trip.

NOTES

- *Remove Exhibit*
- *Communication update Field Trip permission slip*