



LIVONIA  
PUBLIC SCHOOLS

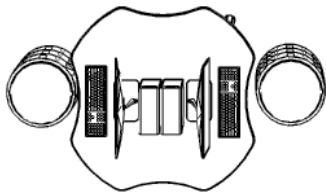
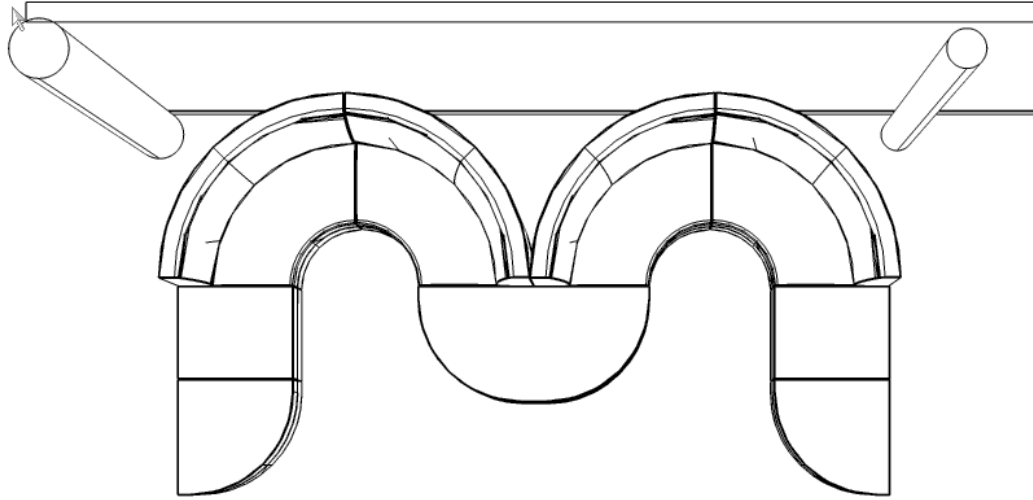
# in \_\_\_\_\_terior<sup>®</sup> environments

We do our best work,  
so you can do yours.

Livonia Public Schools | Grant Elem.

Prepared 05-06-19

# Library



PLAN VIEW



3D VIEW



Create Space.

# Classrooms



SMITH SYSTEM - CASCADE MEGA-CABINET  
43" x 19" x 43.3"H



SMITH SYSTEM - INTERCHANGE HALF MOON ACTIVITY  
72" x 36" x 22 - 34"H



NORVA NIVEL- WORKPAD CADDY  
10 WORKPAD PADS 16" DIA x 2"H  
1 WORKPAD CADDY 17" DIA x 26"H

# Classrooms



JONTI CRAFT - MAILBOX  
42" x 15" x 35.5"H  
36 MAIL SLOTS



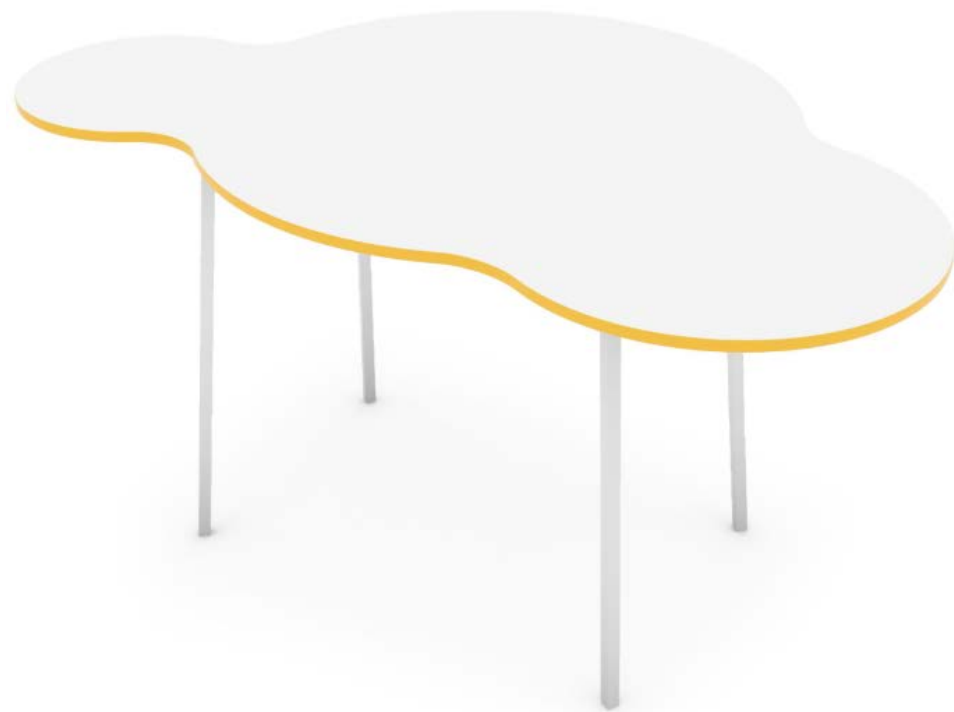
JONTI CRAFT - DOUBLE-SIDED ISLAND  
STRAIGHT SHELF  
48" x 28.5" x 49.5"H



PARAGON - A&D CROSSFIT FLIP TOP TABLE  
24" x 60" x 25.5 - 36.5"H

Create Space.

# Classrooms



NORVA NIVEL - SUNSHINEONACLOUDYDAY TABLE  
WITH OR WITHOUT WRITABLE SURFACE  
56" X 35" X 27"H



SMITH SYSTEM - OODLES STACK STOOL  
17" X 17" X 6.5 - 19.5"H

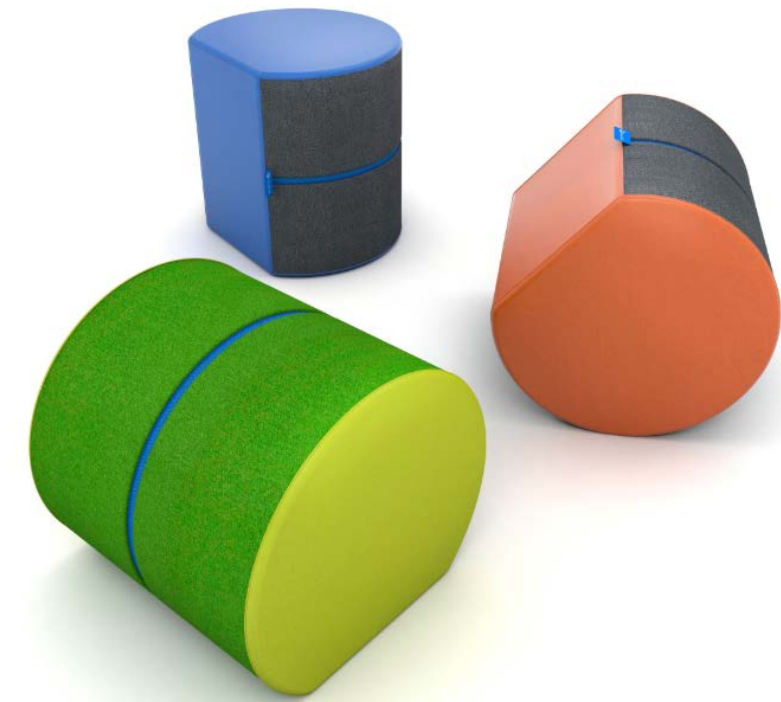


SMITH SYSTEM - CLOVER TABLE  
48" X 48" X 19 - 35.5"H

# Classrooms



JONTI CRAFT - BOOKCASE  
36.5"W x 11.5"D x 35.5"H

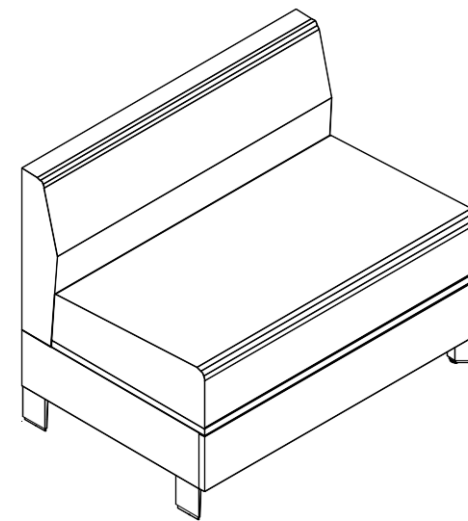


NORVA NIVEL - ROCKER OTTS  
18" X 16" X 18"H

# Classrooms/Hallway



ARCADIA - LEAFLETTE LOUNGE  
28.25"W x 21.5"D x 24.75"H  
SEAT HEIGHT - 15"



ALLSTEEL - INVLOVE SEATING  
36W x 24D x 30"H  
SEAT HEIGHT - 18"

