



THE INFORMATION CONTAINED HEREIN IS OF A PROPRIETARY NATURE AND IS SUBMITTED IN CONFIDENCE FOR USE BY THE CLIENTS APPROVED BY THE ORIGINATOR OF THIS DOCUMENT. ONLY THE USE OF THESE DOCUMENTS FOR ANY OTHER PROJECTS, PURPOSE, LOCATION, PUBLICATION, REPRODUCTION OR DISTRIBUTION IN WHOLE OR PART, BY ANY INDIVIDUAL OR ORGANIZATION WITHOUT WRITTEN PERMISSION THE ORIGINATING COMPANY IS PROHIBITED. THE INFORMATION HEREIN REMAINS THE PROPERTY AND ITS USE OR DISCLOSURE TO OTHERS IS PROHIBITED FOR ANY USE NOT AUTHORIZED BY THE ORIGINATING COMPANY.

Option A

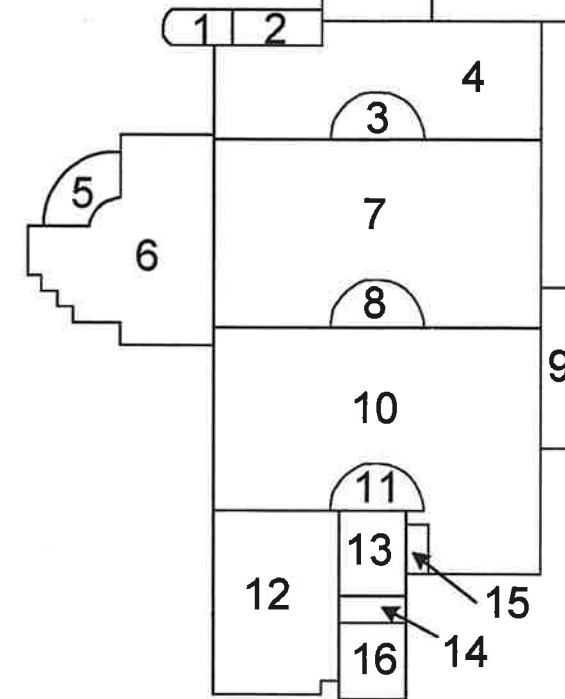
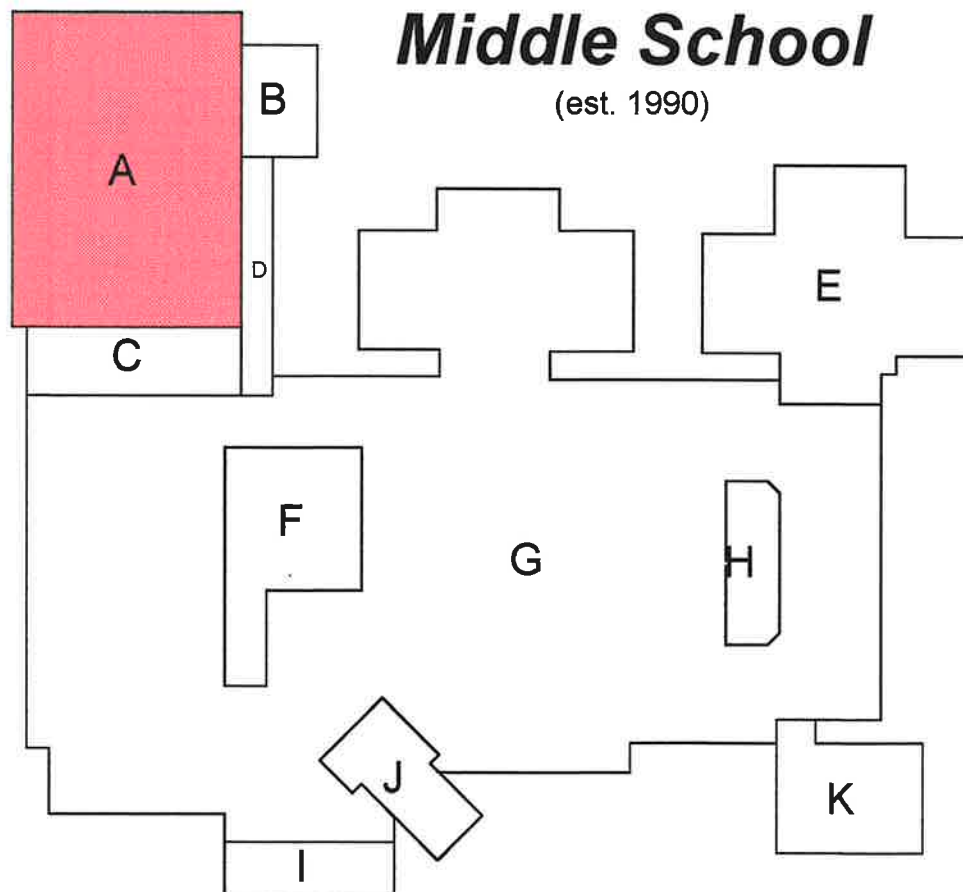
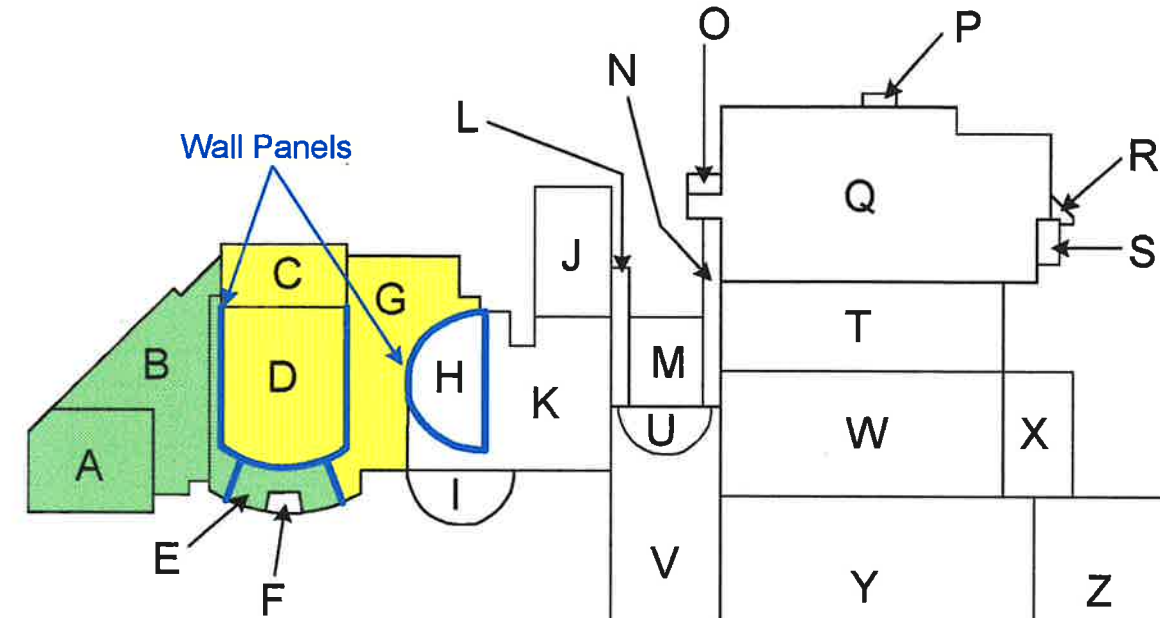
LTFM – Standard Annual Project

High School

(est. 1970)

	BASE BID Roof & Wall Panels	Add #1	Add #2
--	--------------------------------	--------	--------

Roof Budgets	\$275,000 - \$300,000	\$240,000 - \$260,000	\$280,000 - \$300,000
Wall Panels	\$130,000 - \$140,000	N/A	N/A
TOTAL	\$405,000 - \$440,000	\$240,000 - \$260,000	\$280,000 - \$300,000



Review & Planning

Mahtomedi Public Schools
1520 Mahtomedi Avenue
Mahtomedi, MN 55115

SHEET TITLE:

Priority 1
Roof / Wall
Requirements

SHEET NO.

A1