

No. _____



UNITED INDEPENDENT SCHOOL DISTRICT AGENDA ACTION ITEM

TOPIC Approval of Request from Ms. Pat Campos for use of Board of Trustees Discretionary Funds for Clark Elementary for 2,500

SUBMITTED BY: Pat Campos **OF:** Board Member

APPROVED FOR TRANSMITTAL TO SCHOOL BOARD: _____

DATE ASSIGNED FOR BOARD CONSIDERATION: July 23, 2008

RECOMMENDATION:

RATIONALE:

BUDGETARY INFORMATION

BOARD POLICY REFERENCE AND COMPLIANCE:



Exhibit A

**United Independent School District
 Board of Trustees Discretionary Funds Request Form
 Fiscal Year 2007-2008**

Requesting Campus: Clark Elementary

Campus Principal: Clemens P. Bell

Board Member: _____

Board Member: _____

Description of Request: Ice Maker

Estimated Cost of Request \$ 2500⁰⁰

Principal Signature: Clemens P. Bell Date 6/19/08

Board Member Approval: Yes No

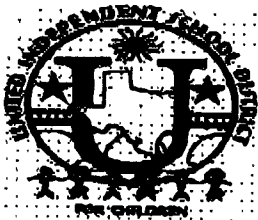
Board Member Signature: _____ Date _____

Board Member Signature: _____ Date _____

Superintendent Signature: _____ Date _____

Board Approval: Yes No Date Approved: _____

Please return the completed form to the Superintendent's Office for final processing.



UNITED INDEPENDENT SCHOOL DISTRICT Purchase Requisition

Vendor Name and Address

Page ____ to ____

FUND/YR	FUNC.	ORG.	PROGRAM CODE	LOCAL OPTION	PROJECT NUMBER	OBJECT	OBJECT	AMOUNT
		105						

BUDGET CODE ACCOUNT CODE

Phone No: _____
 Campus: Clark Elementary Rm NO: _____
 Date: _____

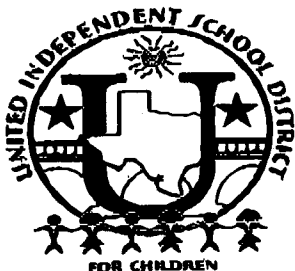
QTY	ITEM #	DESCRIPTION	UNITED PRICE WITH DISCOUNT	EXTENSION
		Ice maker		
Please add shipping & Handling if applicable				

DISPOSITION: Pick-up Mail Check FAX # _____ PAGE TOTAL _____

REMARKS: _____ GRAND TOTAL _____

Ressie R. Gonzalez 6/19/08
DISBURSER (PRINT) DATE
Wentzell 6/19/08
ADMINISTRATOR SIGNATURE DATE

_____ BUDGET COORDINATOR DATE
 _____ OTHER DATE



United Independent School District

Price Quote Log

This form is to be used to make three cost comparisons before a requisition is written. This form must be attached to the requisition and both turned in to the Principal/Director who will sign it and forward it with the request.
(this only applies to non-approved vendors)

		VENDOR		VENDOR		VENDOR	
Requested by <u>Clemen P. Bell</u>		<u>Lumbert</u>		<u>Texas Food Service Equip.</u>		<u>Passo</u>	
Date <u>6/19/08</u>							
Description	Qty	Unit Price	Total	Unit Price	Total	Unit Price	Total
<u>Monitowoc Ice maker</u>	<u>1</u>	<u>3500.00</u> <u>300.00 to install</u>	<u>3800.00</u>				
<u>ICE-D Matic Ice maker</u>	<u>1</u>			<u>2266.90</u>			
<u>Ice Machine Bio Filter</u>	<u>1</u>					<u>2986.98</u>	

Reason for award if to other than low bidder: _____

Reason for not securing bids: _____

I hereby certify that the above included all firms that have been contacted for bids and their replies are exactly as stated.

Person Making Requisition

Date

Principal/Director

Date

Quote

6/19/2008

To:

United ISD
Ms. Gonzalez
3501 E. Saunders
Laredo, TX 78041
Phone: (956) 473-7933
Fax: (956) 473-4699


Project:

United ISD - Ice Maker

From:

Texas Food Service
Equipment
David Shipp
PO Box 1449
Marvel, TX 77578
Phone: (713) 926-7300
Cell: (713) 906-6594

All Electrical (voltage, amperage and phase) and/or Gas Types (Natural or LP) must be expressed in writing to Texas Food Service Equipment Co., Inc. before or at time of any order.

Item	Qty	Description	Sell Each	Sell Total
1	1	ea ICE MAKER, CUBE-STYLE  ICE-O-Matic Model No. ICE0250FA Packed: each Cube ICE Maker, air-cooled, approximately 352 lb production/24 hours, full-size cube, filter-free air, PURE ICE built in antimicrobial protection, Harvest assist produces ice consistently/reduces operating cost, EnerLogic™ Technology, 115/60/1	1,644.44	1,644.44
	1	ea 3 yr. parts & labor warranty on all components, std.		
	1	ea 5 yr. evaporator warranty, std.		
	1	ea 5 yr. compressor warranty, std.		
	1	ea B25PP Ice Bin, 255 lb capacity, w/top-hinged front-opening door, for top-mounted ice maker, polymer coated exterior, molded plastic door	521.46	521.46
	1	ea IFQ1 Water Filter Manifold designed for ice makers producing up to 1,000 lbs. (454.4 Kg.) of ice per day, 1.5 gallons per minute maximum flow rate, IsoNet scale inhibitor, 1 micron particle reduction, 6 month replacement	134.94	<optional>
	1	ea 7 yr Evaporator warranty in lieu of std. 5 yr. if a water filter is purchased with the machine & filters replaced every 6 mo. (USA & Canada only) THIS IS A DROP-SHIP PRICE. IF YOU WOULD LIKE TEXAS FOOD SERVICE EQUIPMENT TO DELIVER AND SET IN PLACE ADD \$300. THE DROP SHIP PRICE DOES NOT INCLUDE LIFT GATE SERVICE. IF YOU DON'T HAVE A WAY TO UNLOAD THE TRUCK AND NEED LIFT GATE SERVICE, CALL ME AND I WILL GET A QUOTE FROM ROADWAY FOR THAT SERVICE.		
Extended Total for Item No. 1:			\$2,165.90	

Merchandise	2,165.90
Freight	101.00
Total	2,266.90

QUOTATION GOOD FOR 30 DAYS. PLEASE VERIFY PRICE THEREAFTER. Prices quoted reflect a "Cash or Check" discount of 5%. Purchases made with a debit or credit card are not eligible for

6/19/2008

the Cash Discount.

THIS QUOTE IS FOR SET-IN-PLACE ONLY. ELECTRICAL AND PLUMBING IS NOT INCLUDED ON THIS QUOTE AND MUST BE DONE BY OTHERS.

This quotation does not include tear-out and/or removal of any existing equipment unless specifically stated. It is customer's responsibility to provide adequate access to equipment installation site. Removal of doors, door jams, etc. is customer's responsibility. Quotation does not include sales tax. It is customer's responsibility to provide proper documentation if sales tax is not applicable.

ICE-O-Matic

Model: ICE0250FA

Item#: 1



ICE 0250 Series Cube ICE Maker

- ✓ Produces up to 352 lbs. (160 Kgs.)* of ICE per day
- ✓ Constructed from sturdy, corrosion-resistant 300 series stainless steel
- ✓ Ultra-low profile - 20 inches (508 mm) tall
- ✓ Available with an air- or water-cooled condenser



ICE 0250 on a B40 Bin

**ICE-O-Matic® is the Best ICE Making Solution for:
Hard Water, Food Safety and Tight Spaces**

Problem

Food Safety

Food safety concerns about slime- and odor-causing bacteria

Hard Water

Scaling due to hard water slows Ice production

Tight-Fitting Spaces

Inadequate air flow due to tight-fitting spaces reduces Ice production

Dirty Air Filter

Forget to change the air filter?

Solution

PURE ICE™ - Exclusively by ICE-O-Matic®

Built-in antimicrobial protection for the life of the machine prevents bacteria and slime fungus growth. ICE-O-Matic's® optional water filtration system provides protection against unpleasant tastes, odors, and scale formation.

Harvest Assist

Consistent ICE production 24/7 by pushing the ICE into the bin rather than waiting for gravity to overpower the scale

Top Air Discharge

Maximum ICE production in a minimum amount of space with an ultra-low profile - no side clearance required

Filter-Free Air

No air filter to change

*Rated at 70° (21°) Air/50° (10°) Water

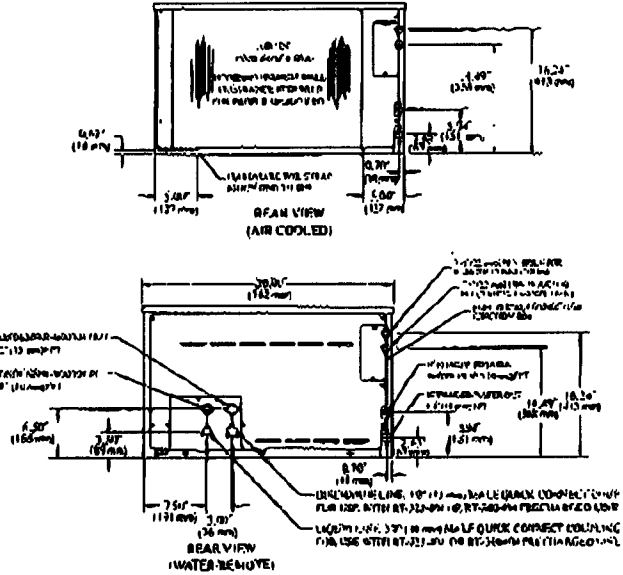
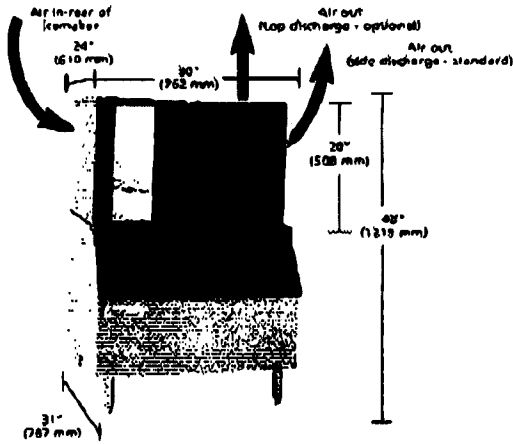
ICE-O-Matic

Model: ICE0250FA

Item#: 1

ICE 0250 Series Cube ICE Maker

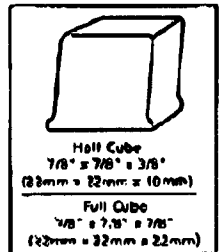
Dimensions and Air Flow



ICE PRODUCTION CHART POUNDS (KILOGRAMS) PER 24 HOURS					
ICE 0250			ICE 0305		
Cond. Unit	Air Temp. °F (°C)	Water Temp. °F (°C) 60°(17°) 70°(21°) 50°(10°)	Air Temp. °F (°C)	Water Temp. °F (°C) 60°(17°) 70°(21°) 50°(10°)	
Air Cooled	90° (32°)	227 (103) 244 (111) 287 (131)	90° (32°)	247 (112) 266 (121) 298 (135)	
	80° (27°)	270 (123) 291 (132) 320 (145)	80° (27°)	272 (124) 293 (133) 322 (146)	
	70° (21°)	296 (135) 320 (145) 352 (160)	70° (21°)	302 (133) 315 (143) 346 (157)	
Water Cooled	90° (32°)	264 (120) 284 (129) 311 (141)	90° (32°)	271 (123) 291 (132) 318 (144)	
	80° (27°)	280 (127) 301 (137) 331 (150)	80° (27°)	274 (124) 294 (134) 324 (147)	
	70° (21°)	297 (135) 319 (145) 351 (160)	70° (21°)	286 (130) 307 (140) 338 (154)	

OPERATING LIMITS	
Ambient Temp. Range	50° - 110°F (10° - 43°C)
Air & Water	50° - 110°F (10° - 43°C)
Water Temp. Range	40° - 100°F (6.5° - 38°C)
Water Pressure Ice Maker	Min. 20 psi (1.4 bar)
Water In	Max. 60 psi (5.9 bar)
Condensate Inlet Water	Min. 20 psi (1.4 bar)
(Water cooled only)	Max. 60 psi (5.9 bar)

- 90°/70° figures are rated in accordance with ARI Standard 810. All remaining points are mathematical estimates.
- All specifications and performance data are subject to normal manufacturing variances.



ORDERING AND SPECIFICATION INFORMATION

Model No.	Cond. Unit	Ice Production per 24 hrs. at 70° Air/70° Water lbs. (Kgs.)	Ice Production per 24 hrs. at 50° Air/50° Water lbs. (Kgs.)	Water Used/Gal. (Liters) per 100 lbs. of Ice @ 70° Water		kWh/100 lbs. of Ice @ 70° Water	Batch	Voltage	No. of Wires	Min. Circuit Amp.	Prod. View Size	Shipping Weight lbs. (Kgs.)
				Ice Prod. Use	Cond. Use							
ICE0250-A	Air	352 (160)	244 (111)	30.1 (114)	n/a	6.4	6221	115/60/1	3	13.3	15	135 (61)
ICE0250-W	Water	351 (160)	264 (129)	36 (135)	149 (564)	6.1	6030	115/60/1	3	10.8	15	140 (64)
ICE0305-A	Air	346 (157)	266 (121)	31.3 (113)	n/a	9.0	7079	230/50/1	3	12.4	15	155 (71)
ICE0305-W	Water	338 (154)	291 (132)	33.0 (125)	155 (587)	6.9	6580	230/50/1	3	8.5	15	155 (71)

See Bin specification sheet for information on ice storage bins

- * represents cube size, for full cube substitute an "F", for half cube substitute an "H".
- Top discharge is available on ICE0250 air-cooled model, just substitute a "T" for the "A" in the model number.
- Please note: air-cooled units require 6" (152 mm) clearance for air intake and exhaust.



We reserve the right to make changes in design and construction at any time without obligation.
Mile High Equipment Company New Code: 1023 A-04/03-02



ICE-O-Matic/Mile High 11100 E. 45th Avenue, Denver, CO 80239
Tel. 303 371-3737 Fax. 303 371-6296 www.iceomatic.com



June 20, 2008

**To: United ISD
956 473-4699**

**Attn: Gonzales
Mario**

From: Kasey Hollon

Re: Ice Machine/Bin/Filter

**Manitowoc SD0422A (Capable of producing 300# in 24 hours with 90 degree air and water)
Price: \$1,924.18**

**Manitowoc B420 Bin (capable of holding 310# of ice)
Price: \$666.46**

**Manitowoc AR10000 Water Filter
Price: \$151.34**

**Freight (dock delivered)
Price: \$245.00**

Total: \$2,986.98

Spec Sheets attached

S-Series 422 Ice Cube Machine



Manitowoc




S-Series 422
Ice Machine on B-420 Bin

- SANITATION**
We've made it simple to clean
- SAVINGS**
The perfect balance of power and efficiency
- ROUND**
Designed to run whisper-quiet
- SERVICEABILITY**
Easy access means less downtime

- Up to 460 lbs. (209 kgs.) daily ice production
- Up to CEE Tier 2 energy and water efficiency rating.
- Only 22" (55.88 cm) wide
- Removable water distribution tube with no tools
- Food zone designed with soft, round, cove corners
- Patented cleaning and sanitizing technology
- Select components made with AlphaSan[®] antimicrobial

- Hinged front door for easy access
- **Warranty**
5-year parts and 5-year labor coverage on ice machine evaporator
5-year parts and 3-year labor coverage on ice machine compressor
3-year parts-and-labor coverage on all other ice machine, dispenser, and storage bin components

CEE  Energy Efficiency Rating
Qualified on Back

America's #1 Selling Ice Machine
Ice Cube & Flake Machines • Ice Storage Bins • Ice Dispensers

Manitowoc
Foodservice Group

Manitowoc S-Series 422

Model	Ice Shape	Ice Production 24 hours				Power kW/100 lbs.	COP Rating
		70°/50°		80°/70°			
		lbs.	kgs.	lbs.	kgs.		
SY-0424A	half-dice	450	209	855	161	6.5	Typ 1
SY-0425W	half-dice	435	197	370	168	8.1	Typ 2
SD-0422A	dice	430	195	320	145	7.1	Typ 1
SD-0423W	dice	430	195	370	168	5.4	Typ 1

Water usage/100 lbs. 45.4 lbs. of ice
Possible Water: 10 gallons, 60 liters • Water-cooled Condenser: 150 gallons, 570 liters

Order ice storage bin separately "A" or "W" following model number indicates "W" or "Water", condensing unit.

Manitowoc for Energy Efficiency (CEE) is a North American nonprofit organization that promotes energy-efficient products, technologies and services, also the principal entity for the development of ice maker efficiency standards.

Certified in Accordance with ARI Automatic Commercial Ice-Cube Machines (batch-type) Certification Program, which is based on ARI Standard 610

Ice Machine Electric

115/60/1 standard, (208-230/60/1 and 230/50/1 also available.)

Min. circuit ampacity: Air-cooled: 13.6 amps
Water-cooled: 12.9 amps

Max. fuse size: Air-cooled and Water-cooled: 20 amps

HACR-type circuit breakers can be used in place of fuses.

Specifications

BTU Per Hour:
7,000 (average) 9,600 (peak)

Compressor:
Nominal rating: 3/4 HP

Cupra-Nickel Condenser:
(Water-cooled models)
Adds protection from
corrosive water elements.

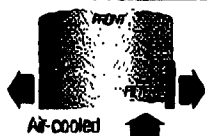
Operating Limits:
• Ambient Temperature Range:
Air and water:
35° to 110°F (1.6° to 43.3°C)

• Water Temperature Range:
35° to 90°F (1.6° to 32.2°C)

• Water Pressure Ice Maker
Water In:
Min. 20 psi (137.9 kPa)
Max. 80 psi (551.1 kPa)

• Condenser Inlet Water In:
(Water-cooled only)
Min. 20 psi (137.9 kPa)
Max. 150 psi (1,034.2 kPa)

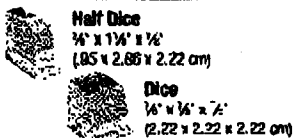
Air Flow Top View



AUIS-50 Accessory

Automatic Cleaning System purchased as an option and installed in the field.

2 Cube Sizes Available



Space-Saving Designs



	S-422 B-420	S-422 B-400
Height	78.50"	64.50"
	194.31 cm	193.63 cm
Width	22.00"	30.00"
	55.88 cm	76.20 cm
Depth	34.00"	34.00"
	86.30 cm	86.30 cm
Bin Storage	910 lbs.	290 lbs.
	140.7 kgs.	131.7 kgs.

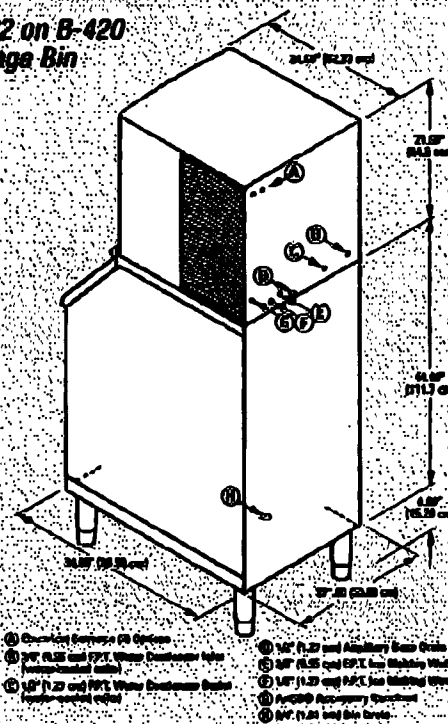
Height includes adjustable bin legs: 6.00" to 7.00" (15.24 to 17.78 cm) set at 6.00" (15.24 cm). For correction purposes multiply bin capacity by 1.3 (30%) to give an approximate "Possible Pallet Capacity". * 1,000 # bin weight required.



24-HOUR PRODUCTION							
HALF-DICE CUBE				DICE CUBE			
air temp	water temp			air temp	water temp		
F	50°	70°	90°	F	50°	70°	90°
C	10°	21°	32°	C	10°	21°	32°
70°	480	420	375	70°	430	305	265
21°	208	191	170	21°	195	179	161
80°	428	380	345	80°	400	360	325
27°	191	172	167	27°	181	163	147
90°	380	355	310	90°	350	320	300
32°	172	161	141	32°	163	145	138
70°	435	385	350	70°	430	385	345
21°	197	179	159	21°	195	175	157
80°	430	390	345	80°	420	390	340
27°	185	177	157	27°	191	172	154
90°	420	370	340	90°	410	370	335
32°	191	168	154	32°	188	168	161

(Data is subject to GC #12 machine. 30-10 machine produces approximately 7% less ice.)

S-422 on B-420 Storage Bin



Installation Note - Minimum installation clearance- Top/sides: 8" (20.32 cm); Back 5" (12.7 cm).



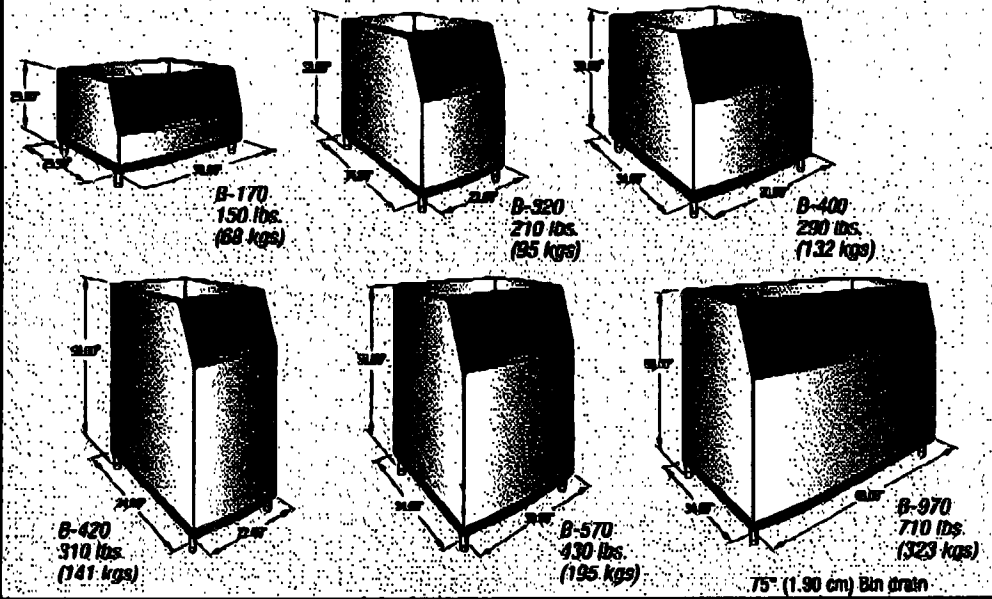
Look for the EnergySaver™ mark and you'll know you're getting the most from every energy dollar spent on food service equipment. www.energysaver.com

Ice Storage Bins

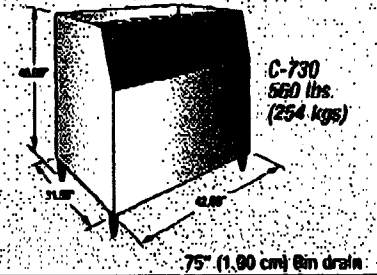


Manitowoc

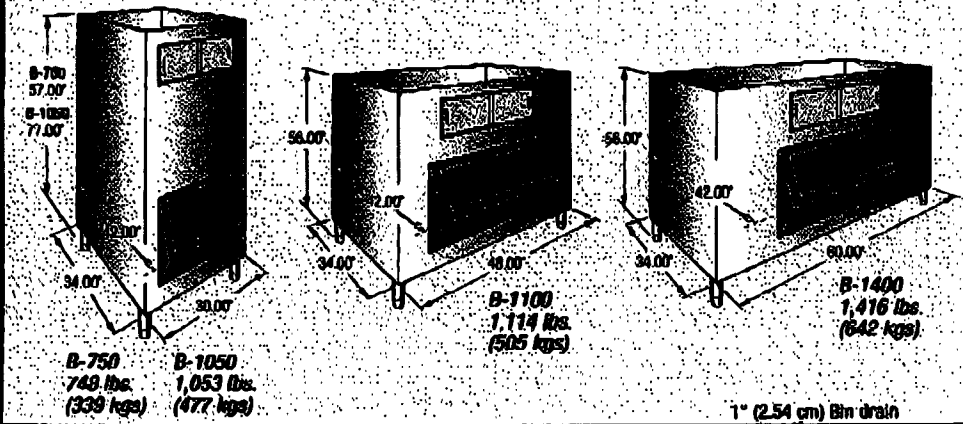
B-Style



C-Style



B-Style Large Capacity



America's #1 Selling Ice Machine
ice Cube & Flake Machines • Ice Storage Bins • Ice Dispensers



Manitowoc Ice Storage Bins

Bin Model		Capacity		Fits Ice Machine Series Indicated												Dimensions							
				300	322	422	450	500	600	650	1000	1200	1400	1400C	1600	1800	0Dual	0C/0F	Height	Width	Depth		
B-170	150	68	●	3	3	●	●										3	25"	63.50 cm	30"	76.20 cm	29.50"	74.92 cm
B-320	210	95		●	●												●	38"	96.52 cm	22"	55.88 cm	34"	86.36 cm
B-400	290	132	●	3	3	●	●	●	●	●	●						3	38"	96.52 cm	30"	76.20 cm	34"	86.36 cm
B-420	310	141		●	●												●	50"	127 cm	22"	55.88 cm	34"	86.36 cm
B-670	430	196	●	3	3	●	●	●	●	●	●						3	50"	127 cm	30"	76.20 cm	34"	86.36 cm
B-970	710	323	1			1	1	2	2	2	2	●	2	●	●	2		50"	127 cm	48"	121.92 cm	34"	86.36 cm

Soft durometer trim around opening helps silence bin door closing. Patent-pending hinge pin design holds bin door open while in use. Internal scoop holder stays above ice line for easy access and better sanitation. Stainless steel exterior is durable, corrosion resistant, and attractive.

- 1 K-00369 adapter required
- 2 K-00370 adapter required
- 3 K-00368 adapter required

One set of stainless steel legs included. Adjustable from 6.00" to 7.75" (15.24 to 19.65 cm). Included with bin.
Storage capacity is based on 80% of total volume x 30 lb/ft³ average density of ice.



Bin Model		Capacity		Fits Ice Machine Series Indicated												Dimensions					
				300	322	422	450	500	600	650	1000	1200	1400C	0C/0F	Height	Width	Depth				
C-730S	560	254	4	5	5	4	4	4	4	4	4	4	4	4	5	48"	116.84 cm	42"	106.68 cm	31.50"	80.01 cm

C-Style stainless steel exterior metal is same material used for S-Series ice machines. Bin door, although rectangular, is gray ABS to match S-Series ice machine trim color. C-Style bin does not include scoop holder, bin door design, or rounded corner enhancements included with S-Style or B-Style design. Bin leg is bullet design, adjustable from 6.00" to 7.75" (15.24 cm to 19.65 cm) and painted black. Bin liner is one-piece (seamless) "rotocast" polyethylene. Liner won't rust, dent, chip, crack or discolor.

- 4 C-730 includes K-0023 adapter to mount 30" ice machine.
- 5 K-0017 adapter required.

Gray painted 6.00" (15.24 cm) bullet legs included, adjustable from 6.00" to 7.00" (15.24 to 17.78 cm).
Storage capacity is based on 80% of total volume x 30 lb/ft³ average density of ice.



Bin Model		Capacity		Fits Ice Machine Series Indicated												Dimensions						
				450	500	600	650	1000	1200	1400	1400C	1600	1800	0Dual	0F2300	Height	Width	Depth				
B-750	748	339	●	●	●	●	●	●	●	●					●	●	57.00"	144.8 cm	30"	76.20 cm	34"	86.36 cm
B-1050	1,053	478	●	●	●	●	●	●	●	●	●				●	●	77.00"	195.6 cm	30"	76.20 cm	34"	86.36 cm
B-1100	1,114	505	●	●	●	●	●	●	●	●	●	●	●	●	●	●	56.00"	142.3 cm	48"	121.92 cm	34"	86.36 cm
B-1400	1,416	642	●	●	●	●	●	●	●	●	●	●	●	●	●	●	56.00"	142.3 cm	60"	152.40 cm	34"	86.36 cm

Manitowoc B-Style, large capacity ice storage bins are equipped with an ice gate for increased employee safety, easier ice removal, and reduced spillage.

Choose between a B-750 and B-1050, two of the smallest footprint, large capacity ice storage bins offered. Also available are the 48" wide B-1100 with 1,114 lbs. of ice storage capacity or the 60" wide model B-1400 with 1,416 lbs. of ice storage capacity. (B-1100; specify for use with 1-30" wide or 1-48" wide ice machine and B-1400 specify for use with 1-30" wide, 2-30" wide or 1-48" wide ice machine at time of purchase).

Bin Leg Options
4" (10.16 cm), 6" (15.24 cm) and 12" (30.48 cm) adjustable legs in painted and stainless steel and 2.5" (6.35 cm), and 7.625" (19.37 cm) casters available for most models. Contact factory for model number and order information.

Warranty
Provides comprehensive, 3-year parts-and-labor coverage. For details, see Ice Storage Bin Warranty Statement. B-750, B-1050, B-1100 and B-1400 provide a limited lifetime warranty on base, bin liner, and poly apron.

ICE MACHINE DEFLECTORS REQUIRED	
S-Series 450, 500, 600, 650, 1000, 1200	K-00347
S-Series 1400, 1600, 1800	K-00349
1400C and 0-Dual	K-00212 for side-by-side ice machines K-00211 for one ice machine

Stainless steel 6.00" (15.24 cm) legs included, adjustable from 6.00" to 7.50" (15.24 to 19.05 cm).
Storage capacity is based on 80% of total volume x 30 lb/ft³ average density of ice.



ISO 9001:2000
Quality System Certified



Manitowoc

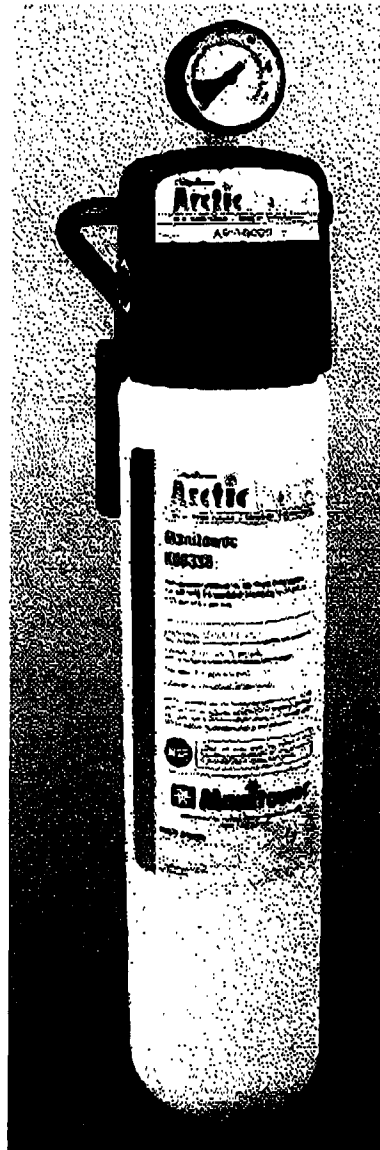
3718C ©2008 Manitowoc Ice Storage Bin. All rights reserved. Reproduction of this document without permission is prohibited.

Arctic Pure®

Ice Machine • Water Filtration



Manitowoc



AR-10000

Over 60% of ice machine maintenance calls are water-related! Arctic Pure® water filters are designed exclusively for ice machine applications and will reduce these calls.

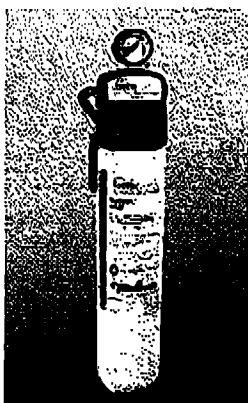
- Built-in scale inhibitor. Siliphos is designed into the filters to reduce scale build-up even under the hardest water conditions.
- Reduces chlorine taste and odor. All filtration and scale reduction material is NSF and/or FDA compliant and is engineered to reduce chlorine taste and odor. Ice looks and tastes better.
- Graded density carbon block filter. Provides superior dirt holding capacity and fine sediment reduction.
- Sanitary quick change housing. Design minimizes contamination of filter media during filter cartridge change-out. All filters are provided with automatic shut-off and pressure relief valves.

America's #1 Selling Ice Machine

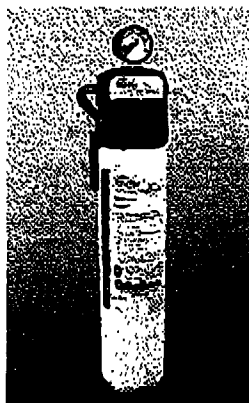
Ice Cube & Flake Machines • Ice Storage Bins • Ice Dispensers

Manitowoc
Partnership Group

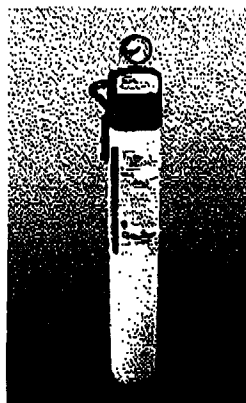
Manitowoc Arctic Pure.



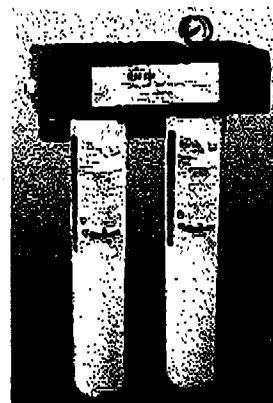
AR-PRE
Pre-filter, dirt and rust sediment reduction



AR-10000
1 micron particle reduction
14,000 gal. capacity
20 grams silphos
Lbs. of ice per day 0-800



AR-20000
1 micron particle reduction
20,000 gal. capacity
40 grams silphos
Lbs. of ice per day 601-1000



AR-40000
1 micron particle reduction
40,000 gal. capacity
80 grams silphos
Lbs. of ice per day 1001-2,500

Ice Machine	Model			
	AR-PRE	AR-10000	AR-20000	AR-40000
OM30	•	•		
OM45	•	•		
Q-130	•	•		
Q-210	•	•		
Q-276	•	•		
S-308	•	•		
S-322	•	•		
S-422	•	•		
S-450	•	•		
S-506	•	•		
S-600	•	•		
S-650	•	•		
S-1000	•		•	
S-1300	•			•
S-1400	•			•
S-1600	•			•
S-1800	•			•
Q-0-ud	•			
IB-600	•	•		
IB-800	•		•	
IB-1000	•		•	
OF-400	•	•		
OC-700	•		•	
OF-800	•		•	
OF-2300	•			•

Specifications

Maximum operating pressure:
25-125 psi (1.7-8.6 bar)

Maximum operating temperature:
35°-100°F (1.7°-38°C)

Flow Rate: AR-10000 0.75 gpm (2.84 LPM)
AR-20000 0.75 gpm (2.84 LPM)
AR-40000 1.5 gpm (5.68 LPM)

Cartridge Housing Material: Talc Filled Polypropylene

Primary Filter - 1 micron particle reduction. Filter media is graded density carbon block containing Silphos scale inhibitor, which holds dissolved minerals in suspension. (AR-10000/20 grams silphos, AR-20000/40 grams silphos, AR-40000/80 grams silphos - 40 grams per cartridge).

Inlet/Outlet fittings - 3/8" John Guss

Optional Pre-Filter - An optional pre-filter is recommended for ice machine installations in areas with high particulate matter (dirty water). The pre-filter extends the filtration efficiency and working life of the primary filter cartridge where this condition exists. The Manitowoc pre-filter is a cost-efficient solution to the particulate matter (dirty water) problem because pre-filter replacements are more economical than a primary filter cartridge.

Replacement Cartridges:

Pre-FilterK-00337
Primary Filter AR-10000K-00338
AR-20000/40000K-00339

To insure maximum filtration efficiency, replace the primary filter cartridge every 6 months. A filter gauge will indicate if replacement is necessary prior to six months usage (below 20 psig).

Important notice: Read this performance sheet and compare the capabilities of this unit with your actual water treatment needs. It is recommended that you have your water supply tested to determine your actual water treatment needs before purchasing a water treatment unit.

Warning: Do not use with water that is microbiologically unsafe or of unknown quality without adequate disinfections before or after the unit.

Caution: The filter must be protected from freezing. Failure to do so may result in cracking of the filter housing and water leakage.

Note: Before using the Arctic Pure on non-Manitowoc machines consult the ice machine manufacturer for water supply usage requirements.

Warranty: 3-Year parts and labor warranty on head, shroud, hardware, and mounting assembly (water filter cartridge not included).

Dimensions

Model	Dimensions						Mfg. Holes		Weights	
	Height		Width		Depth		Center to Center		Lbs.	Kgs.
	Inches	cm	Inches	cm	Inches	cm	Inches	cm		
AR-Pre	17.09	43.41	6.72	17.30	4.00	10.16	1.50	3.81	4	1.81
AR-10000	17.09	43.41	5.72	14.50	4.00	10.16	1.50	3.81	5	1.81
AR-20000	21.34	54.2	5.72	14.50	4.00	10.16	1.50	3.81	5	2.27
AR-40000	21.23	54.1	15.88	40	5.00	12.7	11.50 Bottom 9.75	29.2 24.8	12	5.44



AR-PRE	Nominal particulate reductions Class IV.
AR-10000 AR-20000 AR-40000	Chlorine reduction taste and odor reduction Class I.

Visit www.nsf.org for listed product claims.



Manitowoc

www.manitowoc.com

© 2003 Manitowoc Ice Company. All rights reserved. Reproduction of this document is prohibited without written permission.