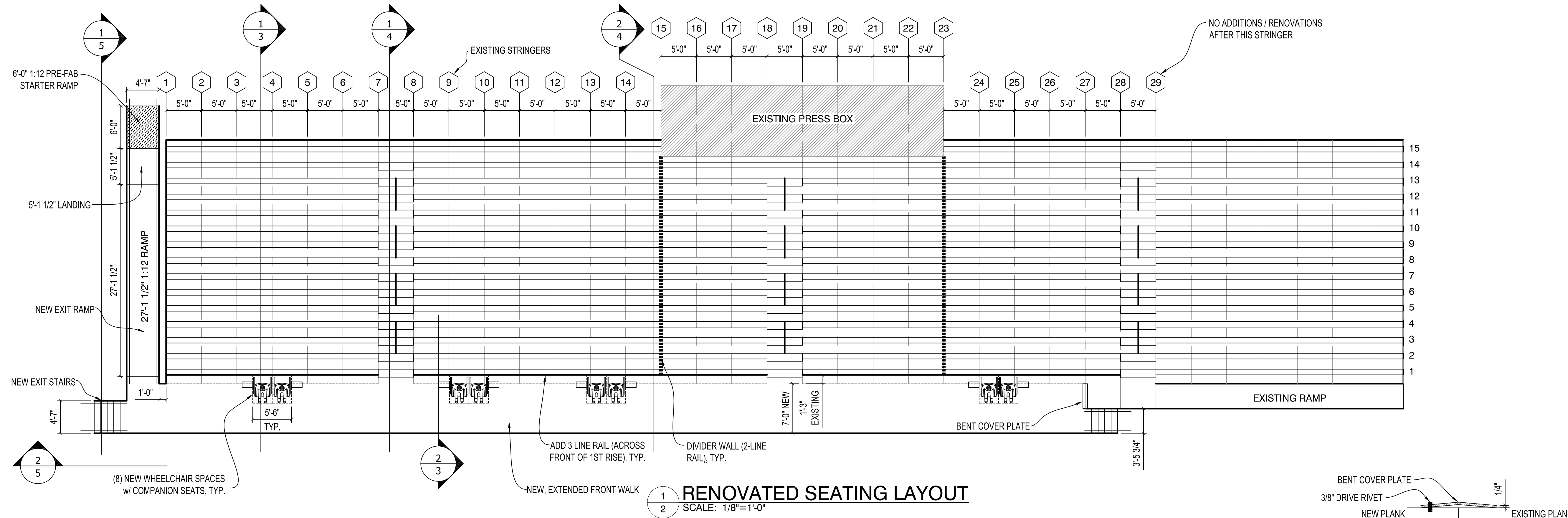


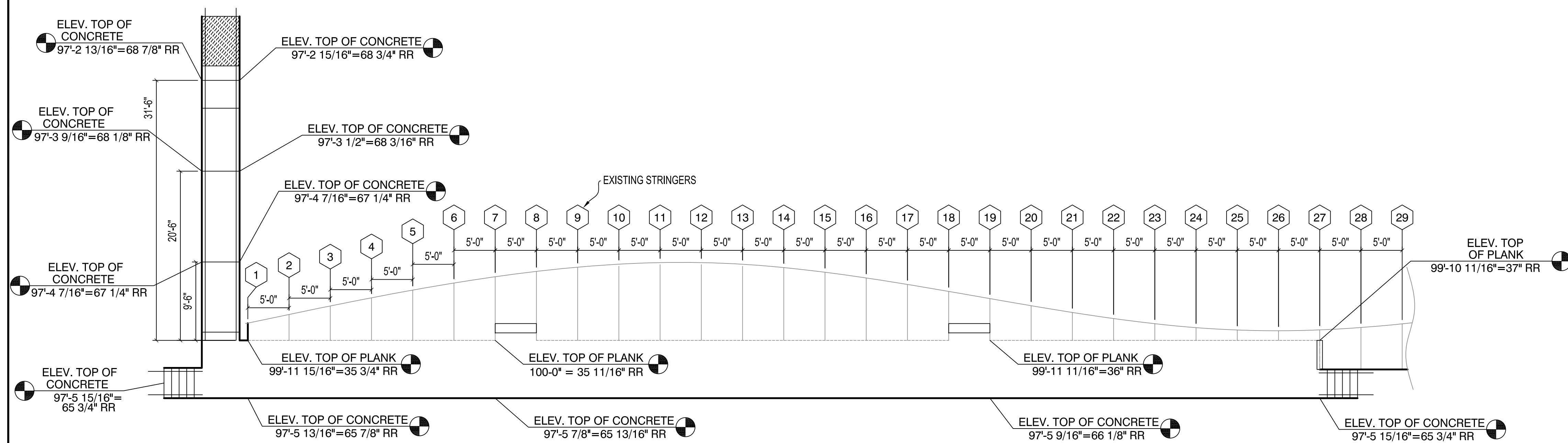
**NOT FOR  
CONSTRUCTION**

1 — DETAIL NUMBER  
6 — SHEET SHOWN ON

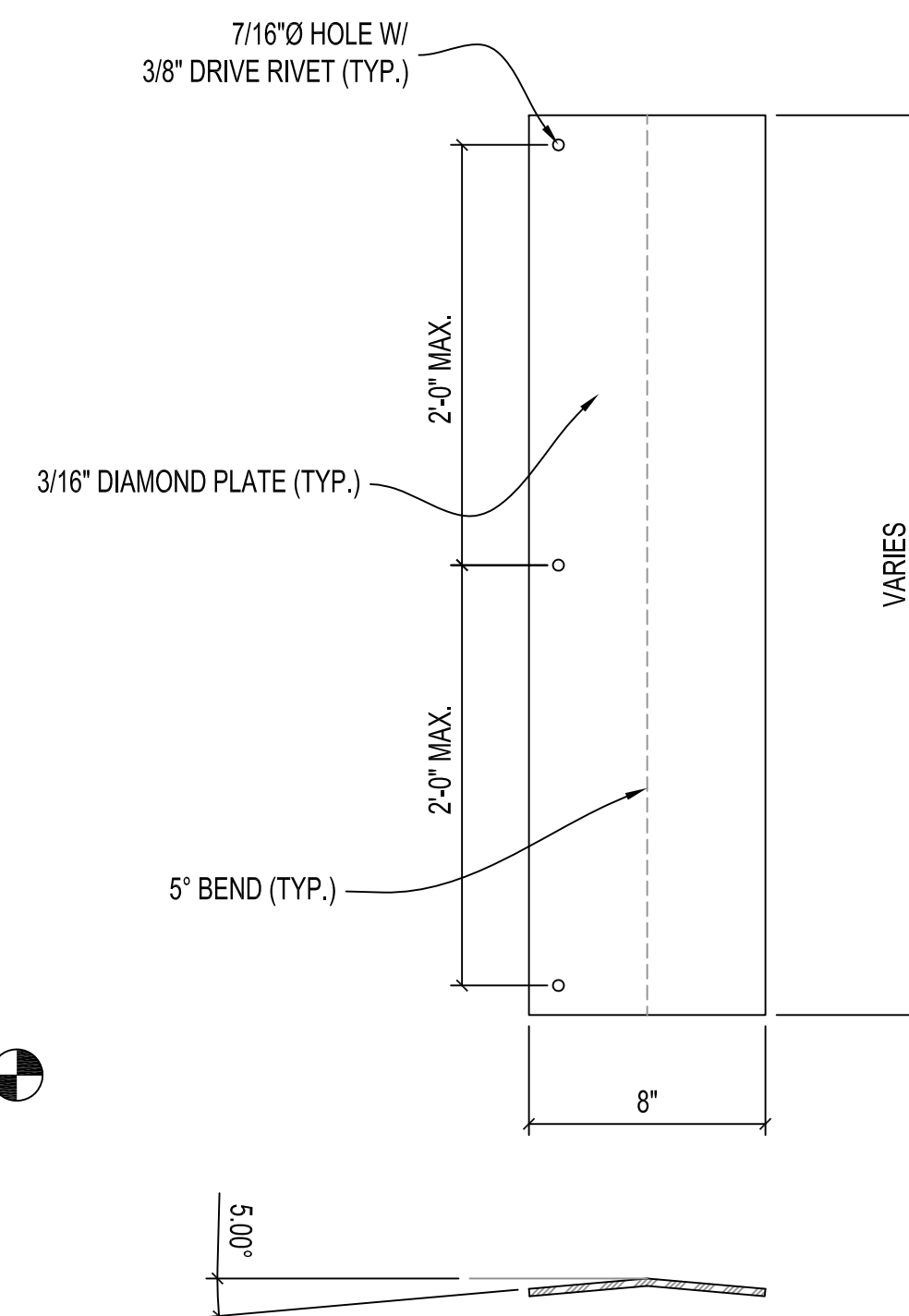
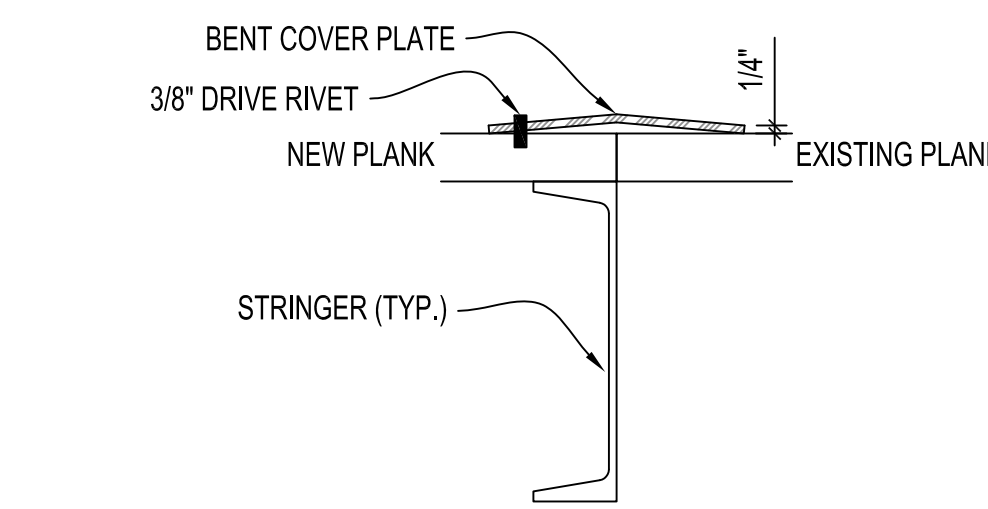


**1 RENOVATED SEATING LAYOUT**  
SCALE: 1/8"=1'-0"

100'-0" = 35 11/16 RR (ROD READING)



**2 EXISTING ELEVATIONS**  
SCALE: 1/8"=1'-0"



**3 BENT COVER PLATE DETAIL**  
NOT TO SCALE

TITLE:  
RENOVATED SEATING LAYOUT

PROJECT:  
FOOTBALL FIELD RENOVATIONS  
CCCCSD  
OZONA, TEXAS

INFD:  
RISE N/A  
TREAD N/A  
ROWS 15  
LENGTH N/A



**STEEL STADIUMS**  
P.O. BOX 2048 4688 HWY. 16 SOUTH  
GRAHAM, TEXAS 76450  
PHONE: 940-549-5700 FAX: 940-549-5723

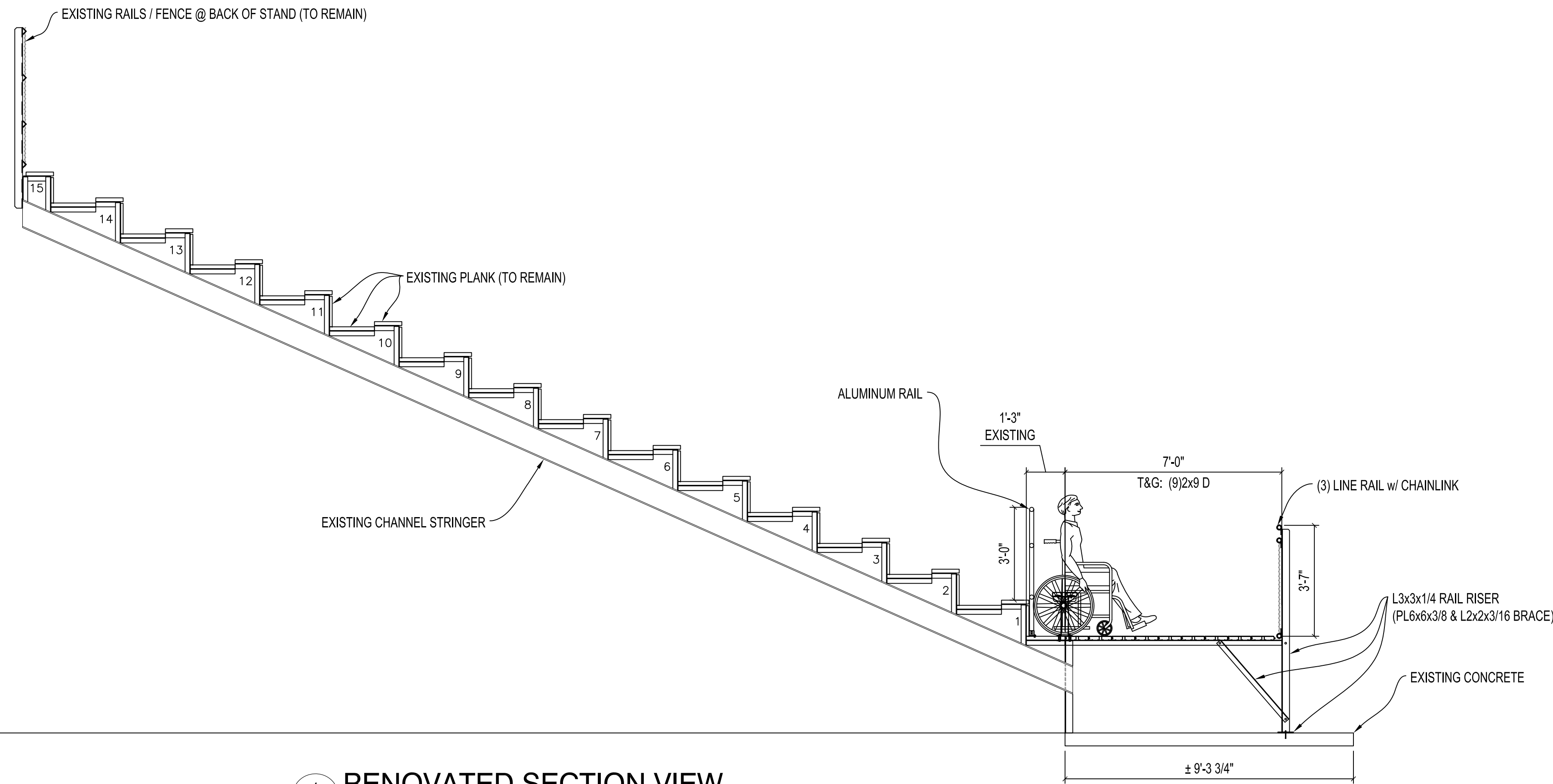
REV BY	DATE	DESCRIPTION

BY: SMR CK: JC DATE: 05/07/10

JOB NO. 10-P-027 SHEET 2 OF 6

NOT FOR  
CONSTRUCTION

1 — DETAIL NUMBER  
6 — SHEET SHOWN ON



1  
3 **RENOVATED SECTION VIEW**  
SCALE: 3/8"=1'-0"

TITLE:  
RENOVATED SECTION VIEW

PROJECT:  
FOOTBALL FIELD RENOVATIONS  
CCCCSD  
OZONA, TEXAS

INFD:  
RISE N/A  
TREAD N/A  
ROWS 15  
LENGTH N/A



**STEEL STADIUMS**

P.O. BOX 2048 4688 HWY. 16 SOUTH  
GRAHAM, TEXAS 76450  
PHONE: 940-549-5700 FAX: 940-549-5723

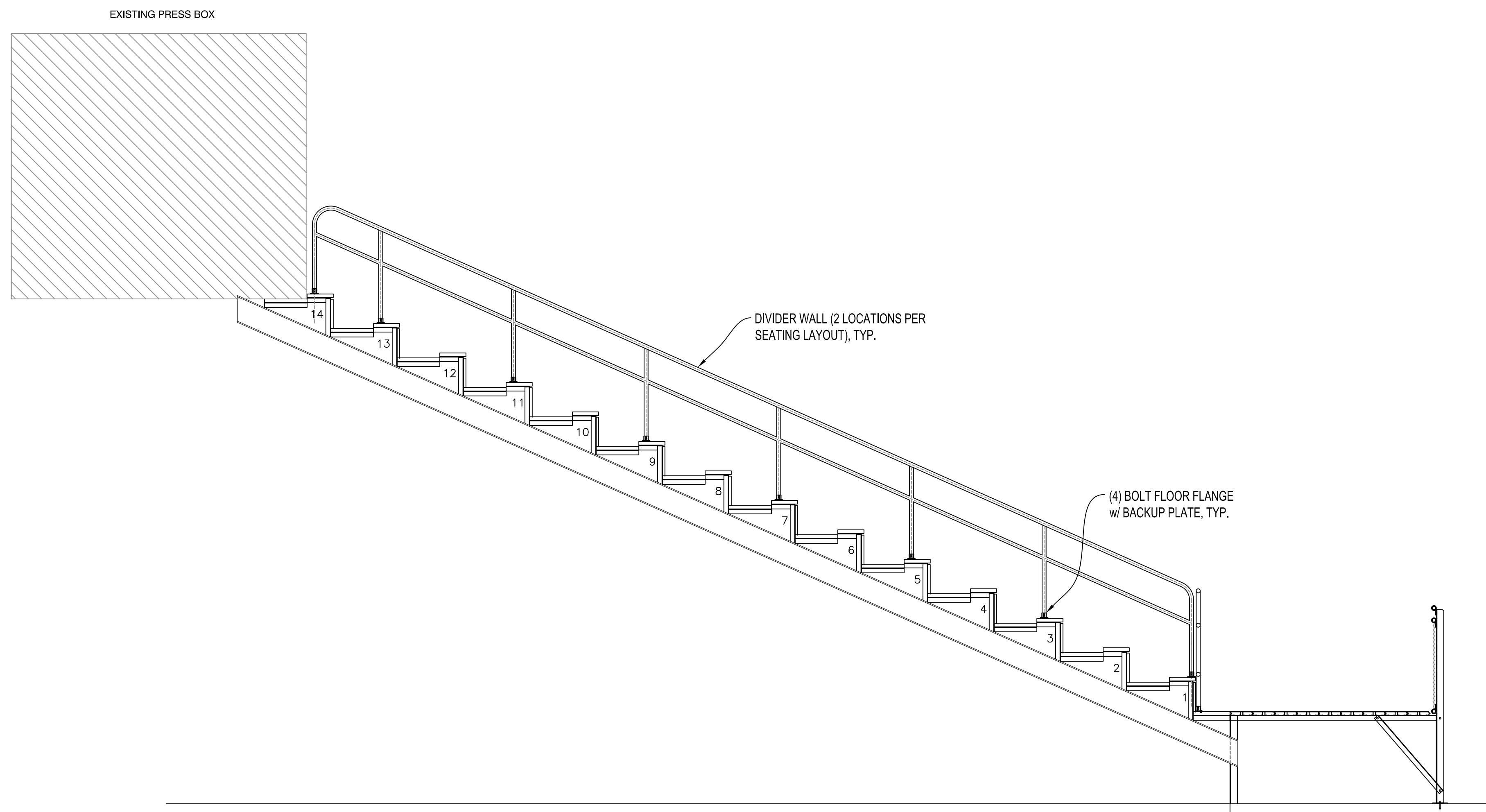
REV	BY	DATE	DESCRIPTION

BY: SMR CK: JC DATE: 05/07/10

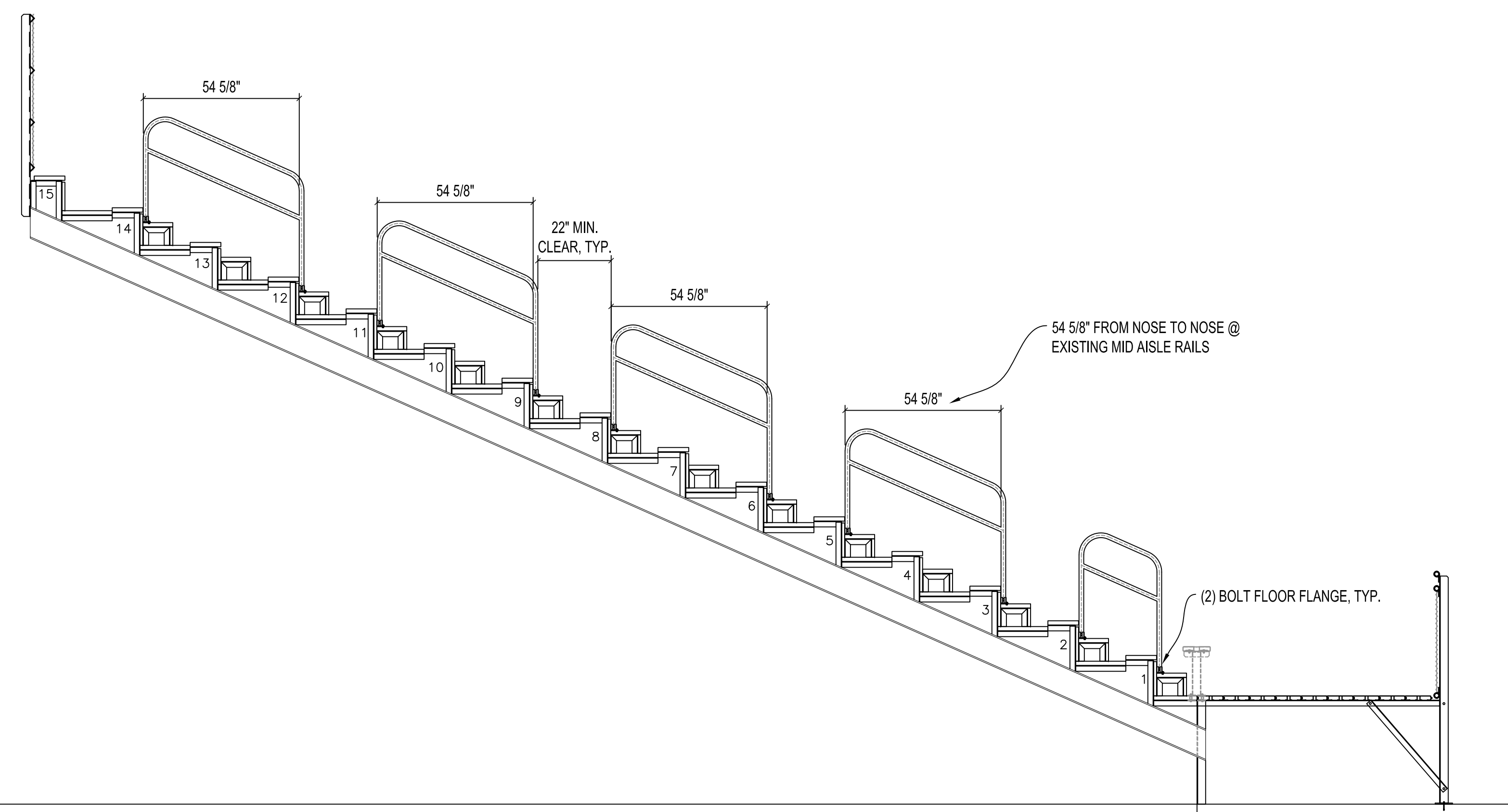
JOB NO. 10-P-027 SHEET 3 OF 6

**NOT FOR  
CONSTRUCTION**

1 — DETAIL NUMBER  
6 — SHEET SHOWN ON



2  
4 **DIVIDER-RENOVATED SECTION VIEW**  
NOT TO SCALE



1  
4 **MID-AISLE HANDRAIL-RENOVATED SECTION VIEW**  
NOT TO SCALE

TITLE:  
MID-AISLE HANDRAIL  
RENOVATED SECTION VIEW

PROJECT:  
FOOTBALL FIELD RENOVATIONS  
CCCCSD  
OZONA, TEXAS

INFD:  
RISE N/A  
TREAD N/A  
ROWS 15  
LENGTH N/A



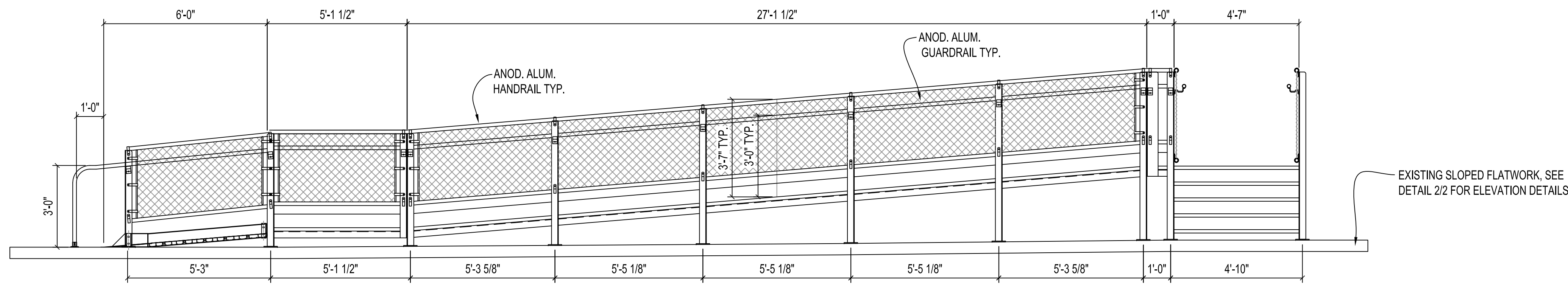
**STEEL STADIUMS**

P.O. BOX 2048 4688 HWY. 16 SOUTH  
GRAHAM, TEXAS 76450  
PHONE: 940-549-5700 FAX: 940-549-5723

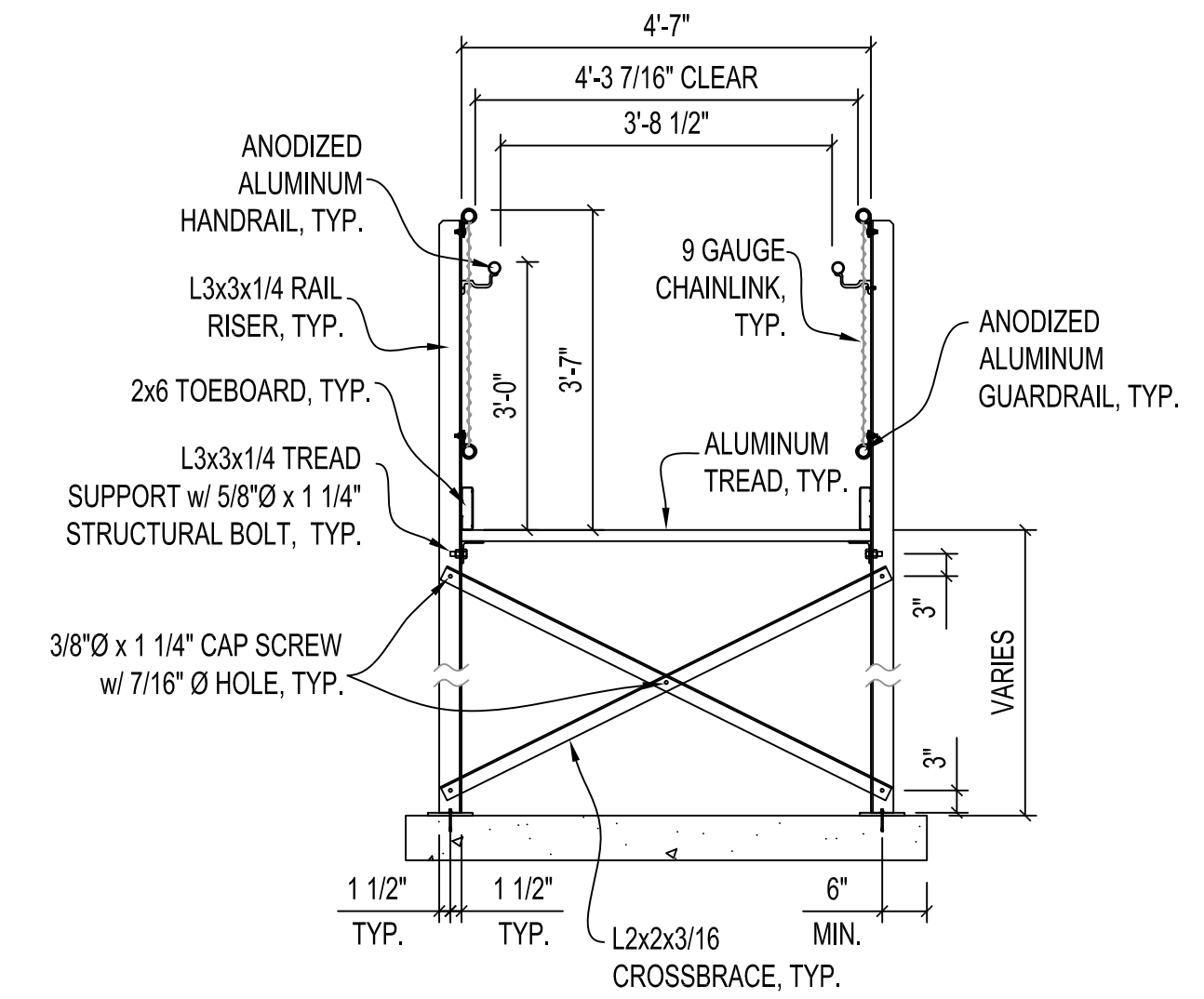
REV	BY	DATE	DESCRIPTION

BY: SMR CK: JC DATE: 05/07/10

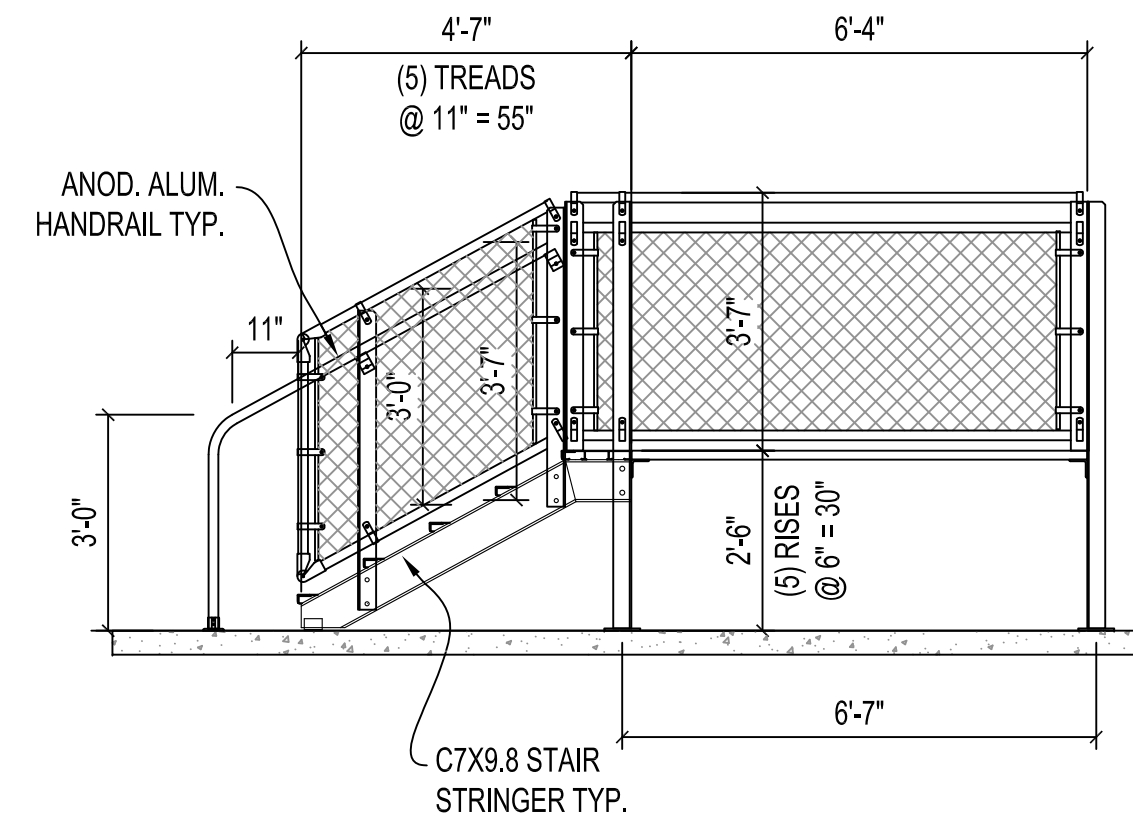
JOB NO. 10-P-027 SHEET 4 OF 6



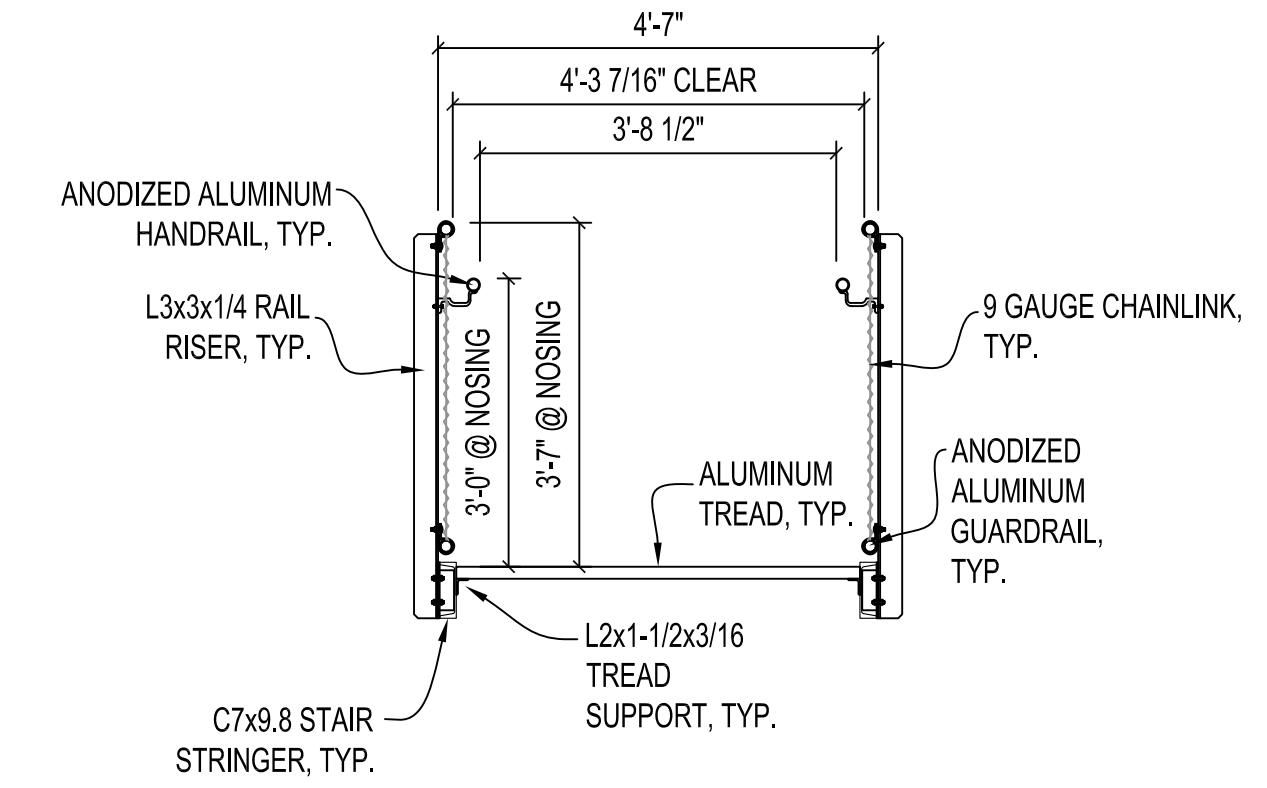
1 EXIT RAMP DETAIL  
5 SCALE: 3/8"=1'-0"



3 EXIT RAMP SECTION  
5 NOT TO SCALE



2 EXIT STAIR DETAIL  
5 SCALE: 3/8"=1'-0"



4 EXIT STEPS SECTION  
5 NOT TO SCALE

NOT FOR CONSTRUCTION

1 - DETAIL NUMBER  
6 - SHEET SHOWN ON

TITLE:  
EXITS  
RENOVATED SECTION VIEW

PROJECT:  
FOOTBALL FIELD RENOVATIONS  
CCCCSD  
OZONA, TEXAS

INFO:  
RISE  
TREAD  
ROWS  
LENGTH



STEEL STADIUMS  
P.O. BOX 2048 4688 HWY. 16 SOUTH  
GRAHAM, TEXAS 76450  
PHONE: 940-549-5700 FAX: 940-549-5723

REV	BY	DATE	DESCRIPTION

BY: SMR CK: JC DATE: 05/07/10

JOB NO. 10-P-027 SHEET 5 OF 6