

## NES Bleachers

I have been given a rough estimate for the cost of putting bleachers in the gym at NES from

The cost is \$30,000 for collapsible seating that doesn't escalate. When collapsed they will stick out 3' 6" from the wall. Extended length from the wall is just over 8' which would keep them out of the playing area with about 2' to spare.

To go to the escalated bleachers (collapse and fold) allows them to collapse to within 1' 6" from the wall would add an additional \$5,000 to \$6,000 to the cost.

The seating capacity will be 186 with a life expectancy of 25 years. The bottom row of seating is at floor level which allows for 141 to sit higher. They will be motorized to open and close with the use of a removable controller. There are a myriad of colors to choose from that can be determined at the time of ordering.

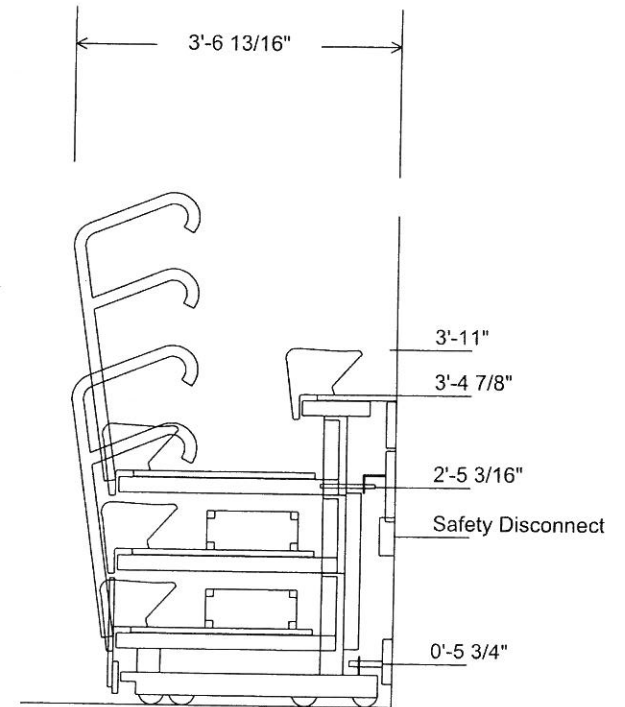
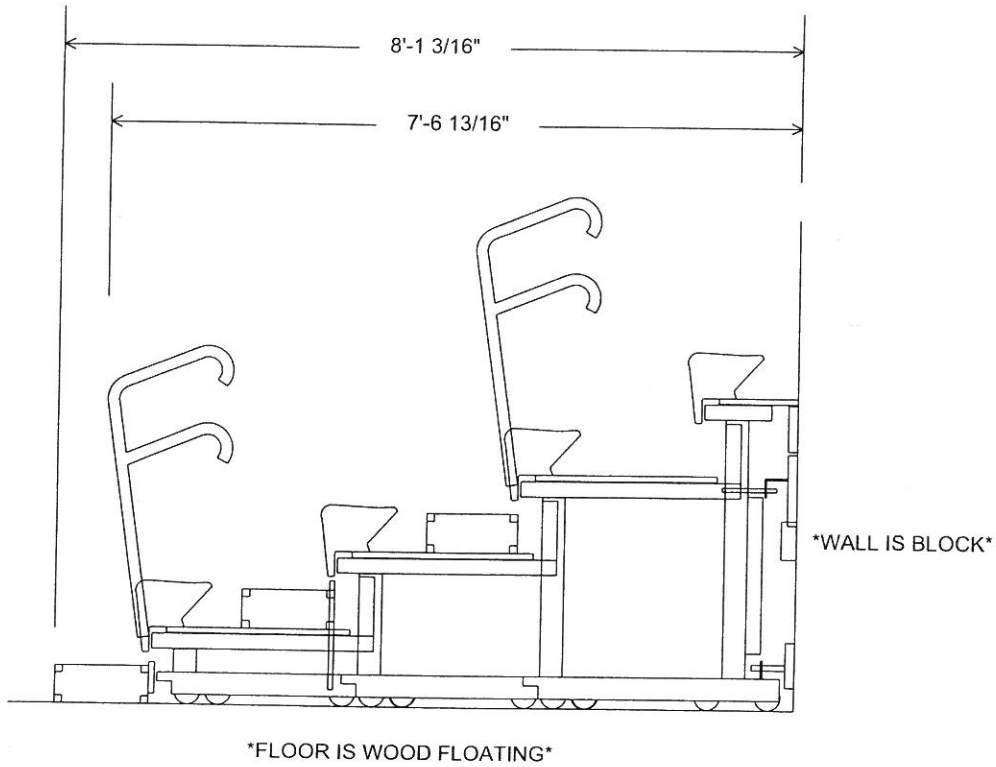
Kristi has 2 or 3 events a year that require seating in the gym. Even though NCRD uses our gym those aren't considered school functions. Any group wishing to use the gym with the bleachers extended would need to give us notice so we can extend them before their event.

I, personally, have not heard any complaints about the current arrangement for seating in the gym nor has Kristi. I am very aware of the fact that any time changes are made it can create problems. I have no problem taking whatever steps the board wishes to pursue on this matter.

Attached are the drawings that will give you a good idea of what they will look like.

# Nehalem Grade School

Bank 1 - 100'-0" Friction Power  
Building Code: IBC 2015  
4 Row - 24 Span - 10.25 Rise - Wall Attached  
232 seats (EM10)



5981 East Cork Street, PO Box 2107, Kalamazoo, MI 49003-2107  
telephone (269) 349-1521 fax (269) 349-6530

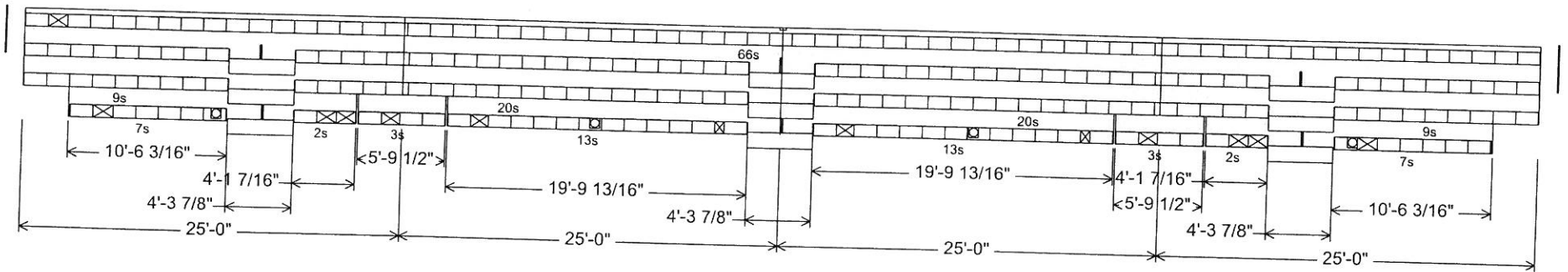
Drawings produced by this program are only as good as the information provided. These drawings are PRELIMINARY only.  
All drawings created are subject to Interkal approval for design and construction capability.  
Printed: May 23, 2019 v2.5.1

**POWER REQUIREMENTS:**

1. Wiring and non-fusible safety switch(es) suitable for the line voltage to be provided by electrical contractor or others with branch circuit protection to each not exceeding 15 amps.
2. Branch circuit protection devices by others to be accessible when platforms are closed.
3. Verify electrical information:  
Circuit 3 Phase, 208-230 Volts, 60 Hertz.  
Each 1/2 Horse Power Motor Draws 2.0-2.2 amps. Full Load.  
Motors run simultaneously.
4. Junction box(es) by electrical contractor to be mounted at locations TBD, 5' AFF. Typical location shall be at section joints.

# Nehalem Grade School

Bank 1 - 100'-0" Friction Power  
Building Code: IBC 2015  
102'-6" Clear Dimension  
4 Row - 24 Span - 10.25 Rise  
232 seats (EM10)



5981 East Cork Street, PO Box 2107, Kalamazoo, MI 49003-2107  
telephone (269) 349-1521 fax (269) 349-6530

Drawings produced by this program are only as good as the information provided. These drawings are PRELIMINARY only.  
All drawings created are subject to Interkal approval for design and construction capability.  
Printed: May 23, 2019 v2.5.1