



# UNITED INDEPENDENT SCHOOL DISTRICT AGENDA ACTION ITEM

**Topic:** Approval of Award for JOC 011-2019 Future Trautmann Middle School Roof Restoration Project

**Submitted by:** Cordelia Jackson / Rogelio Gutierrez **Of:** Director of Purchasing / Director of Maintenance & Operations

**Date Assigned for Board Consideration:** November 20, 2019

**Recommendations:**

Administration recommends approval of JOC 011-2019 Future Trautmann Middle School Roof Restoration Project to **American Contracting & Roofing** in the total base bid amount of **\$970,000.00**. Which Includes Base Bid Amount of \$845,000.00 and \$80,000.00 in contingency allowance (for District use and approval only) + Alternate #1 In the amount of \$45,000.00.

**Budgetary Information:**

Bond Proceeds

**Board Policy Reference and Compliance**

CV Legal – Facilities Construction

Government Code 2269



# UNITED INDEPENDENT SCHOOL DISTRICT

## Memorandum

TO: Ms. Cordelia Flores Jackson, Director of Purchasing

FROM: Rogelio Gutierrez, Director of Maintenance & Operations *RG*

DATE: November 1, 2019

SUBJECT: JOC 011-2019 FUTURE TRAUTMANN MIDDLE SCHOOL ROOF RESTORATION PROJECT

---

After careful review of the tabulation information provided to me by your staff, for JOC 011-2019 FUTURE TRAUTMANN MIDDLE SCHOOL ROOF RESTORATION PROJECT, I recommend, for your consideration, based on, value to the district, ability to perform and provide the needed services and materials, to:

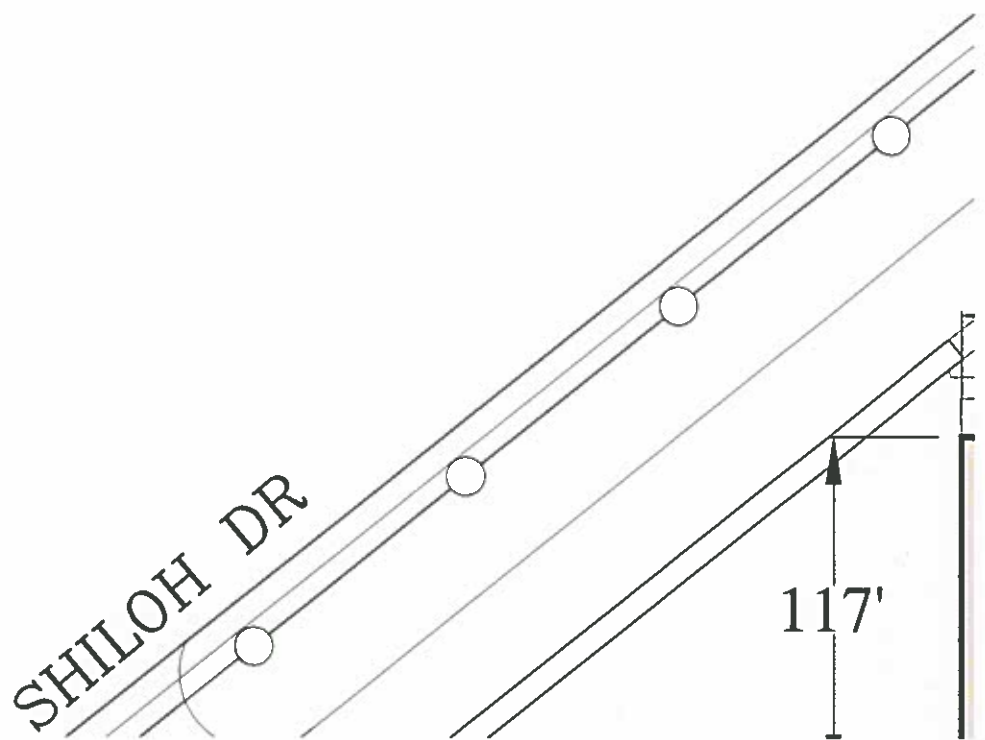
<b>AMERICAN CONTRACTING &amp; ROOFING, LLC</b>	
<b>TOTAL BASE BID</b>	<b>\$ 845,000.00</b>
<b>CONTINGENCY ALLOWANCE</b>	<b>\$ 80,000.00</b>
<b>(FOR DISTRICT USE AND APPROVAL ONLY)</b>	
<b>ALTERNATE #1 PROPOSAL</b>	<b>\$ 45,000.00</b>
<b>TOTAL</b>	<b>\$ 970,000.00</b>

Please insure that this vendor has met all procurement and bid requirements.

If you have any questions, please let me know.

**United Independent School District**  
**JOC# 011-2019**  
**Future Trautmann Middle School Roof Restoration Project**

Description	American Contracting & Roofing	Heilas Construction	Leyendecker Construction of Texas	Quantum Construction, LLC	Romo Construction	Summit Building & Design	Sunbelt Building & Design	Zertuche Construction, LLC
<b>Base Bid Proposal Amount</b>	\$845,000.00			\$863,688.00				
<b>Contingency Allowance (For District Use and approval Only)</b>	\$80,000.00			\$80,000.00				
<b>Total Bid Proposal Amount (Including Contingency Allowance)</b>	\$925,000.00	No Bid	No Bid	\$943,688.00	No Bid	No Bid	No Bid	No Bid
<b>Alternate #1 Proposal Amount</b>	\$45,000.00			31708.75				
<b>Total Bid Proposal Amount (Including Contingency Allowance) + Alt #1 Proposal Amount</b>	<u>\$970,000.00</u>			\$975,396.75				



SHILOH DR

128'

