

8/10/2024

Eagle Scout Project- Ryan Bogli Troop 425 Bristol, CT

Adult Contact- Nathan Bogli 860-490-4908

Project Proposal

Build Gaga Ball Pit at West Bristol School

The Gaga Ball Pit area has been staked out by the back entrance near the gym. Call Before You Dig has flagged/sprayed all utility lines located near the build area.

Construction Plan

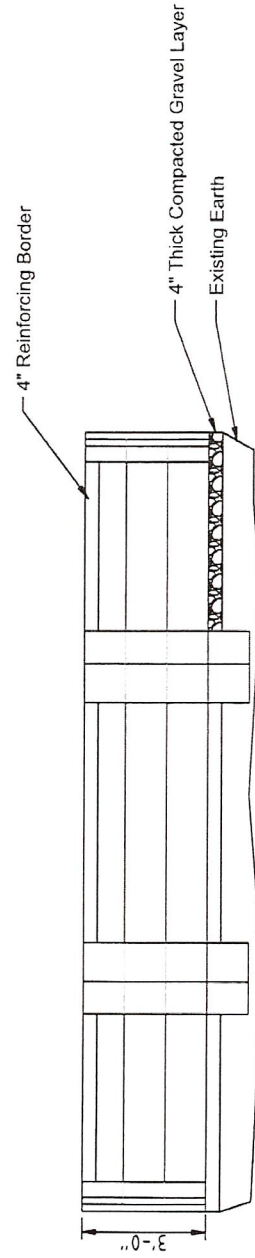
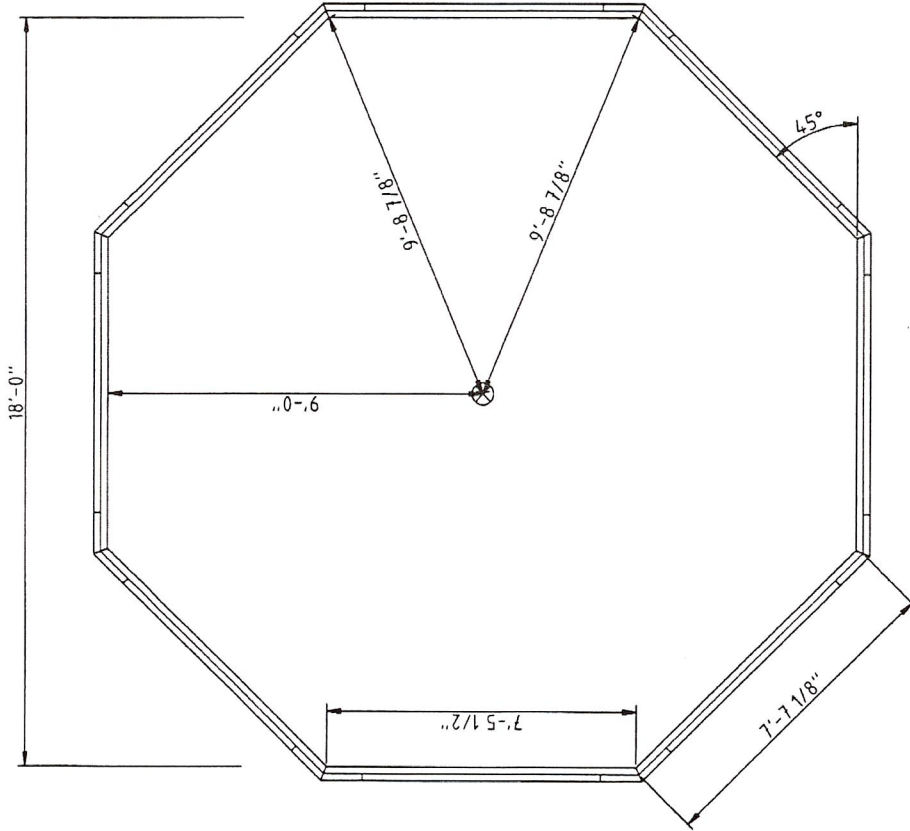
1. Excavate- removal of grass layer and level octagon playing area with either a skid steer (Bobcat) or small excavator
2. Add layer of Geotextile fabric
3. Add 3/8 stone base layer, approximately 4 inches thick, and compact with a plate compactor
4. Add a 2nd layer of Geotextile fabric
5. Erect and attach (8) 3'x8' Hemlock wood walls in octagon shape (see design plans)
One wall will include a cut out step over entrance
One wall will include a 4' ADA accessible swing out door with hinges and lock
6. Install artificial grass turf playing surface

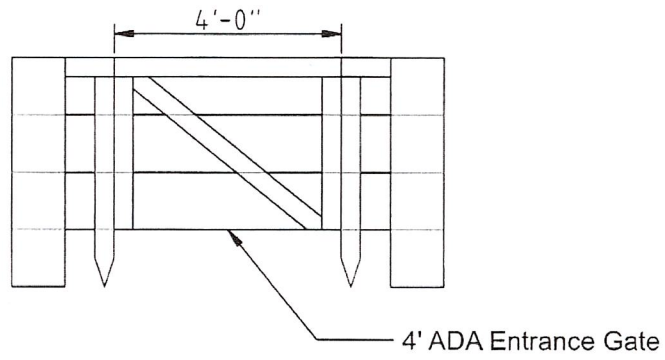
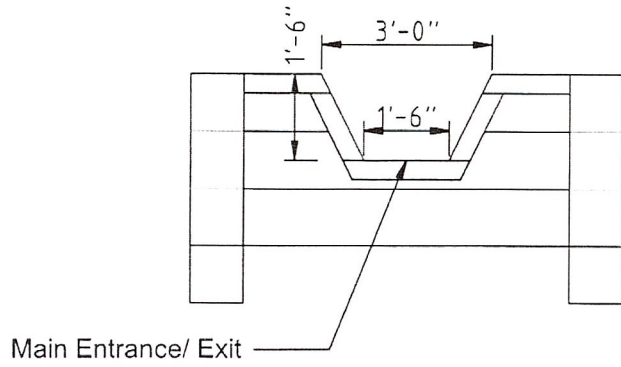
Material Cost

Item	Value (estimate)	Donation	Total Cost
Bobcat/ Excavator (rental)	\$300.00	Yes	\$0
Base Rock	\$150.00	Yes	\$0
Plate Compactor (rental)	\$100.00	Yes	\$0
Geotextile Fabric	\$320.00	Yes	\$0
Lumber	\$480.00	Portion	\$22.12
Water Sealant	\$59.98	Yes	\$0
Screws	\$125.82	Portion	\$60.57
Hinges	\$64.02	No	\$64.02
Artificial Grass Turf	\$720.00	Yes	\$0
Grass Turf Install Materials	\$737.32	No	\$737.32
Misc. Building Supplies	\$46.97	No	\$46.97

Eagle Scout Project
Gaga Ball Pit

By: Ryan Bogli - Troop 425
For: West Bristol School





Eagle Scout Project
Gaga Ball Pit
By: Ryan Bogli - Troop 425
For: West Bristol School