


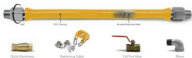




Quote

04/24/2026

Project:
Harleton ISD

From:
Restaurant Source & Supply
Sissy Worley
12265 State Highway 64 W
Tyler, Texas 75704
903-630-3110
903-630-3110 (Contact)

Item	Qty	Description	Sell	Sell Total
1	1 ea	CONVECTION OVEN, GAS  Vulcan Model No. VC55GD Convection Oven, gas, double-deck, standard depth, solid state controls, electronic spark ignition, 5-hour timer with digital display enhancement , 150° to 500°F temperature range, (5) oven racks per deck, independently operated removable doors with windows, porcelain on steel interior, interior light, stainless steel front, top, sides & 8"H legs, (2) 1/2 HP blower motors, (2) 50,000 BTU, NSF, CSA Star, CSA Flame, ENERGY STAR® 1 ea 1 year limited parts & labor warranty, standard 1 ea Natural gas (specify elevation if over 2,000 ft.) 1 ea (2) 120v/60/1-ph, 15.4 amps total, (2) cords with plugs, standard 1 ea Gas manifold piping included with stacking kit to provide single point gas connection	\$12,266.63	\$12,266.63
			ITEM TOTAL:	\$12,266.63
4	2 ea	GAS CONNECTOR HOSE KIT / ASSEMBLY  Klinger's Trading Model No. GH75KIT48 Easyflex® Commercial Gas Connector Kit, 3/4" inside dia., includes: 48" long PVC-coated, non-flammable braided stainless steel hose with 360° rotational ends, quick disconnect, restraining cable, full port valve & (2) 90° elbows, cCSAus (NET price) (tariff exempt)	\$149.00	\$298.00
			ITEM TOTAL:	\$298.00
2	1 ea	CONVECTION OVEN, GAS	\$12,130.63	\$12,130.63

Item	Qty	Description	Sell	Sell Total
		Vulcan Model No. VC44GD Convection Oven, gas, double-deck, standard depth, solid state controls, electronic spark igniters, 60 minute timer , (5) nickel plated racks per oven, stainless steel front, top, sides & 8"H legs, stainless steel doors with windows, (2) 50,000 BTU, NSF, CSA Star, CSA Flame, ENERGY STAR®		
	1 ea	1 year limited parts & labor warranty, standard		
	1 ea	Natural gas (specify elevation if over 2,000 ft.)		
	1 ea	(2) 120v/60/1-ph, 15.4 amps total, (2) cords with plugs, standard		
	1 ea	Gas manifold piping included with stacking kit to provide single point gas connection		
			ITEM TOTAL:	\$12,130.63
5	2 ea	GAS CONNECTOR HOSE KIT / ASSEMBLY Klinger's Trading Model No. GH75KIT48 Easyflex® Commercial Gas Connector Kit, 3/4" inside dia., includes: 48" long PVC-coated, non-flammable braided stainless steel hose with 360° rotational ends, quick disconnect, restraining cable, full port valve & (2) 90° elbows, cCSAus (NET price) (tariff exempt)	\$149.00	\$298.00
				
			ITEM TOTAL:	\$298.00
3	1 ea	CONVECTION OVEN, GAS Dukers Appliance Co., USA Ltd. Model No. DCCOG2 Convection Oven, gas, double-deck, 38"W x 39-3/4"D x 68-1/2"H, standard depth, 50/50 dependent doors with double pane thermal tempered glass, 175°F to 500°F temperature range, digital controller , 2-speed-fan with adjustable cool down mode, interior lighting, (5) wire racks (per oven), removable 11-position rack guides (per oven), door interlock switches, automatic pilot system with safety shut-off, stainless steel exterior, includes leg kit with (4) stainless steel legs & locking casters, 108,000 BTU/HR, cCSAus, CSA-Sanitation	\$7,868.91	\$7,868.91
				
	1 ea	NOTE: Pricing does not include transportation, installation, removal of old unit or removal of product packaging		
	1 ea	1 year parts & labor warranty, standard		
	1 ea	Natural gas		
			ITEM TOTAL:	\$7,868.91
6	2 ea	GAS CONNECTOR HOSE KIT / ASSEMBLY Klinger's Trading Model No. GH75KIT48 Easyflex® Commercial Gas Connector Kit, 3/4" inside dia., includes: 48" long PVC-coated, non-flammable braided stainless steel hose with 360° rotational ends, quick disconnect, restraining cable, full port valve & (2) 90° elbows, cCSAus (NET price) (tariff exempt)	\$149.00	\$298.00
				
			ITEM TOTAL:	\$298.00

Restaurant Source & Supply

04/24/2026

Subtotal	\$33,160.17
Total	\$33,160.17

All Electrical, Plumbing, And Installs To Be Done By Others
All Electrical Gas & Plumbing Hooks Up To Be Done By Others.
Returned Or Canceled Items May Be Subject To 10% Restock Fees

Signed Quoted With Pay At Delivery Terms May Incur Restock Fees If Cancellation Occurs

Acceptance: _____ Date: _____

Printed Name: _____

Project Grand Total: \$33,160.17

OVENS

VULCAN**VC55G SERIES
DOUBLE DECK GAS CONVECTION OVEN
WITH REMOVABLE DOORS**

Model VC55GD
Shown with optional casters

**SPECIFICATIONS**

Double section gas convection oven, Vulcan Model No. VC55GD. Stainless steel front, sides, top and legs. Independently operated stainless steel doors with double pane windows. Non-sag insulation applied to the top, rear, sides, bottom and doors. Porcelain enamel on steel oven interiors measures 29"w x 22¹/₈"d x 20"h. One interior oven light per section. Five nickel plated oven racks per section measure 28¹/₄" x 20¹/₂" with grab-and-go front cut out. Eleven position nickel plated rack guides with positive rack stops. One 50,000 BTU/hr. burner per section. 100,000 total BTU/hr. Electronic spark igniters. Furnished with a two speed 1/2 H.P. oven blower-motor per section. Oven cool switch for rapid cool down. 120 volt, 60 Hz, 1 ph power supply required. 6' cord and plug. 7.7 amps total draw per section.

Exterior Dimensions:

40"w x 40"d (includes motor & door handles) 37¹/₄"d (includes motor only) x 68³/₄"h on 8" legs.

CSA design certified. NSF listed.

**SPECIFY TYPE OF GAS WHEN ORDERING.
SPECIFY ALTITUDE WHEN ABOVE 2,000 FT.**

- VC55GD** Solid state temperature dial controls adjust from 150° to 500°F with digital display enhancement. 5-hour timer with audible alarm.

STANDARD FEATURES

- Independently operated lift-off stainless steel doors with double pane windows.
- On-board diagnostics for easy servicing
- Stainless steel front, sides and top.
- Five nickel plated grab-and-go oven racks with eleven rack positions.
- Painted legs.
- 5-hour timer with digital display enhancement.
- Cool-to-the-touch handles.
- 50,000 BTU/hr. burner.
- Electronic spark igniter.
- 1/2 H.P. two speed oven blower-motor. 120/60/1 with 6' cord and plug. 7.7 amps total draw.
- Oven cool switch for rapid cool down.
- Porcelain enamel on steel oven interior.
- 3/4" rear gas connection with combination gas valve / pressure regulator and safety solenoid system.
- One year limited parts and labor warranty.
- Three year limited warranty on doors.

OPTIONS

- Stainless steel legs.
- Casters.
- Second year extended limited parts and labor warranty.

ACCESSORIES

- Extra oven rack(s).
- Rack hanger.
- Stainless steel drip pan.
- Flexible gas hose with quick disconnect and restraining device. Consult price book for available sizes.
- Down draft flue diverter for direct vent connection.

VULCAN

a division of ITW Food Equipment Group LLC

P.O. Box 696 ■ Louisville, KY 40201 ■ Toll-free: 1-800-814-2028 ■ Local: 502-778-2791 ■ Quote & Order Fax: 1-800-444-0602

O V E N S



VC55G SERIES
DOUBLE DECK GAS CONVECTION OVEN
WITH REMOVABLE DOORS

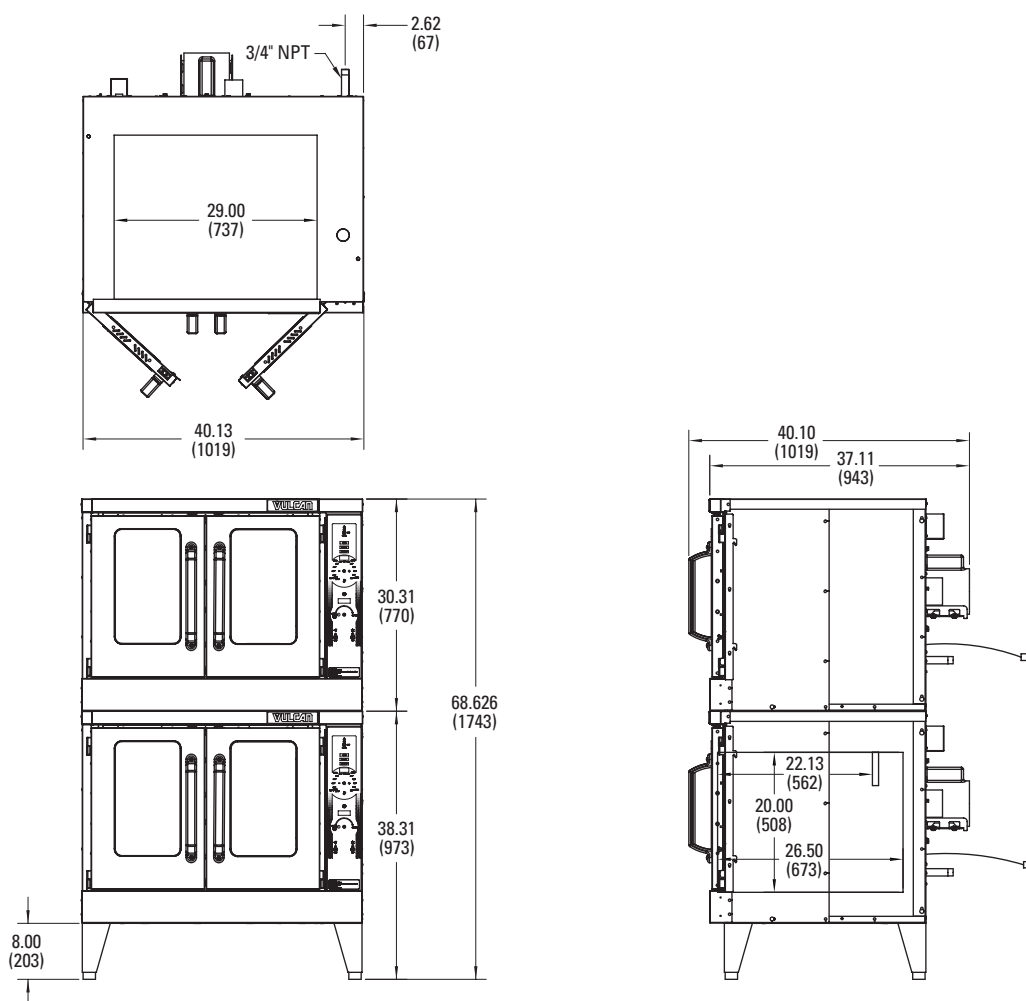
INSTALLATION INSTRUCTIONS

1. A combination gas valve/pressure regulator and safety solenoid system is included in this unit. Natural gas is 5.0" W.C., Propane gas is 10.0" W.C.
2. An adequate ventilation system is required for commercial cooking equipment. Information may be obtained by writing to the National Fire Protection Association, Batterymarch Park, Quincy, MA 02289. When writing, refer to NFPA No. 96.
3. These units are manufactured for installation in accordance with ANSZ223.1 (latest edition), National Fuel Gas Code. Copies may be obtained from American Gas Association Inc.,

Accredited Standards Committee Z223, 400 N. Capitol St. NW, Washington, DC 20001 or the Secretary Standards Council, NFPA, 1 Batterymarch Park, Quincy, MA 02169-7471.

4. Clearances:

	Combustible	Non-combustible
Rear	0"	0"
Right Side	2"	0"
Left Side	1"	0"
5. This appliance is manufactured for commercial installation only and is not intended for home use.



MODEL NO.	WIDTH	DEPTH (INCLUDES HANDLES)	HEIGHT	BTU/HR. PER OVEN	TOTAL BTU/HR.	ELECTRICAL	WEIGHT			
							WITH SKID & PACKAGING		WITHOUT SKID & PACKAGING	
							LBS.	KG	LBS.	KG
VC55G	40"	40"	68¾"	50,000	100,000	120/60/1	778	352	666	302



a division of ITW Food Equipment Group LLC

P.O. Box 696 ■ Louisville, KY 40201 ■ Toll-free: 1-800-814-2028 ■ Local: 502-778-2791 ■ Quote & Order Fax: 1-800-444-0602

NOTE: In line with its policy to continually improve its products, Vulcan reserves the right to change materials and specifications without notice.

COMMERCIAL GAS CONNECTOR KIT

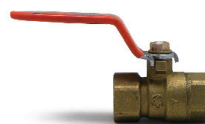
Easyflex's Gas Connector Kit features a PVC-coated, non-flammable gas hose with a stainless steel braid. It also has 360° rotational ends allowing for flexible installation and maximum protection to the hose. Included in the kit are a quick disconnect, restraining cable, full port valve, and 2 elbows. Customized kits are also available upon request.



Quick Disconnect



Restraining Cable



Full Port Valve



Elbow

Contents of Kits

Kit #	BJ Series Hose	Quick Disconnect	Swivel	Elbow	Full Port Valve	Restraining Cable
Kit 1	1	1	0	2	1	1

"BJ" Series Hose Sizes and Kit Model Numbers

BJ Hose Size	36" L	48" L
1/2" ID, 5/8" OD	GH50KIT36 (EFGC-012-FS-K1-36)	GH50KIT48 (EFGC-012-FS-K1-48)
3/4" ID, 1" OD	GH75KIT36 (EFGC-034-FS-K1-36)	GH75KIT48 (EFGC-034-FS-K1-48)
1" ID, 1-1/4" OD	GH100KIT36 (EFGC-100-FS-K1-36)	GH100KIT48 (EFGC-100-FS-K1-48)

"BJ" Series Hose Specifications

ID	BJ Hose Part #	Fittings	Lengths
1/2"	EFGC-012-BJ-1010	1/2" MIP x 1/2" MIP	24", 36", 48", 60", 72"
3/4"	EFGC-034-BJ-1414	3/4" MIP x 3/4" MIP	
1"	EFGC-010-BJ-1616	1" MIP x 1" MIP	

Tube & Braid Material	Stainless Steel 304 (ASTM A240)
Coating Material	Non-Flammable, Yellow PVC
Fittings Material	Zinc-Plated Steel S45C
Quick Disconnect Material	Brass
Max. Operating Pressure	1/2 psi

"BJ" Series Hose Minimum Flow Capacity

Straight Length Capacity (BTU/Hr., 0.64 Sp Gr., 1,000 BTU per cubic ft. at 0.5 inch W.C. pressure drop)

Series	ID (OD)	12"	18"	24"	30"	36"	48"	60"	72"
012	1/2" (5/8")	180,000	164,200	150,000	136,000	125,000	106,000	93,200	86,000
034	3/4" (1")	-	-	290,900	270,500	255,900	215,900	197,400	173,900
010	1" (1-1/4")	-	-	581,800	545,200	515,900	442,700	398,900	347,300

The above flow capacities are the minimum performance requirement EASYFLEX gas connectors exceed these minimum flow capacities requirements.

Design Certifications & Approvals

- Connectors for Movable (Commercial) Gas Appliances - ANSI Z21.69/CSA 6.16
- Quick Disconnect for Gas Appliances - ANSI Z21.41/CSA 6.9
- Manual Gas Valves for Appliances - ANSI Z21.15/CSA 9.1
- Swivel - UL 567_Pipe connection fittings for flammable and combustible liquids including LP gas. ANSI Z223.1/NFPA 54 National Gas Fuel Code. Cannot be used in temperatures below 32°F. For indoor use only.
- All movable (commercial) gas equipment must be secured with a restraining cable.



Job Name:
Job Location:
Submittal Date:
Engineer/Architect:
Wholesaler:
Contractor:

Easyflex Gas Connector Kit Distributed by:



3009 Bankers Industrial Drive
Atlanta, GA 30360
770 246 6006
www.klingerstrading.com



VC44G SERIES

Double Deck Gas Convection Ovens



SELL SHEET

Model VC44GD

Shown on optional casters



SPECIFIER STATEMENT

Double section gas convection oven, Vulcan Model No. (VC44GD) (VC44GC). Stainless steel front, sides, top and legs. Independently operated stainless steel doors with double pane windows. Non-sag insulation applied to the top, rear, sides, bottom and doors. Porcelain enamel on steel oven interiors measures 29" w x 22½" d x 20" h. Two interior oven lights per section. Five nickel plated oven racks per section measure 28¾" x 20½". Eleven position nickel plated rack guides with positive rack stops. One 50,000 BTU/hr. burner per section. 100,000 total BTU/hr. Electronic spark igniters. Furnished with a two speed ½ H.P. oven blower-motor per section. Oven cool switch for rapid cool down. 120 volt, 60 Hz, 1 ph power supply required. 6' cord and plug. 7.7 amps total draw per section.

Exterior Dimensions:

40¼" W x 40" D (includes motor & door handles)

40¼" W x 37¾" D (includes motor only)

70" H on 8" legs

CSA design certified. NSF listed.

Specify type of gas when ordering.

Specify altitude when above 2,000 FT.

Project _____

AIA # _____ SIS # _____

Item # _____ Quantity _____ C.S.I. Section 114000

MODELS

- VC44GD** Solid state temperature controls adjust from 150° to 500°F. 60 minute timer with audible alarm.
- VC44GC** Computer controls with digital time and temperature readouts. 99-hour timer with audible alarm. Roast and Hold cycle. One hundred programmable menu selections. Shelf I.D. programming.

Double deck ovens are supplied as separate units with a stacking kit.

STANDARD FEATURES

- Stainless steel front, sides, top and legs
- Independently operated stainless steel doors with double pane windows
- 50,000 BTU/hr. burner per section, 100,000 BTU/hr. total
- Electronic spark igniters
- ½ H.P. two speed oven blower-motor. 120/60/1 with 6' cord and plug; 7.7 amps per section; 15.4 amps total draw
- Oven cool switch for rapid cool down
- Porcelain enamel on steel oven interior
- Five nickel plated grab-and-go oven racks with eleven rack positions per section (10 total racks)
- ¾" rear gas connection with combination gas pressure regulator and safety solenoid system
- One year limited parts and labor warranty

OPTIONS

- Kosher friendly control package
- Complete prison package
 - Security screws only
- 208V or 240V, 60 Hz, 1 ph, two speed, ½ H.P. blower motor; 208V, 4.2 amps; 240V, 3.6 amps
- Casters
- Simultaneous chain driven doors
- Control panel mounted on left side of oven
- Stainless steel rear enclosure
- Second year extended limited parts and labor warranty

ACCESSORIES (PACKAGED AND SOLD SEPARATELY)

- Extra oven rack(s)
- Rack hanger(s)
- Stainless steel drip pan
- Flexible gas hose with quick disconnect and restraining device; consult price book for available sizes
- Down draft flue diverter for direct vent connection

VC44G SERIES – Double Deck Gas Convection Ovens

Approved by _____ Date _____ Approved by _____ Date _____



VC44G SERIES

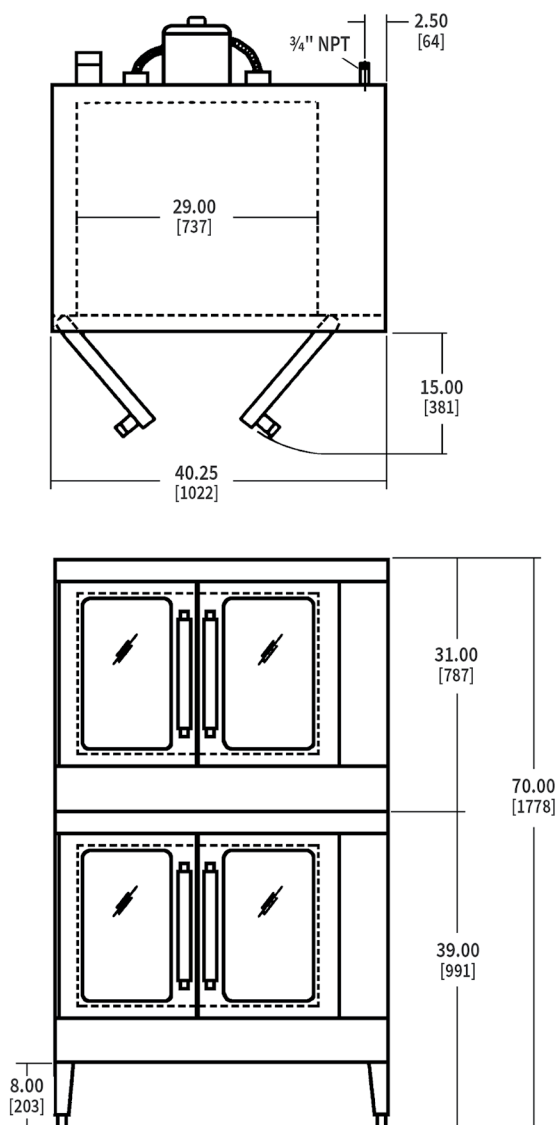
Double Deck Gas Convection Ovens

INSTALLATION INSTRUCTIONS

1. A combination gas pressure regulator and safety solenoid valve system is included in this unit. Natural gas is 5.0" W.C., Propane gas is 10.0" W.C.
2. An adequate ventilation system is required for commercial cooking equipment. Information may be obtained by visiting the National Fire Protection Association website at <https://www.nfpa.org/>. Refer to NFPA No. 96.
3. These units are manufactured for installation in accordance with ANSZ223.1A (latest edition), National Fuel Gas Code. Information may be obtained from The American Gas Association website at <https://www.aga.org/>.

4. Clearances:

	Combustible	Non-combustible
Rear	0"	0"
Right Side	2"	0"
Left Side	1"	0"
5. This appliance is manufactured for commercial installation only and is not intended for home use.
6. The installation location should not experience temperatures below -20°C (-4°F).

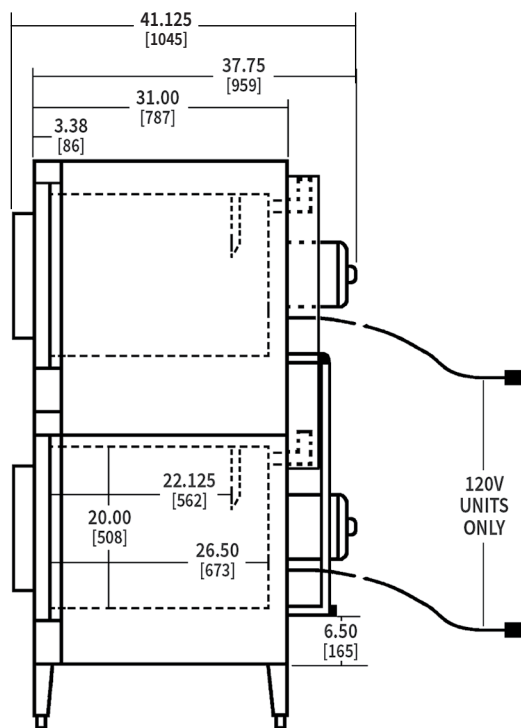


CAD and/or Revit Files Available

INSTALLATION MANUAL

40¼" W x 41⅛" D (includes motor & door handles)
 40¼" W x 37¾" D (includes motor only)
 70" H on 8" legs

Oven interior: 29" W x 22⅞" D x 20" H



Model	Width	Depth w/handles	Height	Per Oven BTU/hr.	Total BTU/hr.	Electrical	Weight
VC44G	40¼"	41⅛"	70"	50,000	100,000	120/60/1	820 lbs (372 KG) without skids/packaging 928 lbs (422 KG) with skids/packaging

As continued product improvement is a policy of Vulcan, specifications are subject to change without notice.

COMMERCIAL GAS CONNECTOR KIT

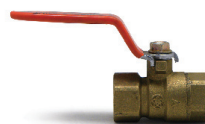
Easyflex's Gas Connector Kit features a PVC-coated, non-flammable gas hose with a stainless steel braid. It also has 360° rotational ends allowing for flexible installation and maximum protection to the hose. Included in the kit are a quick disconnect, restraining cable, full port valve, and 2 elbows. Customized kits are also available upon request.



Quick Disconnect



Restraining Cable



Full Port Valve



Elbow

Contents of Kits

Kit #	BJ Series Hose	Quick Disconnect	Swivel	Elbow	Full Port Valve	Restraining Cable
Kit 1	1	1	0	2	1	1

"BJ" Series Hose Sizes and Kit Model Numbers

BJ Hose Size	36" L	48" L
1/2" ID, 5/8" OD	GH50KIT36 (EFGC-012-FS-K1-36)	GH50KIT48 (EFGC-012-FS-K1-48)
3/4" ID, 1" OD	GH75KIT36 (EFGC-034-FS-K1-36)	GH75KIT48 (EFGC-034-FS-K1-48)
1" ID, 1-1/4" OD	GH100KIT36 (EFGC-100-FS-K1-36)	GH100KIT48 (EFGC-100-FS-K1-48)

"BJ" Series Hose Specifications

ID	BJ Hose Part #	Fittings	Lengths
1/2"	EFGC-012-BJ-1010	1/2" MIP x 1/2" MIP	24", 36", 48", 60", 72"
3/4"	EFGC-034-BJ-1414	3/4" MIP x 3/4" MIP	
1"	EFGC-010-BJ-1616	1" MIP x 1" MIP	

Tube & Braid Material	Stainless Steel 304 (ASTM A240)
Coating Material	Non-Flammable, Yellow PVC
Fittings Material	Zinc-Plated Steel S45C
Quick Disconnect Material	Brass
Max. Operating Pressure	1/2 psi

"BJ" Series Hose Minimum Flow Capacity

Straight Length Capacity (BTU/Hr., 0.64 Sp Gr., 1,000 BTU per cubic ft. at 0.5 inch W.C. pressure drop)

Series	ID (OD)	12"	18"	24"	30"	36"	48"	60"	72"
012	1/2" (5/8")	180,000	164,200	150,000	136,000	125,000	106,000	93,200	86,000
034	3/4" (1")	-	-	290,900	270,500	255,900	215,900	197,400	173,900
010	1" (1-1/4")	-	-	581,800	545,200	515,900	442,700	398,900	347,300

The above flow capacities are the minimum performance requirement EASYFLEX gas connectors exceed these minimum flow capacities requirements.

Design Certifications & Approvals

- Connectors for Movable (Commercial) Gas Appliances - ANSI Z21.69/CSA 6.16
- Quick Disconnect for Gas Appliances - ANSI Z21.41/CSA 6.9
- Manual Gas Valves for Appliances - ANSI Z21.15/CSA 9.1
- Swivel - UL 567_Pipe connection fittings for flammable and combustible liquids including LP gas. ANSI Z223.1/NFPA 54 National Gas Fuel Code. Cannot be used in temperatures below 32°F. For indoor use only.
- All movable (commercial) gas equipment must be secured with a restraining cable.



Job Name:
Job Location:
Submittal Date:
Engineer/Architect:
Wholesaler:
Contractor:

Easyflex Gas Connector Kit Distributed by:



3009 Bankers Industrial Drive
Atlanta, GA 30360
770 246 6006
www.klingerstrading.com

Item # _____
 Qty # _____
 Model # _____
 Project # _____

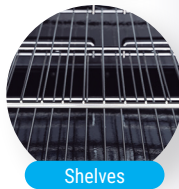


DUKERS
 Quality Commercial Refrigeration



CONVECTION OVEN

(Double Layer)DCCOG2



PRODUCT DESCRIPTION

- ✦ Elegant stainless steel exterior for easy cleaning.
- 📺 Durable double-pane glass with independent doors.
- 🔥 Electronic spark ignition with an automatic pilot system with safety shut off.
- 🌡️ Oven temperature range between 175°F to 500°F
- 🕒 Two speed-fan with adjustable cool down mode.
- 📏 Includes Ten adjustable shelves.
- 📦 Double-stacking options to optimize your kitchen space



HIGH QUALITY STAINLESS STEEL & ROBUST DESIGN

GAS RANGE MODEL	DIMENSION		
	Width	Depth	Height
DCCOG2	38 in	39 3/4 in	68 1/2 in

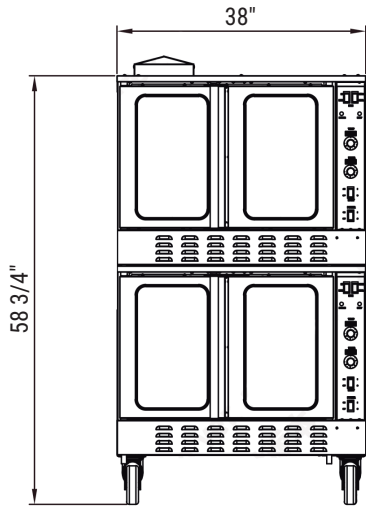


Los Angeles | San Francisco | Dallas
 Houston | Florida | Chicago | New Jersey

DETAILS & SPECIFICATIONS

DCCOG2

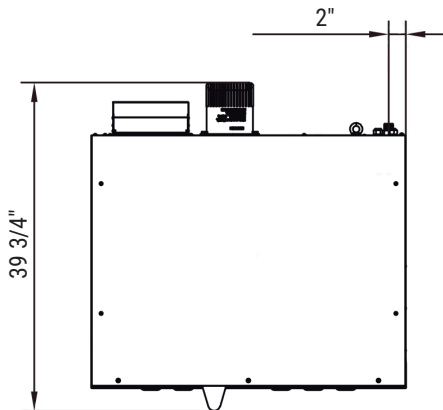
Front View



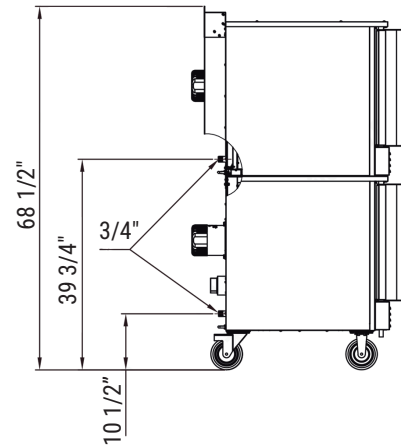
DCCOG2

GAS SOURCE	LGP/NG
POWER (W)	887 x 2
BURNER	3 x 2 count
SINGLE BURNER	18000 BTU/H
TOTAL OUTPUT	54000 x 2 BTU/H
GAS PRESSURE	NG: 4 "WC LGP: 10 "WC
NOZZLE CONTAINER	55/45
FITMENT	18
VOLTAGE	110 V
NE-MA(Plug Type)	5-15P
CURRENT	8 A x 2

Top View



Side View



Model	Packaging Dimensions (inches)			Net Weight (lbs)	Ship Weight (lbs)
	W	D	H		
DCCOG2	41 7/10"	45 3/5"	75 1/2"	1000	1100



Los Angeles | San Francisco | Dallas
Houston | Florida | Chicago | New Jersey

Harleton ISD

Restaurant Source & Supply

1-800-931-8628

@ info@dukersusa.com

www.DukersUSA.com

Page: 11

COMMERCIAL GAS CONNECTOR KIT

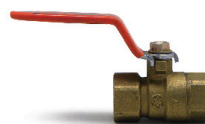
Easyflex's Gas Connector Kit features a PVC-coated, non-flammable gas hose with a stainless steel braid. It also has 360° rotational ends allowing for flexible installation and maximum protection to the hose. Included in the kit are a quick disconnect, restraining cable, full port valve, and 2 elbows. Customized kits are also available upon request.



Quick Disconnect



Restraining Cable



Full Port Valve



Elbow

Contents of Kits

Kit #	BJ Series Hose	Quick Disconnect	Swivel	Elbow	Full Port Valve	Restraining Cable
Kit 1	1	1	0	2	1	1

"BJ" Series Hose Sizes and Kit Model Numbers

BJ Hose Size	36" L	48" L
1/2" ID, 5/8" OD	GH50KIT36 (EFGC-012-FS-K1-36)	GH50KIT48 (EFGC-012-FS-K1-48)
3/4" ID, 1" OD	GH75KIT36 (EFGC-034-FS-K1-36)	GH75KIT48 (EFGC-034-FS-K1-48)
1" ID, 1-1/4" OD	GH100KIT36 (EFGC-100-FS-K1-36)	GH100KIT48 (EFGC-100-FS-K1-48)

"BJ" Series Hose Specifications

ID	BJ Hose Part #	Fittings	Lengths
1/2"	EFGC-012-BJ-1010	1/2" MIP x 1/2" MIP	24", 36", 48", 60", 72"
3/4"	EFGC-034-BJ-1414	3/4" MIP x 3/4" MIP	
1"	EFGC-010-BJ-1616	1" MIP x 1" MIP	

Tube & Braid Material	Stainless Steel 304 (ASTM A240)
Coating Material	Non-Flammable, Yellow PVC
Fittings Material	Zinc-Plated Steel S45C
Quick Disconnect Material	Brass
Max. Operating Pressure	1/2 psi

"BJ" Series Hose Minimum Flow Capacity

Straight Length Capacity (BTU/Hr., 0.64 Sp Gr., 1,000 BTU per cubic ft. at 0.5 inch W.C. pressure drop)

Series	ID (OD)	12"	18"	24"	30"	36"	48"	60"	72"
012	1/2" (5/8")	180,000	164,200	150,000	136,000	125,000	106,000	93,200	86,000
034	3/4" (1")	-	-	290,900	270,500	255,900	215,900	197,400	173,900
010	1" (1-1/4")	-	-	581,800	545,200	515,900	442,700	398,900	347,300

The above flow capacities are the minimum performance requirement EASYFLEX gas connectors exceed these minimum flow capacities requirements.

Design Certifications & Approvals

- Connectors for Movable (Commercial) Gas Appliances - ANSI Z21.69/CSA 6.16
- Quick Disconnect for Gas Appliances - ANSI Z21.41/CSA 6.9
- Manual Gas Valves for Appliances - ANSI Z21.15/CSA 9.1
- Swivel - UL 567_Pipe connection fittings for flammable and combustible liquids including LP gas. ANSI Z223.1/NFPA 54 National Gas Fuel Code. Cannot be used in temperatures below 32°F. For indoor use only.
- All movable (commercial) gas equipment must be secured with a restraining cable.



Job Name:
Job Location:
Submittal Date:
Engineer/Architect:
Wholesaler:
Contractor:

Easyflex Gas Connector Kit Distributed by:

3009 Bankers Industrial Drive
Atlanta, GA 30360
770 246 6006
www.klingerstrading.com