

**EXHIBIT "A"**  
**COSERV EASEMENT**

Being Part of  
Lot 1, Block A, Collin College Technical Campus  
James W. Parsons Survey, Abstract No. 705 and  
Thomas Phillips Survey, Abstract No. 727  
*City of Allen, Collin County, Texas*

DESCRIPTION, of a 24,838 square foot (0.570 acre) tract of land situated in the James W. Parsons Survey, Abstract No. 705 and the Thomas Phillips Survey, Abstract No. 727, City of Allen, Collin County, Texas; said tract being part of Lot 1, Block A, Collin College Technical Campus, an addition to the City of Allen, Texas, according to the plat recorded in Instrument No. 20181106010005100 of the Official Public Records of Collin County, Texas; said tract also being part of that certain tract of land described in Warranty Deed to Collin County Community College District recorded in Instrument No. 20170616000786140 of said Official Public Records; said 24,838 square foot (0.570 acre) tract being more particularly described as follows (Bearing system for this survey is based on the State Plane Coordinate System, North American Datum of 1983 (2011), Texas North Central Zone 4202. Distances reported have been scaled by applying the Collin County TxDOT surface adjustment factor of 1.000152710):

**COMMENCING**, at a 5/8-inch iron rod with "PACHECO KOCH" cap found for corner; said point being the northeast corner of that certain tract of land described in Special Warranty Deed to Brian Ridge Investments, LTD, recorded in Instrument No. 20150429000486420 of said Official Public Records and being in the south right-of-way line of State Highway 121 (variable width right-of-way);

**THENCE**, along the said southeast line of State Highway 121, the following two (2) calls:

North 66 degrees, 20 minutes, 02 seconds East, a distance of 90.11 feet to the **POINT OF BEGINNING**;

North 66 degrees, 20 minutes, 02 seconds East, a distance of 10.00 feet to a point for corner;

**THENCE**, departing the said southeast line of State Highway 121 and into and across said Lot 1 the following seventy-one (71) calls:

South 23 degrees, 41 minutes, 40 seconds East, a distance of 57.88 feet to a point for corner; said point being the beginning of a tangent curve to the right;

In a southeasterly direction along said curve to the right, having a central angle of 20 degrees, 18 minutes, 10 seconds , a radius of 650.00 feet, a chord bearing and distance of South 13 degrees, 32 minutes, 35 seconds East, 229.13 feet, an arc distance of 230.33 feet to a point at the end of said curve;

South 03 degrees, 23 minutes, 30 seconds East, a distance of 104.66 feet to a point for corner; said point being the beginning of a non-tangent curve to the left;

In a southeasterly direction along said curve to the left, having a central angle of 00 degrees, 32 minutes, 29 seconds , a radius of 550.00 feet, a chord bearing and distance of South 03 degrees, 39 minutes, 44 seconds East, 5.20 feet, an arc distance of 5.20 feet to a point at the end of said curve; Said point being the beginning of a non-tangent curve to the left;

## EXHIBIT "A"

### COSERV EASEMENT

(continued)

In a southeasterly direction along said curve to the left, having a central angle of 32 degrees, 33 minutes, 42 seconds , a radius of 20.00 feet, a chord bearing and distance of South 81 degrees, 23 minutes, 35 seconds East, 11.21 feet, an arc distance of 11.37 feet to a point at the end of said curve;

North 82 degrees, 19 minutes, 35 seconds East, a distance of 88.25 feet to a point for corner; said point being the beginning of a tangent curve to the left;

In a northeasterly direction along said curve to the left, having a central angle of 19 degrees, 16 minutes, 36 seconds , a radius of 90.00 feet, a chord bearing and distance of North 72 degrees, 41 minutes, 17 seconds East, 30.14 feet, an arc distance of 30.28 feet to a point at the end of said curve;

North 63 degrees, 02 minutes, 59 seconds East, a distance of 128.72 feet to a point for corner;

South 26 degrees, 57 minutes, 01 seconds East, a distance of 36.00 feet to a point for corner;

North 63 degrees, 02 minutes, 59 seconds East, a distance of 3.78 feet to a point for corner; said point being the beginning of a tangent curve to the right;

In a northeasterly direction along said a curve to the right, having a central angle of 16 degrees, 31 minutes, 45 seconds , a radius of 74.00 feet, a chord bearing and distance of North 71 degrees, 18 minutes, 51 seconds East, 21.27 feet, an arc distance of 21.35 feet to a point at the end of said curve; said point being the beginning of a reverse curve to the left;

In a northeasterly direction along said curve to the left, having a central angle of 21 degrees, 31 minutes, 46 seconds , a radius of 126.00 feet, a chord bearing and distance of North 68 degrees, 48 minutes, 50 seconds East, 47.07 feet, an arc distance of 47.35 feet to a point at the end of said curve; said point being the beginning of a compound curve to the left;

In a northeasterly direction along said curve to the left, having a central angle of 03 degrees, 36 minutes, 15 seconds , a radius of 3,024.00 feet, a chord bearing and distance of North 56 degrees, 14 minutes, 50 seconds East, 190.20 feet, an arc distance of 190.23 feet to a point at the end of said curve; said point being the beginning of a compound curve to the left;

In a northeasterly direction along said curve to the left, having a central angle of 01 degrees, 24 minutes, 43 seconds , a radius of 3,024.00 feet, a chord bearing and distance

## EXHIBIT "A"

### COSERV EASEMENT

(continued)

of North 53 degrees, 44 minutes, 21 seconds East, 74.51 feet, an arc distance of 74.51 feet to a point at the end of said curve;

South 82 degrees, 26 minutes, 56 seconds East, a distance of 14.23 feet to a point for corner; said point being the beginning of a tangent curve to the left;

In a northeasterly direction along said curve to the left, having a central angle of 44 degrees, 57 minutes, 12 seconds, a radius of 10.00 feet, a chord bearing and distance of North 75 degrees, 04 minutes, 27 seconds East, 7.65 feet, an arc distance of 7.85 feet to a point at the end of said curve;

North 52 degrees, 35 minutes, 51 seconds East, a distance of 11.72 feet to a point for corner; said point being the beginning of a tangent curve to the left;

In a northeasterly direction along said curve to the left, having a central angle of 45 degrees, 02 minutes, 48 seconds, a radius of 10.00 feet, a chord bearing and distance of North 30 degrees, 04 minutes, 27 seconds East, 7.66 feet, an arc distance of 7.86 feet to a point at the end of said curve;

North 07 degrees, 33 minutes, 04 seconds East, a distance of 14.19 feet to a point for corner; said point being the beginning of a non-tangent curve to the left;

In a northeasterly direction along said curve to the left, having a central angle of 01 degrees, 33 minutes, 28 seconds, a radius of 3,024.00 feet, a chord bearing and distance of North 51 degrees, 23 minutes, 01 seconds East, 82.22 feet, an arc distance of 82.22 feet to a point at the end of said curve; said point being the beginning of a non-tangent curve to the right;

In a southeasterly direction along said curve to the right, having a central angle of 32 degrees, 00 minutes, 14 seconds, a radius of 66.00 feet, a chord bearing and distance of South 49 degrees, 52 minutes, 24 seconds East, 36.39 feet, an arc distance of 36.87 feet to a point at the end of said curve;

South 33 degrees, 52 minutes, 17 seconds East, a distance of 559.06 feet to a point for corner;

North 56 degrees, 07 minutes, 43 seconds East, a distance of 81.09 feet to a point for corner;

South 33 degrees, 52 minutes, 17 seconds East, a distance of 108.42 feet to a point for corner; said point being the beginning of a tangent curve to the right;

In a southeasterly direction along said curve to the right, having a central angle of 34 degrees, 24 minutes, 58 seconds, a radius of 371.50 feet, a chord bearing and distance of South 16 degrees, 39 minutes, 48 seconds East, 219.81 feet, an arc distance of 223.15 feet to a point at the end of said curve; said point being the beginning of a reverse curve to the left;

## EXHIBIT "A"

### COSERV EASEMENT

(continued)

In a southeasterly direction along said curve to the left, having a central angle of 03 degrees, 15 minutes, 34 seconds , a radius of 828.50 feet, a chord bearing and distance of South 01 degrees, 05 minutes, 06 seconds East, 47.12 feet, an arc distance of 47.13 feet to a point at the end of said curve;

South 14 degrees, 23 minutes, 16 seconds West, a distance of 56.54 feet to a point for corner;

South 82 degrees, 42 minutes, 33 seconds West, a distance of 10.76 feet to a point for corner;

North 14 degrees, 23 minutes, 16 seconds East, a distance of 59.02 feet to a point for corner; said point being the beginning of a non-tangent curve to the right;

In a northwesterly direction along said curve to the right, having a central angle of 03 degrees, 09 minutes, 23 seconds , a radius of 838.50 feet, a chord bearing and distance of North 01 degrees, 02 minutes, 00 seconds West, 46.19 feet, an arc distance of 46.19 feet to a point at the end of said curve; said point being the beginning of a reverse curve to the left;

In a northwesterly direction along said curve to the left , having a central angle of 34 degrees, 24 minutes, 58 seconds , a radius of 361.50 feet, a chord bearing and distance of North 16 degrees, 39 minutes, 48 seconds West, 213.89 feet, an arc distance of 217.14 feet to a point at the end of said curve;

North 33 degrees, 52 minutes, 17 seconds West, a distance of 98.42 feet to a point for corner;

South 56 degrees, 07 minutes, 43 seconds West, a distance of 81.09 feet to a point for corner;

North 33 degrees, 52 minutes, 17 seconds West, a distance of 88.95 feet to a point for corner;

South 56 degrees, 07 minutes, 43 seconds West, a distance of 52.66 feet to a point for corner;

South 33 degrees, 52 minutes, 17 seconds East, a distance of 21.92 feet to a point for corner;

South 56 degrees, 07 minutes, 43 seconds West, a distance of 10.00 feet to a point for corner;

North 33 degrees, 52 minutes, 17 seconds West, a distance of 31.92 feet to a point for corner;

North 56 degrees, 07 minutes, 43 seconds East, a distance of 62.66 feet to a point for corner;

## EXHIBIT "A"

### COSERV EASEMENT

(continued)

North 33 degrees, 52 minutes, 17 seconds West, a distance of 130.47 feet to a point for corner;

South 56 degrees, 07 minutes, 43 seconds West, a distance of 60.50 feet to a point for corner;

North 33 degrees, 52 minutes, 17 seconds West, a distance of 10.00 feet to a point for corner;

North 56 degrees, 07 minutes, 43 seconds East, a distance of 60.50 feet to a point for corner;

North 33 degrees, 52 minutes, 17 seconds West, a distance of 4.20 feet to a point for corner;

South 56 degrees, 07 minutes, 43 seconds West, a distance of 60.50 feet to a point for corner;

North 33 degrees, 52 minutes, 17 seconds West, a distance of 10.00 feet to a point for corner;

North 56 degrees, 07 minutes, 43 seconds East, a distance of 60.50 feet to a point for corner;

North 33 degrees, 52 minutes, 17 seconds West, a distance of 315.44 feet to a point for corner; said point being the beginning of a tangent curve to the left;

In a northwesterly direction along said curve to the left, having a central angle of 25 degrees, 49 minutes, 54 seconds , a radius of 56.00 feet, a chord bearing and distance of North 46 degrees, 47 minutes, 14 seconds West, 25.03 feet, an arc distance of 25.25 feet to a point at the end of said curve; said point being the beginning of a non-tangent curve to the right;

In a northwesterly direction along said curve to the right, having a central angle of 01 degrees, 21 minutes, 23 seconds , a radius of 3,034.00 feet, a chord bearing and distance of South 51 degrees, 24 minutes, 24 seconds West, 71.83 feet, an arc distance of 71.83 feet to a point at the end of said curve;

South 07 degrees, 33 minutes, 04 seconds West, a distance of 10.09 feet to a point for corner; said point being the beginning of a curve to the right;

In a southwesterly direction along said curve to the right, having a central angle of 45 degrees, 02 minutes, 48 seconds , a radius of 20.00 feet, a chord bearing and distance of South 30 degrees, 04 minutes, 27 seconds West, 15.32 feet, an arc distance of 15.72 feet to a point at the end of said curve;

South 52 degrees, 35 minutes, 51 seconds West, a distance of 11.72 feet to a point for corner; said point being the beginning of a tangent curve to the right;

## EXHIBIT "A"

### COSERV EASEMENT

(continued)

In a southwesterly direction along said curve to the right, having a central angle of 44 degrees, 57 minutes, 12 seconds, a radius of 20.00 feet, a chord bearing and distance of South 75 degrees, 04 minutes, 27 seconds West, 15.29 feet, an arc distance of 15.69 feet to a point at the end of said curve;

North 82 degrees, 26 minutes, 56 seconds West, a distance of 10.14 feet to a point for corner; said point being the beginning of a non-tangent curve to the right;

In a southwesterly direction along said curve to the right, having a central angle of 01 degrees, 20 minutes, 04 seconds, a radius of 3,034.00 feet, a chord bearing and distance of South 53 degrees, 46 minutes, 40 seconds West, 70.66 feet, an arc distance of 70.67 feet to a point at the end of said curve; said point being the beginning of a compound curve to the right;

In a southwesterly direction along said curve to the right, having a central angle of 03 degrees, 36 minutes, 15 seconds, a radius of 3,034.00 feet, a chord bearing and distance of South 56 degrees, 14 minutes, 50 seconds West, 190.83 feet, an arc distance of 190.86 feet to a point at the end of said curve; said point being the beginning of a compound curve to the right;

In a southwesterly direction along said curve to the right, having a central angle of 21 degrees, 31 minutes, 46 seconds, a radius of 136.00 feet, a chord bearing and distance of South 68 degrees, 48 minutes, 50 seconds West, 50.80 feet, an arc distance of 51.10 feet to a point at the end of said curve; said point being the beginning of a reverse curve to the left;

In a southwesterly direction along said curve to the left, having a central angle of 16 degrees, 31 minutes, 45 seconds, a radius of 64.00 feet, a chord bearing and distance of South 71 degrees, 18 minutes, 51 seconds West, 18.40 feet, an arc distance of 18.46 feet to a point at the end of said curve;

South 63 degrees, 02 minutes, 59 seconds West, a distance of 13.78 feet to a point for corner;

North 26 degrees, 57 minutes, 01 seconds West, a distance of 36.00 feet to a point for corner;

South 63 degrees, 02 minutes, 59 seconds West, a distance of 118.72 feet to a point for corner; said point being the beginning of a curve to the right;

In a southwesterly direction along said curve to the right, having a central angle of 19 degrees, 16 minutes, 36 seconds, a radius of 100.00 feet, a chord bearing and distance of South 72 degrees, 41 minutes, 17 seconds West, 33.49 feet, an arc distance of 33.64 feet to a point at the end of said curve;

South 82 degrees, 19 minutes, 35 seconds West, a distance of 88.25 feet to a point for corner; said point being the beginning of a tangent curve to the right;

**EXHIBIT "A"**

**COSERV EASEMENT**

(continued)

In a northwesterly direction along said curve to the right, having a central angle of 44 degrees, 34 minutes, 42 seconds , a radius of 30.00 feet, a chord bearing and distance of North 75 degrees, 23 minutes, 04 seconds West, 22.76 feet, an arc distance of 23.34 feet to a point at the end of said curve; said point being the beginning of a non-tangent curve to the right;

In a northwesterly direction along said curve to the right, having a central angle of 01 degrees, 04 minutes, 15 seconds , a radius of 560.00 feet, a chord bearing and distance of North 03 degrees, 55 minutes, 37 seconds West, 10.47 feet, an arc distance of 10.47 feet to a point at the end of said curve;

North 03 degrees, 23 minutes, 30 seconds West, a distance of 104.66 feet to a point for corner; said point being the beginning of a tangent curve to the left;

In a northwesterly direction along said curve to the left, having a central angle of 20 degrees, 18 minutes, 10 seconds , a radius of 640.00 feet, a chord bearing and distance of North 13 degrees, 32 minutes, 35 seconds West, 225.60 feet, an arc distance of 226.79 feet to a point at the end of said curve;

North 23 degrees, 41 minutes, 40 seconds West, a distance of 57.88 feet to the POINT OF **BEGINNING**;

**CONTAINING:** 24,838 square feet or 0.570 acres of land, more or less.

*(A survey plat of even survey date herewith accompanies this description.)*

The undersigned, Registered Professional Land Surveyor, hereby certifies that the foregoing description accurately sets out the metes and bounds of the easement tract described.

6/11/19

Kyle Coleman Harris Date  
Registered Professional Land Surveyor No. 6266  
Pacheco Koch Consulting Engineers, Inc.  
7557 Rambler Road, #1400, Dallas TX 75231  
(972) 235-3031  
TX Reg. Surveying Firm LS-100080-00

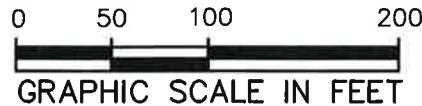


2339-17.374EX4.doc  
2339-17.374EX4.dwg

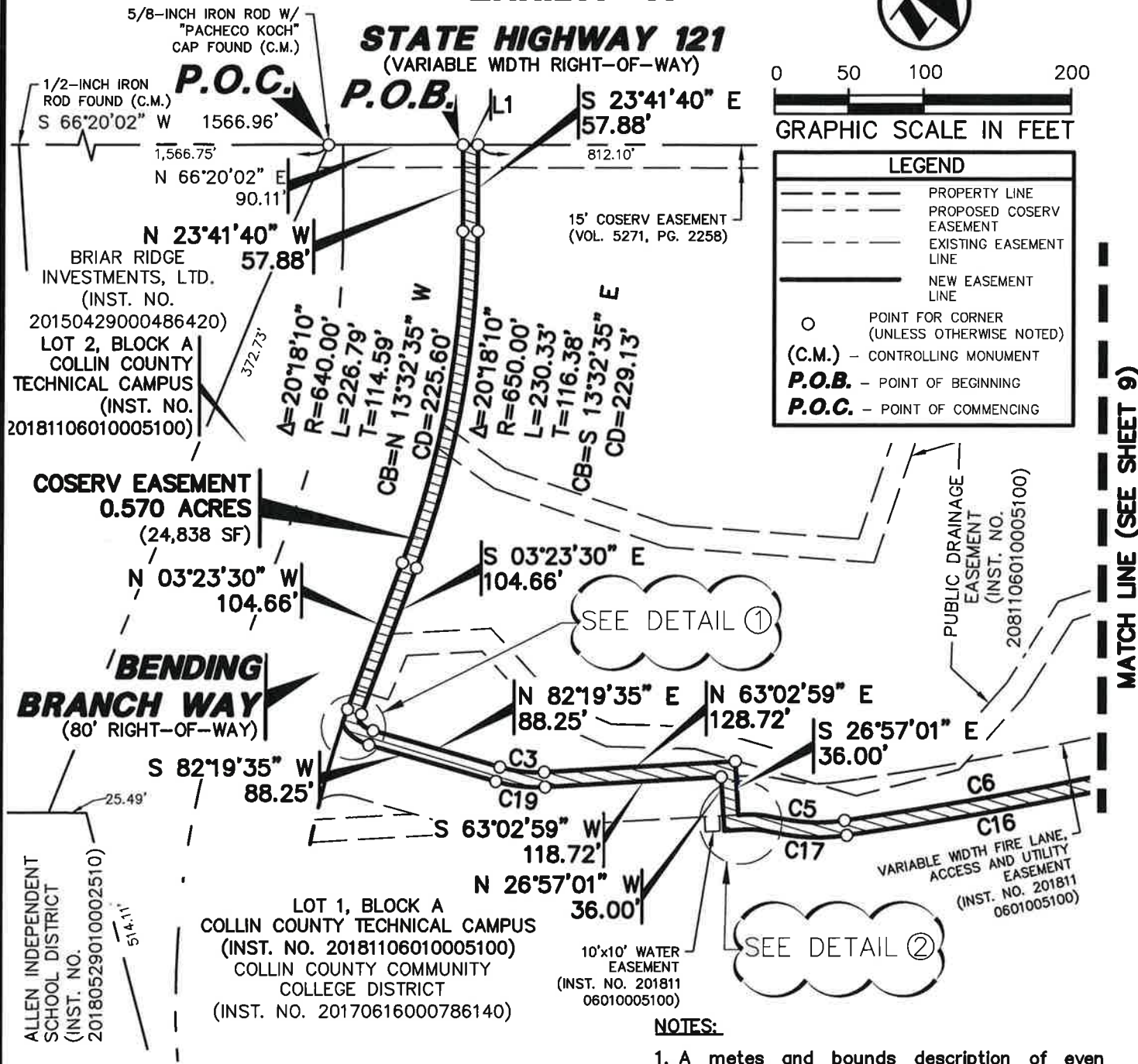


EXHIBIT 'A'

STATE HIGHWAY 121  
(VARIABLE WIDTH RIGHT-OF-WAY)



LEGEND	
---	PROPERTY LINE
- - - -	PROPOSED COSERV EASEMENT
- · - · -	EXISTING EASEMENT LINE
—	NEW EASEMENT LINE
○	POINT FOR CORNER (UNLESS OTHERWISE NOTED)
(C.M.)	- CONTROLLING MONUMENT
P.O.B.	- POINT OF BEGINNING
P.O.C.	- POINT OF COMMENCING



SEE DETAIL ①

SEE DETAIL ②

- NOTES:**
1. A metes and bounds description of even survey date herewith accompanies this plat of survey.
  2. Bearing system for this survey is based on the State Plane Coordinate System, North American Datum of 1983 (2011), Texas North Central Zone 4202. Distances reported have been scaled by applying the Collin County TxDOT surface adjustment factor of 1.000152710

The undersigned, Registered Professional Land Surveyor, hereby certifies that this plat of survey accurately sets out the metes and bounds of the easement tract described.

*Kyle Coleman Harris* 6/11/19  
Date



Kyle Coleman Harris  
Registered Professional  
Land Surveyor No. 6266

**Pacheco Koch** 7557 RAMBLER ROAD, SUITE 1400  
DALLAS, TX 75231 972.235.3031  
TX REG. ENGINEERING FIRM F-469  
TX REG. SURVEYING FIRM LS-10008000

DRAWN BY	CHECKED BY	SCALE	DATE	JOB NUMBER
JM	KCH	1"=100'	JUNE 2019	2339-17.374

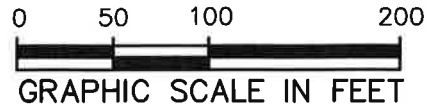
**COSERV EASEMENT**  
BEING PART OF LOT 1, BLOCK A,  
COLLIN COLLEGE TECHNOLOGICAL CAMPUS  
THOMAS PHILLIPS SURVEY, ABSTRACT NO.  
727, AND PART OF J.W. PARSON SURVEY,  
ABSTRACT NO. 705.  
CITY OF ALLEN, COLLIN COUNTY, TEXAS  
SHEET 8 OF 13

M:\DWG-23\2339-17.374\DWG\SURVEY C3D 2015\2339-17.374\_EX4-1.DWG MONSIVAIS 6/11/2019 12:01 PM

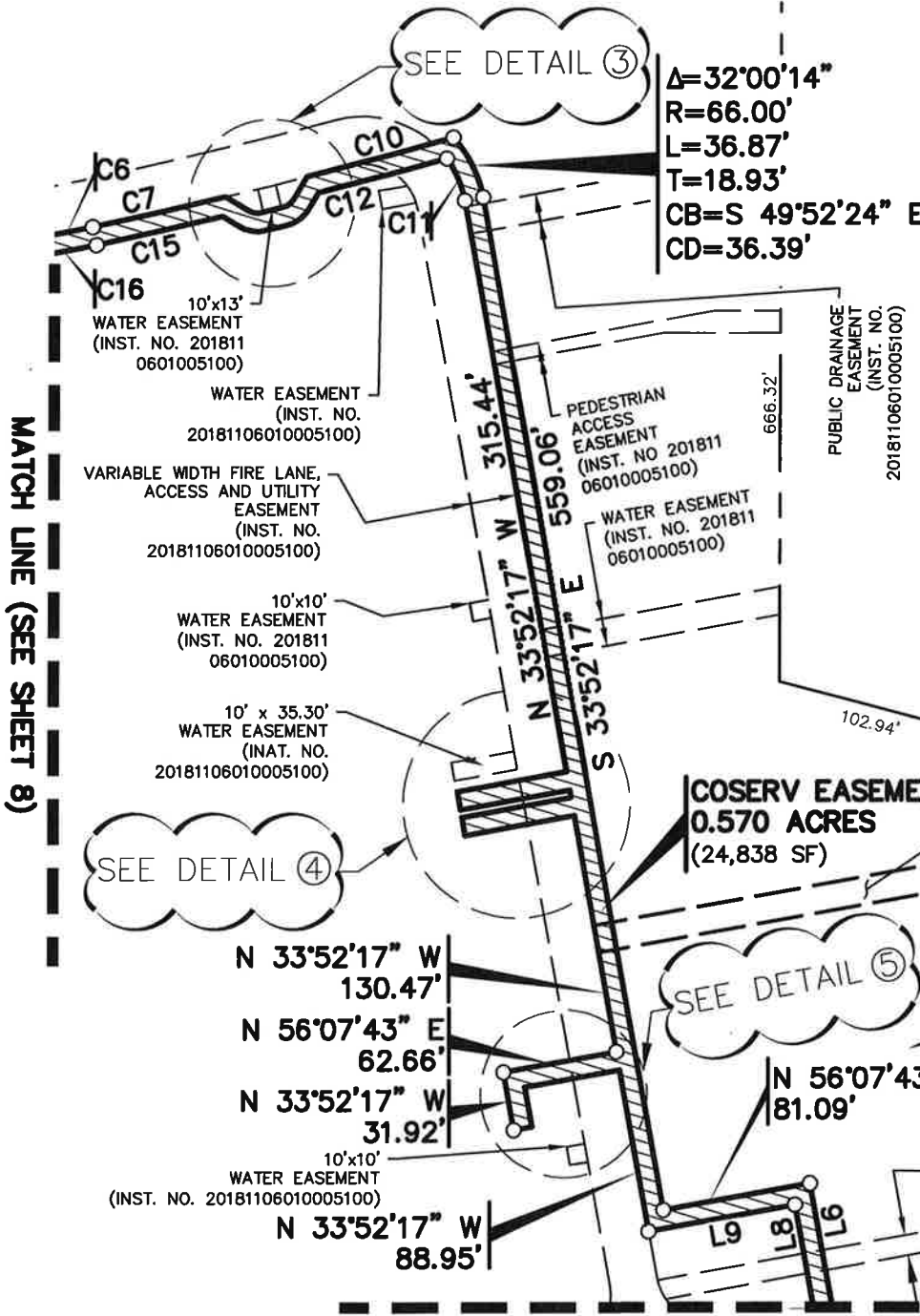
MATCH LINE (SEE SHEET 9)



# EXHIBIT 'A'



LEGEND	
	PROPERTY LINE
	PROPOSED COSERV EASEMENT
	EXISTING EASEMENT LINE
	NEW EASEMENT LINE
	POINT FOR CORNER (UNLESS OTHERWISE NOTED)
<b>(C.M.)</b>	CONTROLLING MONUMENT
<b>P.O.B.</b>	POINT OF BEGINNING
<b>P.O.C.</b>	POINT OF COMMENCING



ALMA HOLDINGD LLC &  
LAUGHING BUDDHA  
INVESTMENTS LLC &  
(INST. NO. 20170616000786140)

PUBLIC DRAINAGE  
EASEMENT  
(20181106010005100)  
**LOT 1, BLOCK A COLLIN  
COUNTY TECHNICAL  
CAMPUS  
(INST. NO.  
20181106010005100)**  
COLLIN COUNTY  
COMMUNITY COLLEGE  
DISTRICT  
(INST. NO.  
20170616000786140)

MATCH LINE (SEE SHEET 8)

MATCH LINE (SEE SHEET 10)

**NOTES:**

1. A metes and bounds description of even survey date herewith accompanies this plat of survey.
2. Bearing system for this survey is based on the State Plane Coordinate System, North American Datum of 1983 (2011), Texas North Central Zone 4202. Distances reported have been scaled by applying the Collin County TxDOT surface adjustment factor of 1.000152710

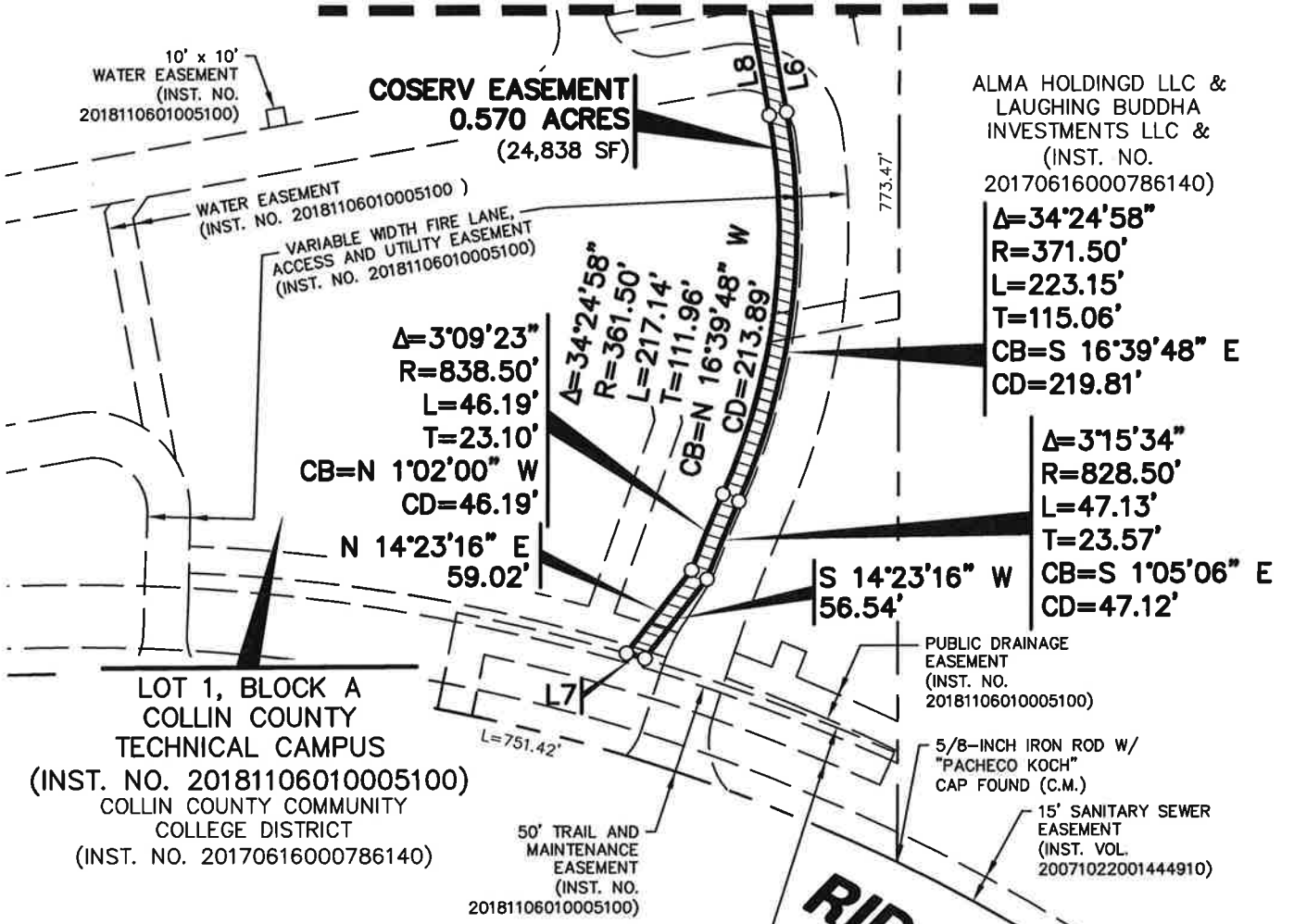
**COSERV EASEMENT**  
BEING PART OF LOT 1, BLOCK A,  
COLLIN COUNTY TECHNOLOGICAL CAMPUS  
THOMAS PHILLIPS SURVEY, ABSTRACT NO.  
727, AND PART OF J.W. PARSON SURVEY,  
ABSTRACT NO. 705.  
CITY OF ALLEN, COLLIN COUNTY, TEXAS  
SHEET 9 OF 13

**Pacheco Koch** 7557 RAMBLER ROAD, SUITE 1400  
DALLAS, TX 75231 972.235.3031  
TX REG. ENGINEERING FIRM F-469  
TX REG. SURVEYING FIRM LS-10008000

DRAWN BY	CHECKED BY	SCALE	DATE	JOB NUMBER
JM	KCH	1"=100'	JUNE 2019	2039-17.374

# EXHIBIT 'A'

MATCH LINE (SEE SHEET 9)



ALMA HOLDINGD LLC &  
LAUGHING BUDDHA  
INVESTMENTS LLC &  
(INST. NO.  
20170616000786140)

$\Delta=34^{\circ}24'58''$   
 $R=371.50'$   
 $L=223.15'$   
 $T=115.06'$   
 $CB=S 16^{\circ}39'48'' E$   
 $CD=219.81'$

$\Delta=3^{\circ}09'23''$   
 $R=838.50'$   
 $L=46.19'$   
 $T=23.10'$   
 $CB=N 1^{\circ}02'00'' W$   
 $CD=46.19'$

$\Delta=3^{\circ}15'34''$   
 $R=828.50'$   
 $L=47.13'$   
 $T=23.57'$   
 $CB=S 1^{\circ}05'06'' E$   
 $CD=47.12'$

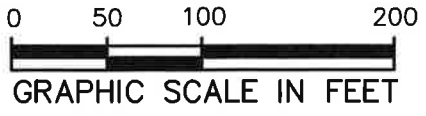
LOT 1, BLOCK A  
COLLIN COUNTY  
TECHNICAL CAMPUS  
(INST. NO. 20181106010005100)  
COLLIN COUNTY COMMUNITY  
COLLEGE DISTRICT  
(INST. NO. 20170616000786140)

LEGEND	
	PROPERTY LINE
	PROPOSED COSERV EASEMENT
	EXISTING EASEMENT LINE
	NEW EASEMENT LINE
	POINT FOR CORNER (UNLESS OTHERWISE NOTED)
	(C.M.) - CONTROLLING MONUMENT
	P.O.B. - POINT OF BEGINNING
	P.O.C. - POINT OF COMMENCING

**NOTES:**

1. A metes and bounds description of even survey date herewith accompanies this plat of survey.
2. Bearing system for this survey is based on the State Plane Coordinate System, North American Datum of 1983 (2011), Texas North Central Zone 4202. Distances reported have been scaled by applying the Collin County TxDOT surface adjustment factor of 1.000152710

**RIDGEVIEW DRIVE**  
(120' WIDTH RIGHT-OF-WAY)



**COSERV EASEMENT**  
BEING PART OF LOT 1, BLOCK A,  
COLLIN COLLEGE TECHNOLOGICAL CAMPUS  
THOMAS PHILLIPS SURVEY, ABSTRACT NO.  
727, AND PART OF J.W. PARSON SURVEY,  
ABSTRACT NO. 705.  
CITY OF ALLEN, COLLIN COUNTY, TEXAS  
SHEET 10 OF 13



7557 RAMBLER ROAD, SUITE 1400  
DALLAS, TX 75231 972.235.3031  
TX REG. ENGINEERING FIRM F-469  
TX REG. SURVEYING FIRM LS-10008000

DRAWN BY	CHECKED BY	SCALE	DATE	JOB NUMBER
JM	KCH	1"=100'	JUNE 2019	2339-17.374

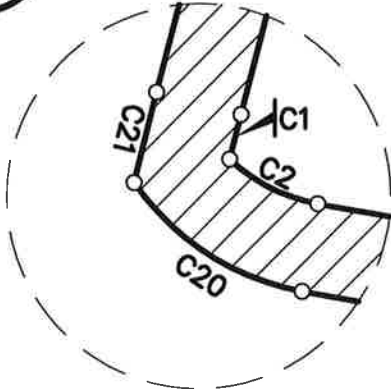
M:\DWG-23\2339-17.374\DWG\SURVEY CSD 2015\2339-17.374\_EX4-1.DWG 6/11/2019 12:03 PM MONSIVAIS

# EXHIBIT 'A'

**1**

## DETAIL

NOT TO SCALE



**3**

## DETAIL

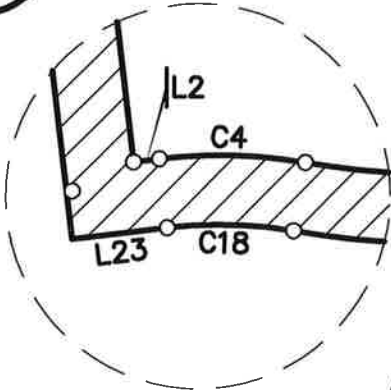
NOT TO SCALE



**2**

## DETAIL

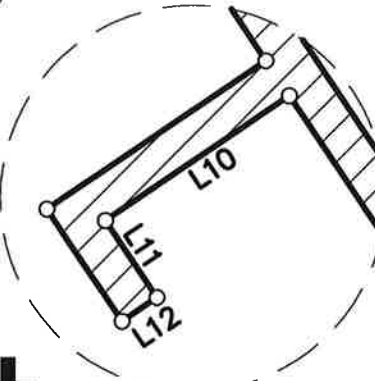
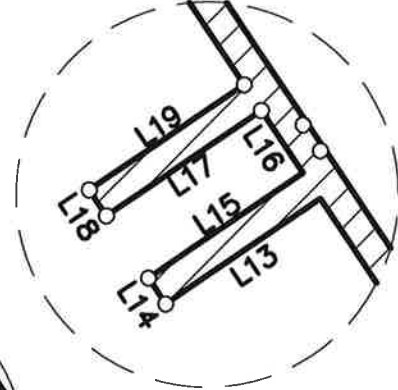
NOT TO SCALE



**4**

## DETAIL

NOT TO SCALE



**5**

## DETAIL

NOT TO SCALE

**NOTES:**

1. A metes and bounds description of even survey date herewith accompanies this plat of survey.
2. Bearing system for this survey is based on the State Plane Coordinate System, North American Datum of 1983 (2011), Texas North Central Zone 4202. Distances reported have been scaled by applying the Collin County TxDOT surface adjustment factor of 1.000152710

### COSERV EASEMENT

BEING PART OF LOT 1, BLOCK A,  
 COLLIN COLLEGE TECHNOLOGICAL CAMPUS  
 THOMAS PHILLIPS SURVEY, ABSTRACT NO.  
 727, AND PART OF J.W. PARSON SURVEY,  
 ABSTRACT NO. 705.  
 CITY OF ALLEN, COLLIN COUNTY, TEXAS  
 SHEET 11 OF 13



7557 RAMBLER ROAD, SUITE 1400  
 DALLAS, TX 75231 972.235.3031  
 TX REG. ENGINEERING FIRM F-469  
 TX REG. SURVEYING FIRM LS-10008000

DRAWN BY	CHECKED BY	SCALE	DATE	JOB NUMBER
JM	KCH	NONE	JUNE 2018	2339-17.374

# EXHIBIT 'A'

<b><i>LINE TABLE</i></b>		
<b><i>LINE</i></b>	<b><i>BEARING</i></b>	<b><i>LENGTH</i></b>
L1	N 66°20'02" E	10.00'
L2	N 63°02'59" E	3.78'
L3	S 82°26'56" E	14.23'
L4	N 52°35'51" E	11.72'
L5	N 07°33'04" E	14.19'
L7	S 82°42'33" W	10.76'
L9	S 56°07'43" W	81.09'
L10	S 56°07'43" W	52.66'
L11	S 33°52'17" E	21.92'
L12	S 56°07'43" W	10.00'
L13	S 56°07'43" W	60.50'
L14	N 33°52'17" W	10.00'

<b><i>LINE TABLE</i></b>		
<b><i>LINE</i></b>	<b><i>BEARING</i></b>	<b><i>LENGTH</i></b>
L15	N 56°07'43" E	60.50'
L16	N 33°52'17" W	4.20'
L17	S 56°07'43" W	60.50'
L18	N 33°52'17" W	10.00'
L19	N 56°07'43" E	60.50'
L20	S 07°33'04" W	10.09'
L21	S 52°35'51" W	11.72'
L22	N 82°26'56" W	10.14'
L23	S 63°02'59" W	13.78'

**NOTES:**

1. A metes and bounds description of even survey date herewith accompanies this plat of survey.
2. Bearing system for this survey is based on the State Plane Coordinate System, North American Datum of 1983 (2011), Texas North Central Zone 4202. Distances reported have been scaled by applying the Collin County TxDOT surface adjustment factor of 1.000152710



7557 RAMBLER ROAD, SUITE 1400  
 DALLAS, TX 75231 972.235.3031  
 TX REG. ENGINEERING FIRM F-469  
 TX REG. SURVEYING FIRM LS-10008000

DRAWN BY	CHECKED BY	SCALE	DATE	JOB NUMBER
JM	KCH	NONE	JUNE 2019	2339-17.374

## COSERV EASEMENT

BEING PART OF LOT 1, BLOCK A,  
 COLLIN COLLEGE TECHNOLOGICAL CAMPUS  
 THOMAS PHILLIPS SURVEY, ABSTRACT NO.  
 727, AND PART OF J.W. PARSON SURVEY,  
 ABSTRACT NO. 705.  
 CITY OF ALLEN, COLLIN COUNTY, TEXAS  
 SHEET 12 OF 13

# EXHIBIT 'A'

## CURVE TABLE

<i>CURVE</i>	<i>DELTA</i>	<i>RADIUS</i>	<i>LENGTH</i>	<i>TANGENT</i>	<i>CHORD BEARING</i>	<i>CHORD</i>
C1	000°32'29"	550.00'	5.20'	2.60'	S 03°39'44" E	5.20'
C2	032°33'42"	20.00'	11.37'	5.84'	S 81°23'35" E	11.21'
C3	019°16'36"	90.00'	30.28'	15.28'	N 72°41'17" E	30.14'
C4	016°31'45"	74.00'	21.35'	10.75'	N 71°18'51" E	21.27'
C5	021°31'46"	126.00'	47.35'	23.96'	N 68°48'50" E	47.07'
C6	003°36'15"	3,024.00'	190.23'	95.15'	N 56°14'50" E	190.20'
C7	001°24'43"	3,024.00'	74.51'	37.26'	N 53°44'21" E	74.51'
C8	044°57'12"	10.00'	7.85'	4.14'	N 75°04'27" E	7.65'
C9	045°02'48"	10.00'	7.86'	4.15'	N 30°04'27" E	7.66'
C10	001°33'28"	3,024.00'	82.22'	41.11'	N 51°23'01" E	82.22'
C11	025°49'54"	56.00'	25.25'	12.84'	N 46°47'14" W	25.03'
C12	001°21'23"	3,034.00'	71.83'	35.92'	S 51°24'24" W	71.83'
C13	045°02'48"	20.00'	15.72'	8.29'	S 30°04'27" W	15.32'
C14	044°57'12"	20.00'	15.69'	8.27'	S 75°04'27" W	15.29'
C15	001°20'04"	3,034.00'	70.67'	35.33'	S 53°46'40" W	70.66'
C16	003°36'15"	3,034.00'	190.86'	95.46'	S 56°14'50" W	190.83'
C17	021°31'46"	136.00'	51.10'	25.86'	S 68°48'50" W	50.80'
C18	016°31'45"	64.00'	18.46'	9.30'	S 71°18'51" W	18.40'
C19	019°16'36"	100.00'	33.64'	16.98'	S 72°41'17" W	33.49'
C20	044°34'42"	30.00'	23.34'	12.30'	N 75°23'04" W	22.76'
C21	001°04'15"	560.00'	10.47'	5.23'	N 03°55'37" W	10.47'

**NOTES:**

1. A metes and bounds description of even survey date herewith accompanies this plat of survey.
2. Bearing system for this survey is based on the State Plane Coordinate System, North American Datum of 1983 (2011), Texas North Central Zone 4202. Distances reported have been scaled by applying the Collin County TxDOT surface adjustment factor of 1.000152710



7557 RAMBLER ROAD, SUITE 1400  
 DALLAS, TX 75231 972.235.3031  
 TX REG. ENGINEERING FIRM F-469  
 TX REG. SURVEYING FIRM LS-10008000

<i>DRAWN BY</i>	<i>CHECKED BY</i>	<i>SCALE</i>	<i>DATE</i>	<i>JOB NUMBER</i>
JM	KCH	NONE	JUNE 2019	2339-17.374

### COSERV EASEMENT

BEING PART OF LOT 1, BLOCK A,  
 COLLIN COLLEGE TECHNOLOGICAL CAMPUS  
 THOMAS PHILLIPS SURVEY, ABSTRACT NO.  
 727, AND PART OF J.W. PARSON SURVEY,  
 ABSTRACT NO. 705.  
 CITY OF ALLEN, COLLIN COUNTY, TEXAS  
 SHEET 13 OF 13