

USD 457, Garden City Public Schools

Large Equipment Bid

Due: 12/19/2023 by 10:00 am

The District reserves the right to accept or reject all or any part of any quote, to waive technicalities, and to accept the offer that the District considers to be the most advantageous.

Requirement	Condenser
Manufacturer:	Russell
Model	Condenser: RF0250L4SDANT Evaporator: RL6E090DDARE
Price (unit Cost)	(1) Condenser and (1) Indoor Evaporator for \$8700.00
Price (total)	\$8700.00 for both Furnish Only
Estimated Delivery Date	1 Week

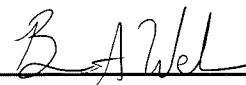
1 Year Compressor/Parts Warranty add 2nd through 5th years to Compressor for \$1200.00

Requirement	Walk in Freezer Box
Manufacturer:	AmeriKooler
Model	6' 7 5/8" x 8' 9" x 7' 7" Interior Freezer with Floor, Door, LED Light
Price (unit Cost)	\$17,000.00
Price (total)	\$17,000.00 Furnish Only
Estimated Delivery Date	3-4 Weeks

15 Year Panel Warranty and 1 Year Parts Warranty

Requirement	
Manufacturer:	
Model	
Price (unit Cost)	
Price (total)	
Estimated Delivery Date	

WE HEREBY AGREE TO FURNISH THE ITEMS ON WHICH PRICES ARE QUOTED ABOVE IN ACCORDANCE WITH ALL TERMS AND CONDITIONS PREVIOUSLY LISTED AND ANY ATTACHED SPECIFICATIONS.

BY:  **Brian Weber**
 TITLE: Business Manager
 PHONE: 620-275-2187

DATE: 12/12/2023
 FIRM: Weber Refrigeration
 EMAIL: BrianWeberGC@gmail.com

Walk-in: Indoor freezer**Actual Overall Dimension: 6'-7 5/8" x 8'-9" x 7'-7" (Rectangular)**

Description:	Indoor Freezer, with Floor
Interior Dim:	5'-11 5/8" x 8'-1" x 6'-11" (w x l x h)
Temperature:	-10°F (100°F ambient)
Insulation:	4" thick AK-XPS4 extruded foam with R-values of R-29 for coolers and R-32 for freezers with a 50 Year Thermal Warranty. UL Classified Core Flame Spread 15, Smoke Rating less than 165.
Warranty:	15 Year Panel Warranty and 1 Year Parts Warranty
Finishes:	Interior walls: 26 Ga. Stucco Embossed Acrylume Exterior walls: 26 Ga. Stucco Embossed Acrylume Interior ceiling: 26 Ga. Stucco Embossed Acrylume Exterior ceiling: 26 Ga. Stucco Embossed Acrylume
Floor	Type: Type F2-DT Application: Pan Rolling Racks , Dunnage Racks NSF Floor panel rated for 900 LBS/ SQ. FT. Diamond tread plate .090" Integral - Not Reinforced
Door:	(1) Standard 36" x 76" Right hinged flush door with brushed hardware. Interior & Exterior finish: 26 Ga. Stucco Embossed Acrylume. 36" kickplates to interior and exterior of door. Energy saving temperature regulating thermostat heater wire and heated relief vent. Heavy duty deadbolt handle latch. Digital LED Thermometer with pilot light switch. 1807 11w, Vapor Proof, 120V. LED fixture. 82 Lumens /watt Angled face . Requires 115vac. 2.2 amps. With third hinge, Internal Ramp 24" deep x 36" wide
Freight:	Freight included to GARDEN CITY KS 67846



USD 457 FREEZER



SYS-1 - Box Load Calculation

General Requirements

Room Temperature: **-10 °F** Ambient Temperature: **100 °F** Design Run-time: **18 Hrs** Required Capacity: **8,092 BTUH**

Area Load

Section	Material	Thickness	X - Factor	Surface Temp	Dim. 1	Dim. 2	Load
Wall 1	Polyurethane	4 in	0.1	85 °F	9 ft	7.5 ft	5,386.5 BTU
Wall 2	Polyurethane	4 in	0.1	85 °F	7 ft	7.5 ft	4,189.5 BTU
Wall 3	Polyurethane	4 in	0.1	85 °F	9 ft	7.5 ft	5,386.5 BTU
Wall 4	Polyurethane	4 in	0.1	85 °F	7 ft	7.5 ft	4,189.5 BTU
Ceiling	Polyurethane	4 in	0.1	110 °F	9 ft	7 ft	6,350.4 BTU
Floor	Polyurethane	4 in	0.1	65 °F	9 ft	7 ft	3,969 BTU

Total Area Load: **29,471.4 BTU**

Product Load - Auto Usage Selected

Total Product Load: **10,206 BTU**

Air Change Load

Dry Bulb: 96.4 °F	Wet Bulb: 69.3 °F	
Door Type 1: Man	Number of Door Type 1: 1	Door Usage: Average
Door Type 1: Curtains: None	Door Type 1 Curtain Efficiency: 0%	Total Door Type 1 Load: 16,800 BTU
Total Air Change Load:		53,966.8 BTU

Miscellaneous Load

People Load: 33,600 BTU	Lighting Load: 5,163.5 BTU	Motor Load: 0 BTU
Other Load: 0 BTU	Total Misc. Load: 38,763.5 BTU	

Load Calculation Summary

Total Design Load: 132,407.7 BTU	Safety Factor: 10%	Total Required Load: 145,648.5 BTU
---	---------------------------	---

SYS-1 - System Design Summary

General Requirements

Room Temperature: -10 °F	Ambient Temperature: 100 °F	Design Run-time: 18 Hrs	Required Capacity: 8092 BTUH
Design TD: 10 °F	Refrigerant: R-404A	Altitude: 1000 FT	

Selected Equipment

Line Item	Quantity	Type	Tag	Description
1.0	1	System	SYS-1	R-404A - Refrigeration Equipment Match 1
1.1	1	Condensing Unit	CDU-1	RFO250L4SDA
1.2	1	Unit Cooler	UC-1	RL6E090DDA

System Balance

Balanced Capacity: 8,630.4 BTUH	Evap. T.D.: 9.9 °F	Line Loss: 2 °F	Suction Temp: -21.9 °F	Calc. Run-Time: 16.9 Hrs
--	---------------------------	------------------------	-------------------------------	---------------------------------

SYS-1 - CDU-1 - Product Information**General Data**

Model Line: NEXT-GEN MINI-CON	Model Number: RFO250L4SDA	Flooded: Yes
Refrigerant: R-404A	Voltage: 208-230/1/60	Compressor Type: SCROLL

Performance Data

Ambient Temp: 100 °F	Suction Temp: -22 °F	Capacity: 8,264 BTUH
-----------------------------	-----------------------------	-----------------------------

Electrical Data

Compressor RLA: 14.7	Compressor LRA: 73	Total Condenser Fan FLA: 1
MCA: 20.4	MOPD: 35	

Physical Data

Number of Compressors: 1	Compressor Model: ZF08K4E	Compressor HP: 2.5
Number of Condenser Fans: 2	Approx. Ship Weight: 240 lbs	Sound Data: 73 dBA
Liquid Line: 3/8 in.	Suction Line: 7/8 in.	
Pump Down Capacity (%): 90	Pump Down Capacity: 13.6 lbs	

Option Data

Mounted Option	NO STANDARD DEFROST KIT
Mounted Option	LIQUID LINE WITH COMPONENTS: SEALED FILTER & SIGHT GLASS
Mounted Option	STANDARD RECEIVER
Mounted Option	FIXED HIGH/ADJUSTABLE LOW PRESSURE CONTROL

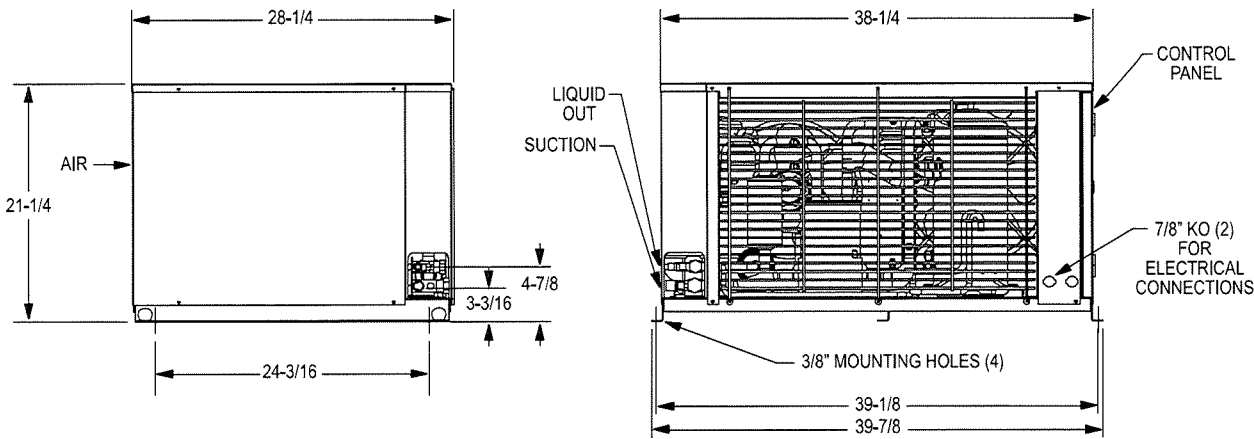
Compliance Data

AWEF: **3.15**

Notes

Quotes are valid for 30 Days. Due to ongoing product development, RapidSpec and its export documentation is subject to change without notice. In no event shall HTPG be liable for special or consequential damages in connection with the use or output of RapidSpec. MCA/MOPD and Defrost Kit selection will be confirmed at time of purchase. Submittal data shown represents design conditions.

Dimensional Drawing



Standard Features

- All-weather Galvanized steel painted housing
- Generously sized high efficiency condenser, enhanced copper tubes/aluminum fins
- Integral Liquid Subcooling Circuit provides subcooled liquid to the expansion device
- Crankcase heater
- Large electrical panel with hinged/removable door
- Color coded point-to-point wiring
- Quick access to shut off valves from exterior
- UL/cUL certified for use with multiple refrigerants
- UL/cUL listed for outdoor use
- Flooded models include flooded head pressure control
- Non flooded models include mild ambient fan cycle control

Certifications



SYS-1 - UC-1 - Product Information

General Data

Model Line: NEXT-GEN ALL-TEMP	Model Number: RL6E090DDA	Motors: DUAL SPEED EC MOTOR
Unit Voltage: 208-230/1/60	Defrost Type: ELECTRIC DEFROST	Refrigerant: R-404A
Fins Per Inch: 6	Number of Fans: 2	

Performance Data

Suction Temp: -20 °F	T.D: 9.9 °F	Capacity: 8,890 BTUH	CFM: 1550
-----------------------------	--------------------	-----------------------------	------------------

Electrical Data

Motor Voltage: 208-230/1/60	Total Unit Fan Motor Amps: 1	
Heater Voltage: 208-230/1/60	Heater Amps: 9.8	Heater Watts: 2250
MCA: 15	MOPD: 20	

Physical Data

Liquid Line: 3/8 in.	Suction Line: 7/8 in.	Approx. Ship Weight: 58 lbs
-----------------------------	------------------------------	------------------------------------

Option Data

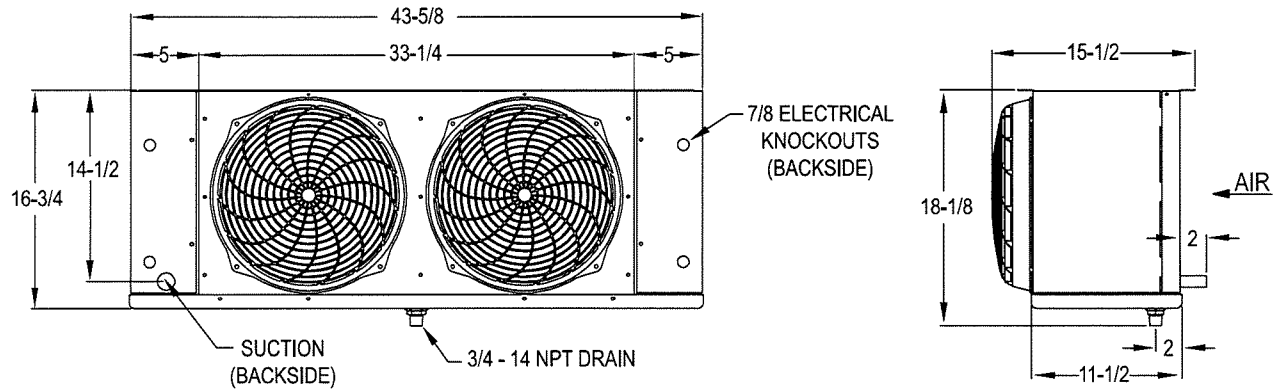
Mounted Option	EcoNet Control Package
----------------	------------------------

Compliance Data

AWEF: 4.15

Notes

Dimensional Drawing



Standard Features

- Embossed aluminum housing
- Enhanced copper tube and aluminum fin coil construction
- Sweat connections
- Thermal overload protection
- High efficiency fan guard design and deep draw venturi
- Heavy-duty fans are balanced for vibration-free operation
- Fan sections are baffled to prevent short cycling of air
- Slide out end panels
- Removable drain pan
- Mounts flush to the ceiling
- Top pan includes 1/2" wide slotted mounting points
- UL/cUL certified for use with multiple refrigerants
- NSF approved for use in food preparation areas

Certifications



Garden City Child Nutrition and Wellness Department Request for Proposal
1205 Fleming
Garden City, KS 67846
620-805-7080

Electronic bid due December 19, 2023

Description of Proposal

Items: Walk-in Freezer

Mail or Deliver bids to: Garden City School District
Child Nutrition and Wellness Dept.
1205 Fleming
Garden City, KS 67846

Contact: Tracy Johnson, Director at trjohnson@gckschools.com

Bid Timeline: RFP Opening – December 19 @ 10:00 AM
Award Notification January 9, 2024

Garden City School District will be accepting electronic proposal for walk in freezer box and Condenser. Only proposals received by the date and time specified will be considered. Bid results will be presented to the USD 457 Board of Education on January 8, 2024.

Per attached specifications listed in this invitation to bid. Bidders must specify manufacturer/model number/delivery days, and unit price on each item or bid may be determined to be non-responsive.

- Pricing shall be FOB Garden City, KS (freight and fuel expenses included).
- Line item. Award will go to most qualified bidder on each line item.
- The District reserves the right to reject any or all bids, to waive any informalities, irregularities or technical defects in bids, and unless otherwise specified by the District to accept any item or groups of items in the bid, as may be in the best interest of the District.
- Time (days, weeks, etc.) required for delivery is a significant consideration with respect to this award process. The time required for delivery must be indicated in the space provided or your bid may be found non-responsive and may not be considered.
- Bid shall include copies of pertinent warranty information pertaining to the product offered. The bidder agrees that equipment furnished under any resultant purchase order issued by Garden City Public Schools shall be covered by commercial warranties the contractor gives to any customer for such supplies. All warranty information and certificates shall be furnished and become the property of the District upon delivery and acceptance of said items and/or the contractor must honor services and all rights and remedies stated in the warranties.
- All items are new manufacture unless otherwise specifically stated in this bid.
- All products must have passed the first line quality standard as set by the manufacturer and no seconds, blemished articles or items having defective workmanship are included.
- Bidder shall notify the District immediately of any changes to specifications made by the manufacturer for the equipment listed.
- Bid may not be considered if a service charge, minimum dollar or minimum quantity order is applied.
- Bidder shall acknowledge all addenda for this bid and include the form acknowledgements with their bid.

Specifications:

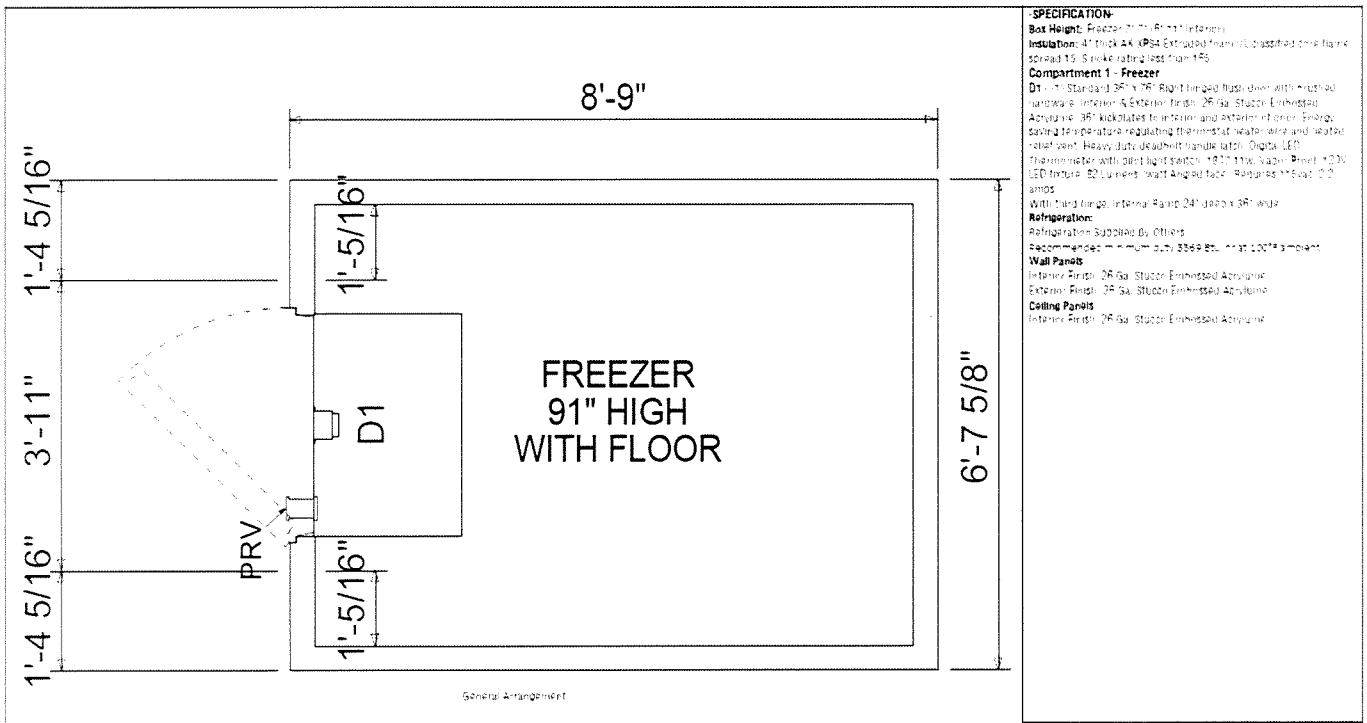
The following specifications are to serve as the minimum requirements for this solicitation, and should not be construed to exclude any other make or model of comparably equipped item of the same class designation. Any substitute must be approved in advance by the District.

Item 1

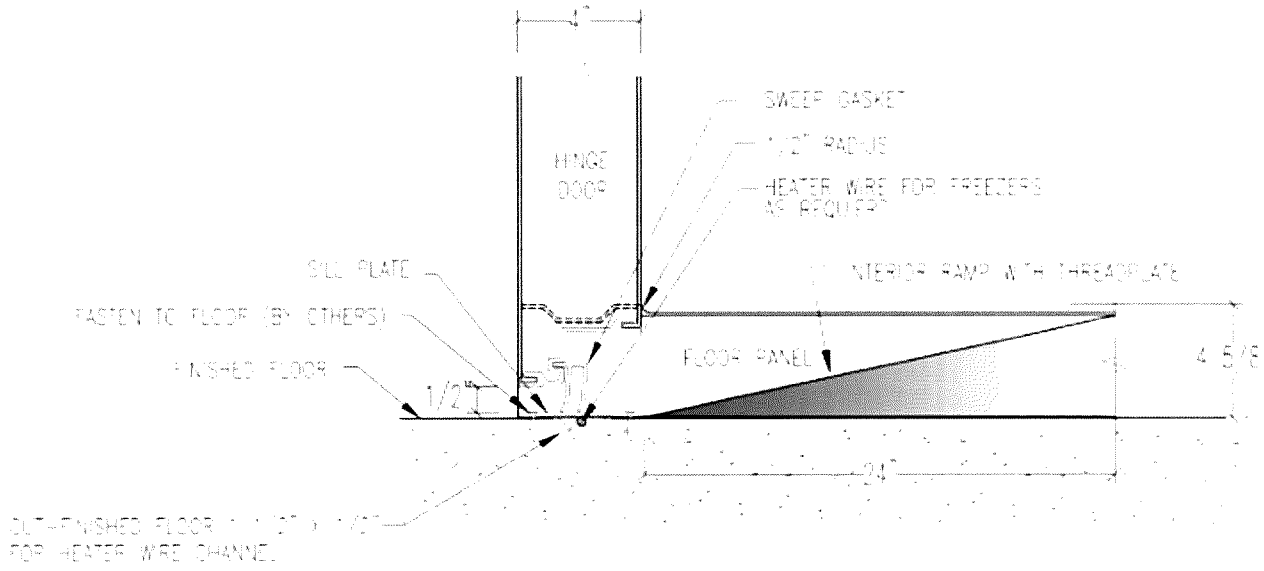
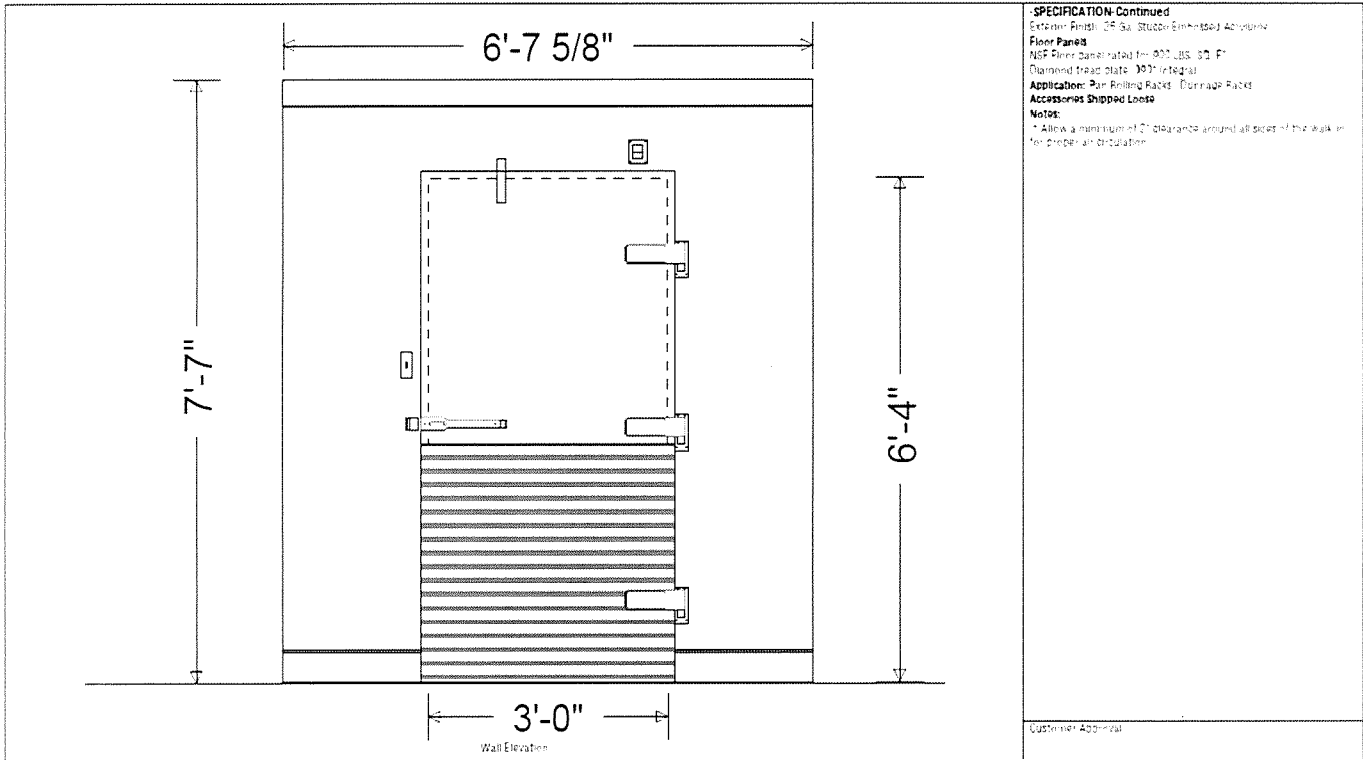
Outside Condenser with Indoor Evaporator
 2.5 Horsepower
 208/20V
 Single Phase

Item 2

Insulated Walk-In Freezer Box, 6'-7 5/8" x 8'-9" 7'7" height. Include 4" panels, door, LED fixture and floor.



-SPECIFICATION-
Box Height: Freezer 71" (8'11" Interior)
Insulation: 4" thick AA XPS Extruded Polystyrene, glass fiber facing
 Sprad 15.5 mils (average) min 15.5
Compartment 1 - Freezer
D1: 1" Standard 36" x 78" Right Inged Hinged door with multiple
 hardware. Interior & Exterior Finish: 26 Ga. Stucco Embossed
 Acrylic. 36" Kickplate. Telemetry and external timer. Energy
 saving 19 temperature regulating thermostat. Heater wire and heated
 relief vent. Heavy duty deadbolt handle latch. Digital LED
 thermometer with digital light switch. 18.75" (110V) Vapor Proof 1000
 LED fixture. 80 Lumen Watt Angled face. Requires 115V ac, 0.0
 amps
With Tuning Range: Internal Ramp 241,0000 x 36" w/4
Refrigeration:
 Refrigeration Supplied by Others
Recommended minimum sub. 3369 etc. 110V 100% ambient
Wall Panels:
 Interior Finish: 26 Ga. Stucco Embossed Acrylic
 Exterior Finish: 26 Ga. Stucco Embossed Acrylic
Ceiling Panels:
 Interior Finish: 26 Ga. Stucco Embossed Acrylic



INTERIOR RAMP 24" DEEP X 36" WIDE

10064: INTERIOR RAMP 24" DEEP X 36" WIDE OPENING FOR FREEZER (E.T. 0-MS HEATER WIRE

USD 457, Garden City Public Schools

Large Equipment Bid

Due: 12/19/2023 by 10:00 am

The District reserves the right to accept or reject all or any part of any quote, to waive technicalities, and to accept the offer that the District considers to be the most advantageous.

Requirement	Condenser
Manufacturer:	AmeriKooler
Model	BCH0022LBACZA0200
Price (unit Cost)	\$6,534
Price (total)	\$6,534
Estimated Delivery Date	2/16/24

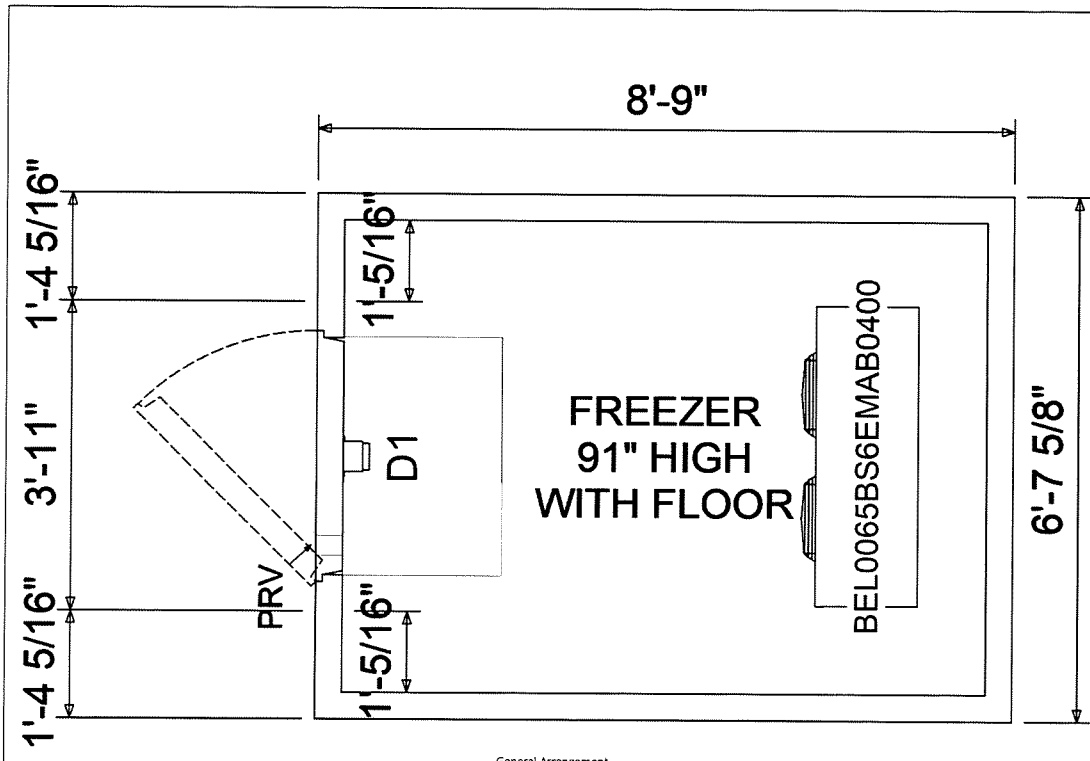
Requirement	Walk in Freezer Box
Manufacturer:	AmeriKooler
Model	CUSTOM
Price (unit Cost)	\$12,665
Price (total)	\$12,665
Estimated Delivery Date	2/16/24

Requirement	
Manufacturer:	
Model	
Price (unit Cost)	
Price (total)	
Estimated Delivery Date	

WE HEREBY AGREE TO FURNISH THE ITEMS ON WHICH PRICES ARE QUOTED ABOVE IN ACCORDANCE WITH ALL TERMS AND CONDITIONS PREVIOUSLY LISTED AND ANY ATTACHED SPECIFICATOINS.

BY: Phillip Schmidt
TITLE: Equipment Specialist
PHONE: (785) 823-6394

DATE: 12/19/23
FIRM: Sunflower Restaurant Supply
EMAIL: phillips@sunflowersrs.com



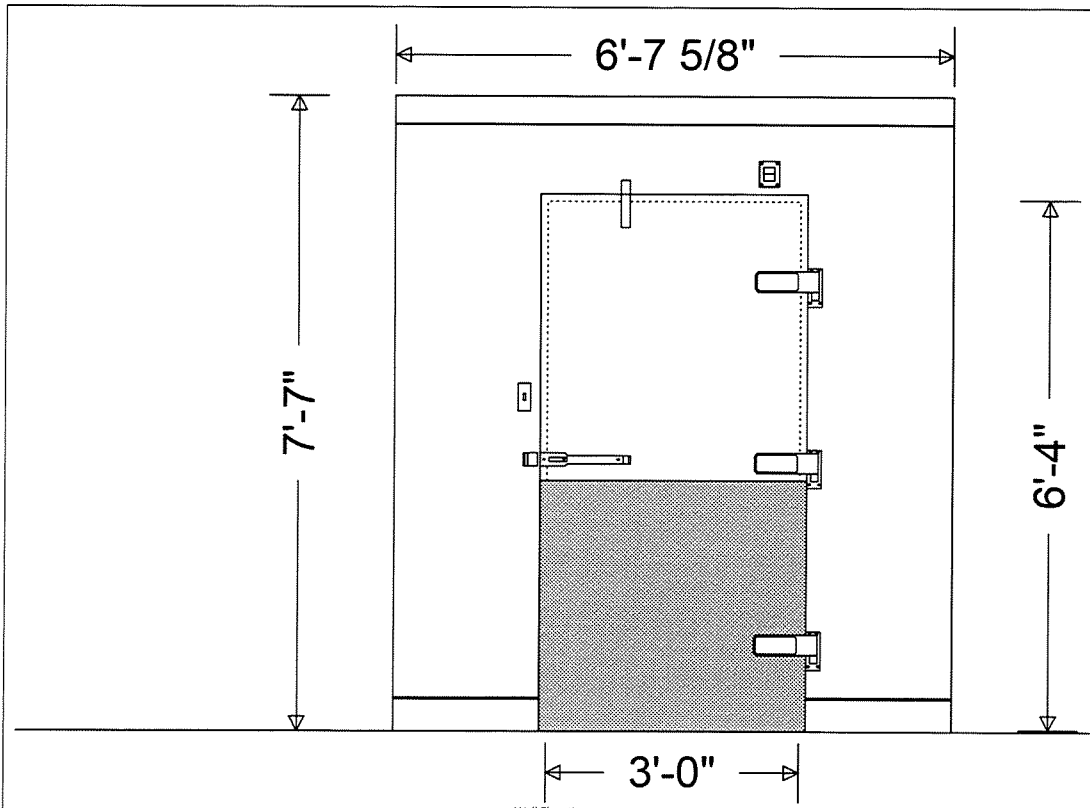
General Arrangement

-SPECIFICATION-
Box Height: Freezer 7'-7" (6'-11" Interior)
Insulation: 4" thick AX-XPS4 Extruded foam UL classified core flame spread 15, Smoke rating less than 165
Compartment 1 - Freezer
 D1 - (1) Standard 36" x 76" Right hinged flush door with brushed hardware. Interior & Exterior finish: 26 Ga. Stucco Embossed Acrylume. 36" kickplates to interior and exterior of door. Energy saving temperature regulating thermostat heater wire and heated relief vent. Heavy duty deadbolt handle latch. Digital LED Thermometer with pilot light switch. 1807 11w, Vapor Proof, 120V, LED fixture. 82 Lumens/watt Angled face. Requires 115vac. 2.2 amps.
 With third hinge, Internal Ramp 24" deep x 36" wide
Refrigeration:
 (1) 2 HP Bohn DOE Compliant Outdoor Condensing Unit, Model BCH0022LBACZA0200, 208-230/1/60, MCA 21 Amps, Low Temperature, Scroll, Air-cooled, R-404A. This refrigeration system is designed and certified for use in walk-in freezer applications - AWEF3.1, 1 yea (7259 Btu/hr @ -10°F room temperature and 100°F ambient)
 (1) Bohn DOE Compliant BEL0065BS6EMAB0400, 208-230/1/60, Low Profile Electric Defrost, 1 Fan Amps with Fixed Speed EC motor
 (1) Extended 4 year compressor Warranty

Customer Approval: _____

Quote No : 23-35979 Revision :	Project : Garden City School District	Date : 12/13/2023
Customer : Sunflower Restaurant Supply (PRIDE)	Page 1 of 4	





-SPECIFICATION-Continued

Wall Panels

Interior Finish: 26 Ga. Stucco Embossed Acrylume

Exterior Finish: 26 Ga. Stucco Embossed Acrylume

Ceiling Panels

Interior Finish: 26 Ga. Stucco Embossed Acrylume

Exterior Finish: 26 Ga. Stucco Embossed Acrylume

Floor Panels

NSF Floor panel rated for 900 LBS/ SQ. FT.

Diamond tread plate .090" Integral

Application: Pan Rolling Racks , Dunnage Racks

Accessories Shipped Loose

(1) 48" LED LIGHT STRIP FIXTURE 96 LUMENS /WATT 120VAC, 0.33

AMPS - TEMP RANGE: -30°F-104°F, SHIP LOOSE RECOMMENDED

ONE FIXTURE EVERY 144 SQ. FT. AT 12' HIGH

Notes:

* Allow a minimum of 2" clearance around all sides of the walk-in

for proper air circulation

Customer Approval: _____

Quote No : 23-35979 Revision :

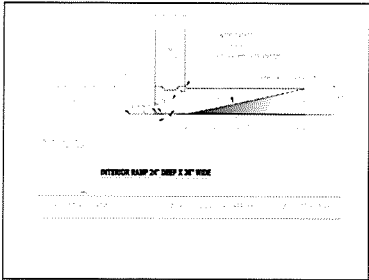
Project : Garden City School District


Date : 12/13/2023

Customer : Sunflower Restaurant Supply (PRIDE)

Page 2 of 4





Quote No : 23-35979 Revision :	Project : Garden City School District	Date : 12/13/2023	
Customer : Sunflower Restaurant Supply (PRIDE)	Page 3 of 4		



Quote

12/19/2023

Project:
53266 Garden City Public School
District

From:
Douglas Equipment
Cale Veneri
301 North St.
Bluefield , WV 24701-4048
304-327-0149

Job Reference Number: 127967

Item	Qty	Description	Sell	Sell Total
1	1 ea	RECTANGULAR OUTDOOR FREEZER Imperial Brown Model No. RECTANGULAR OUTDOOR FREEZER Walls Exterior finish: STUCCO GALVALUME — Interior finish: STUCCO GALVALUME Connection to ceiling: CAMLOCK — Connection to floor: CAMLOCK — Ceiling caps: MOUNTED 4 section 4" urethane NSF wall panels [LDU400] Ceilings Exterior finish: METAL — Interior finish: STUCCO GALVALUME 1 section 4" urethane NSF ceiling panels (45 #/sf. live load) [LDU400] Floors Int. Finish: .080 ALUMINUM DIAMOND TREAD over 1/2" PLYWOOD — Ext. Finish: METAL 1 section 3 1/2" high density urethane NSF Hand-Truck Floor panels model #HTFN (NSF) [HDU350] Doors **STAINLESS STEEL AND TAMPER-PROOF FASTENERS** FRAME: 4" high density urethane door section, 3-sided, 4-sided heat cable LEAF: 4" thick, 3-side lap, Magnetic gasket, 2 1/4" black neoprene sweep RAISED 1/4" for flooring HARDWARE: (3) W59 hinge, (1) 27C deadbolt handle, (1) 27C knob ins. Rel., (1) Kason 'PUSH' pad, (1) 1094 closer, (1) IB locking hasp FINISH: Stucco galvalume / 24 ga. stainless steel 430 (magnetic) liners	\$20,483.10	\$20,483.10

Item	Qty	Description	Sell	Sell Total
		<p>KICKPLATES: 36" high, .063 aluminum diamond tread (LP) (ext. leaf) / 36" high, .063 aluminum diamond tread (LP) (int. leaf) w/ (1) ea. Weiss 24DT-L, single pole switch and thermometer combo @ ext. w/ (1) ea. Vapor proof light fixture base only for E26 LED lamp w/ concealed conduit w/ (1) ea. Kason 1825LE heated air vent (4W, 120V, .04A) w/ (1) ea. Rain drip cover w/ (1) ea. .080 smooth aluminum threshold w/ Electrical components to be pre-wired 1 ea. 34" x 78" flush model G3 self-closing freezer swing door (RIGHT hinge) [A] Parts (Fixture ships loose for field installation.) 1 ea. 4' LED light fixture #LED-440079 for cooler or freezer application (65W, 120-277V, 0.6- 0.3A) 1 ea. 24" deep model #HTFi interior ramp, w/ non-skid strips Simpson Titen or similar concrete screws @ 24" o/c 17 ea. Prefabricated floor seismic restraint system (2" x 2") x 96" x Stucco galvalume 5 ea. Interior seismic tie-down @ ceiling level Cut size: 11ft x 9ft - High end: 11ft side - Rise: 1 3/8 in. (Attaches to building on 8' - 9" side of box.) [QBRCS-59] 1 Pkg. Sloped roof - Membrane roofing [3 AA, 3 A, 0 B, 0 C, 0 Flat] 1 Pkg. Sloped roof - ISO boards Refrigeration 6567 BTU/H @ 11F TD with 16.2 hr runtime @ -10F inside/95F outside room, 101F @ cond. unit, 2832ft altitude 1 ea. Freezer - Outdoor R404a split system w/ EcoNET 1-year refrigeration system labor warranty (Freezer) 208-230V/1ϕ/60Hz/2.3HP Scroll compressor MCA=32, MOPD =35, AWEF: 3.14 39.875W x 28.25D x 18.75H x 230lbs. (1) Russell R404a air cooled condensing unit #RFO230L4SDA-NT w/ (2) 2-speed EC motors (1A) & electric defrost (9.8A) 208-230V/1ϕ/60Hz 43.625W x 15.5D x 18.125H x 42lbs. (1) Russell R404a Next-Gen All-Temp evaporator model #RL6E066DDARE 4-year extended compressor warranty (Freezer) FOB Factory, Imperial Brown does not offer FOB destination** - Quote based on RFQ - no specs available at time of quote. - Nominal sizes quoted. Contact factory if exact sizes is required - price may vary.</p>		

Douglas Equipment

12/19/2023

Item	Qty	Description	Sell	Sell Total
		<ul style="list-style-type: none"> - Engineering and seismic restraints (if needed) are not included. - Doors are pre-wired to interior terminal j-boxes. Final connection, penetrations by others. - Refrigeration (if quoted) is sized for holding only - no product or pulldown loads are assumed. - Verify all electrical requirements prior to placing order. - Upon ordering please include jobsite name, and job site address. Also please include shipping instructions if not specified. - Pricing is good for items ordered and approved within 30 days of this quote, and shipped within IB standard lead time. Once this quote expires, IB will have to update the quote. No pricing, with or without a PO in hand, will be valid if shipment is beyond 6 months of this quote date. <p>SPECIAL NOTES: STANDARD NOTES:</p> <ul style="list-style-type: none"> -Options, if any, are shown on the following detail pages for each item. OPTIONS ARE NOT INCLUDED IN FOB PRICE. -Please place a check mark next to each desired option. -This offer is limited to the items explicitly incorporated into the written specifications contained herein. It is the customer's responsibility to review this quotation for accuracy and completeness in all aspects. No additional responsibility or liability is hereby assumed for errors and/or omissions. -LOIs will not hold pricing under any circumstances. After 90 days, if the job has not shipped, the project will need to be re-quoted. -Installation quote, when provided, is based on non-union labor unless otherwise specified. -Freight quote is estimated only; current freight will be billed. -If, after production is complete, the customer requests the delivery date to be moved by more than 7 days past the original date, a \$200 storage fee will be charged per pallet per week for goods stored in our factory. -Meets 2009 Federal Energy Independence and Security Act Requirements. -All panel and door assemblies should be installed by a qualified and experienced contractor. To ensure proper installation and avoid potential loss of warranty resulting from poor installation, the Manufacturer can arrange to handle your installation for you. 		
			Freight: \$1,523.00	\$1,523.00
			Installation: \$11,620.00	\$11,620.00
			ITEM TOTAL:	\$33,626.10
			Total	\$33,626.10

Acceptance: _____ Date: _____

Printed Name: _____

Project Grand Total: \$33,626.10

SPECIFICATIONS

Outdoor freezer (-10°F) (with floor)
Vinyl NSF gasket (1/16" joint thickness), Cam-lock layout SHI

SPECIAL INSTRUCTIONS

Tamper-proof fasteners
Standard crating

WALL PANELS

Construction: 4" urethane
Exterior Finish: Stucco galvalume
Interior Finish: Stucco galvalume
Ceiling connections: Camlock
Floor connections: Camlock

CEILING PANELS

Construction: 4" urethane
Exterior Finish: Metal
Interior Finish: Stucco galvalume
Ceiling Cages: Factory mounted
Live Load: 45 psf

FLOOR PANELS

Model: Hand-Truck Floor panels model #HTFN (NSF)
Construction: 3 1/2" high density urethane
w/ .080 aluminum diamond tread @ interior
over 1/2" plywood
w/ Metal @ exterior

DOORS

[A]: 34" x 78" flush model G3 self-closing freezer door
*** TAMPER-PROOF FASTENERS ***
*** STAINLESS STEEL TAMPER-PROOF FASTENERS ***
*** STAINLESS STEEL FASTENERS ***
*** ELECTRICAL COMPONENTS PRE-WIRED ***
Brand: Imperial Brown
Frame: 4" high density urethane, 3-sided
w/ Stucco galvalume both sides
w/ 24 ga. stainless steel 430 (magnetic) liners
w/ 4-sided heat cable in frame (FL-4-117M)
(24'-9" x 5 ohms/ft (124 total) @ 4.8 W/ft - Pepi - 120V, 1A)
Leaf: 4" thick, 3-side lap, raised 1/4"
w/ Stucco galvalume both sides
w/ Magnetic gasket
w/ 2 1/4" black neoprene sweep
(3) Component Hardware #W59 spring assisted adjustable hinge
(1) Kason #27C cylinder locking deadbolt handle
(1) Kason #27C twist-off knob inside release
(1) Kason "PUSH" pad
(1) Kason #1094 hydraulic door closer (polished chrome)
(1) IB locking hasp w/ inside release
(1) Weiss 24DT-L, single pole switch and thermostat combo @ ext.
(1) Vapor proof light fixture base only for E26 LED lamp w/ concealed
conduit
(1) Terminal J-Box @ int.
(1) Kason 1825LE heated air vent (4W, 120V, .04A)
(1) rain drip cover
(1) .080 smooth aluminum threshold for interior ramp
(1) 36" high AFP .063 aluminum diamond tread (LP) kickplates (leaf, ext. & int.)

PARTS

(1) ea. Vapor proof light globe & E26 LED bulb
(1) ea. 4' LED light fixture #LED-440079 for cooler or freezer application (65W, 120-277V, 0.6-0.3A) - (Fixture ships loose for field installation.)
(17) ea. Prefabricated floor seismic restraint system-Simpson Titen or similar concrete screws @ 24"/c
(5) ea. Interior seismic tie-down @ ceiling level-(2" x 2") x 96" x Stucco galvalume
(1) Pkg. Sloped roof - Membrane roofing-Cut size: 11ft x 9ft - High end: 11ft side - Rise: 1 3/8 in.
(Attaches to building on 8" - 9" side of box.) (QBRC3-59)
(1) Pkg. Sloped roof - 150 boards-13 AA, 1 A, 0 B, 0 C, 0 Flat)

REFRIGERATION

(1) ea. Freezer - Outdoor R404a split system w/ EconET
6567 BTU/H @ 11F TD with 16.2 hr runtime @ -10F inside/95F outside room
101F @ cond. unit, 2832ft altitude
(1) Russe11 R404a air cooled condensing unit #RFO230L45DA-N7
208-230V/1ø/60Hz/2.3HP Scroll compressor
MCA=32, MOPD =35, AWEF: 3.14
39.875W x 28.25D x 18.75H x 230lbs.
(1) Russe11 R404a Next-Gen All-Temp evaporator model #RL6R066DDARE
w/ (2) 2-speed EC motors (1A) & electric defrost (9.8A)
208-230V/1ø/60Hz
43.625W x 15.5D x 18.125H x 42lbs.

SPECIAL PANELS

XXX w/ (1) ea. 24" deep model #HTPI interior ramp. w/ non-skid strips

NOTES

Meets 2009 Federal Energy Independence and Security Act Requirements.

STANDARD NOTES

To prevent condensation, a minimum 2" from the walk-in exterior surface is required. High humidity conditions may require force ventilation in addition to clearance.

Installation site floor must be true and level within 3/16" per 10' or additional costs may be incurred.

R-Plus Doors sliding and vertical lift doors shall not be considered means of egress. Check code egress requirements for your application.

ELECTRICAL

Field electrician to verify maximum acceptable load for light switches. If load is too high, then relay type controls should be used.
After wiring devices, ALL conduits must be sealed to stop moisture transfer through electrical raceways.
Failure to seal device per NEC codes WILL VOID WARRANTY.

REVISIONS



NSF LABEL
N.S.F. LISTED (STD #7)
N.S.F. GASKET @ ALL PANEL JOINTS

- PRELIMINARY DRAWING -

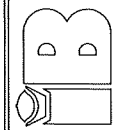
Customer Note: This is a preliminary drawing only. Approving this drawing only indicates that you agree with overall dimensions and door and opening locations. Panel sizes and layout is subject to change. If "Nominal Size" has been quoted, then actual dimensions may end up a bit smaller than drawn herein. Actual drawings will be shown on subsequent non-preliminary drawings. Should discrepancies be found between drawing and sales order, customer may be asked to approve standard Submittal drawings.
The customer or their representative in signing these drawings is taking responsibility for overall size and fit around building walls, columns and existing restrooms, door locations, openings for equipment supplied by others, specifications and accessories listed.
 APPROVED FOR FABRICATION WITH NO CHANGES
 APPROVED FOR FABRICATION WITH CHANGES
 REVERSE AND RESUBMIT
Signature: _____

23-IB-96161-01
23-IB-96161.001-1-00

NOT FOR CONSTRUCTION

PRELIMINARY

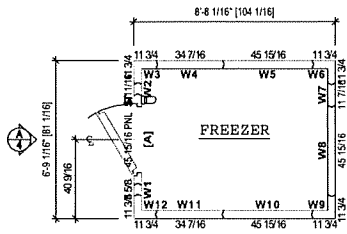
DOUGLAS FOOD STORES, INC.
BLUEFIELD, WV
GARDEN CITY SCHOOL DISTRICT CHILD NUTRITION
GARDEN CITY, KS



IMPERIAL BROWN
198 S.D. 253rd Ave.
Bluefield, WV 26005
Phone: 505-465-5539
Fax: 505-465-2828
www.imperial-brown.com

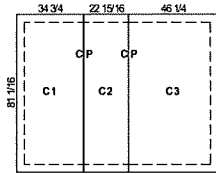
NOTE TO PREVENT CONDENSATION: ALL CRACKS/FITING CLEARANCE AROUND THE EXTERIOR OF THIS UNIT SHALL BE SEALED WITH AN APPROPRIATE GASKET AND THE FLOOR BELOW 75F OR FORCED VENTILATION MAY BE REQUIRED IN ADDITION TO CLEARANCE.
NOTE: FLOORS OF INSTALLATION SITES SHALL BE TRUE AND LEVEL WITHIN 3/16" PER 10' OR ADDITIONAL COSTS MAY BE INCURRED.
NOTE: MANUFACTURER IS NOT RESPONSIBLE FOR ELECTRICAL, PLUMBING, PERMITS OR CONCRETE WORK UNLESS LISTED ON THE DRAWING.

DO NOT SCALE THIS DRAWING
SCALE: 3/16" = 1'-0"
DATE DRAWN: 12/15/2023
DATE PRINTED: 12/15/2023
BY: PDX-Assistant
CHKD BY:
DRW#: **23-IB-96161-01**
BOX: 1 OF 1
SHEET: 1 OF 6



WALL PANELS

--- Stucco galvalume



CEILING PANELS

- CONSTRUCTION LEGEND:**
- 4" urethane
 - 4" high density urethane
 - 3 1/2" high density urethane

23-IB-96161-01

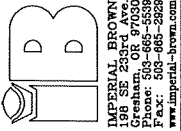
23-IB-96161.00.01-00

NOT FOR CONSTRUCTION

PRELIMINARY

DOUGLAS FOOD STORES, INC.
 BLUEFIELD, WV
 GARDEN CITY SCHOOL DISTRICT CHILD NUTRITION
 GARDEN CITY, KS

NOTE: TO PREVENT CONDENSATION, ALLOW 2" MIN. CLEARANCE AROUND THE EXTERIOR OF
 INDOOR WALLS. MAINTAIN THE TEMPERATURE BELOW 70°F AROUND THE EXTERIOR OF
 WALLS. MAINTAIN THE TEMPERATURE BELOW 70°F AROUND THE EXTERIOR OF
 FLOORS OF INSTALLATION SITES SHALL BE TRUE AND LEVEL WITHIN 3/16" PER 10' OR
 ADDITIONAL COSTS MAY BE INCURRED.
 NOTE: MANUFACTURER IS NOT RESPONSIBLE FOR ELECTRICAL, PLUMBING, PERMITS OR
 CONCRETE WORK UNLESS LISTED ON THE QUOTE.

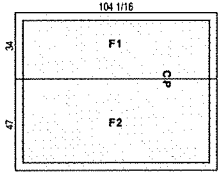


IMPERIAL BROWN
 198 SE 233rd Ave.
 Gretna, OH 44130
 Phone: 330-5539
 Fax: 330-5539
 www.imperial-brown.com

DO NOT SCALE THIS DRAWING

SCALE: 3/16" = 1'-0"
 DATE DRAWN: 12/15/2023
 DATE PRINTED: 12/15/2023
 BY: PDX-Assistant
 CHK'D BY:

DRW# **23-IB-96161-01**
 BOX: 1 OF 1
 SHEET: 2 OF 6



FLOOR PANELS

23-IB-96161-01

23-IB-96161.00.01-00

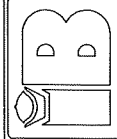
NOT FOR CONSTRUCTION

PRELIMINARY

DOUGLAS FOOD STORES, INC.
BLUEFIELD, WV

GARDEN CITY SCHOOL DISTRICT CHILD NUTRITION
GARDEN CITY, KS

NOTE: PRESENT CONSTRUCTION ALLOW 2" MIN. CLEARANCE AROUND THE EXTERIOR OF
WALKWAYS AND WALKWAYS. MAINTAIN RELATIVE HUMIDITY BELOW 65% AND TEMPERATURE BELOW 70°F
OR FORCED VENTILATION MAY BE REQUIRED IN ADDITION TO CLEARANCE.
NOTE: FLOORS OF INSTALLATION SITES SHALL BE TRUE AND LEVEL WITHIN 3/16" PER 10' OR
ADDITIONAL COSTS MAY BE INCURRED.
NOTE: MANUFACTURER IS NOT RESPONSIBLE FOR ELECTRICAL, PLUMBING, PERMITS OR
CONCRETE WORK UNLESS LISTED ON THE QUOTE.

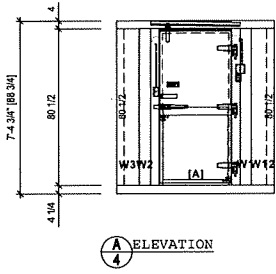


IMPERIAL BROWN
188 S.W. 253rd Ave.
Davie, FL 33317
Phone: 500-665-5539
Fax: 500-665-2628
www.imperial-brown.com

DO NOT SCALE THIS DRAWING

SCALE: 3/16" = 1'-0"
DATE DRAWN: 12/15/2023
DATE PRINTED: 12/15/2023
BY: PDX-Assistant
CHK'D BY:

DRW#: **23-IB-96161-01**
BOX: 1 OF 1
SHEET: 3 OF 6



23-IB-96161-01
23-IB-96161.00.01-00

NOT FOR CONSTRUCTION

PRELIMINARY

DOUGLAS FOOD STORES, INC.
BLUEFIELD, WV
GARDEN CITY SCHOOL DISTRICT CHILD NUTRITION
GARDEN CITY, KS

NOTE: TO PREVENT CONDENSATION, ALLOW 2" MIN. CLEARANCE AROUND THE EXTERIOR OF UNITS AS WALKERS. MAINTAIN RELATIVE HUMIDITY BELOW 85% AND TEMPERATURE BELOW 75°F OR FORCED VENTILATION MAY BE REQUIRED IN ADDITION TO CLEARANCE.
NOTE: FLOORS OF INSTALLATION SITES SHALL BE TRUE AND LEVEL WITHIN 3/16" PER 10' OR ADDITIONAL COSTS MAY BE INCURRED.
NOTE: MANUFACTURER IS NOT RESPONSIBLE FOR ELECTRICAL, PLUMBING, PERMITS OR CONCRETE WORK UNLESS LISTED ON THE QUOTE.

IB
IMPERIAL BROWN
188 SE 230TH AVE.
GARDEN CITY, KS 66503
Phone: 503-665-5539
Fax: 503-665-2828
www.imperial-brown.com



DO NOT SCALE THIS DRAWING
SCALE: 3/16" = 1'-0"
DATE DRAWN: 12/15/2023
DATE PRINTED: 12/15/2023
BY: PDX-Assistant
CHK'D BY:
DRW#: **23-IB-96161-01**
BOX: 1 OF 1
SHEET: 4 OF 6



Box Load Calculation

Quote/Order #
23-IB-96161

Imperial Brown (Prague Division) - 2115 West Main Street - Prague, OK 74864
 Phone: (800) 238.4093 - Fax: (503) 665.2929
 Internet: imperialbrown.com

CCB #0091759

Box #: 1
Box Description: 6' - 9 1/16" x 8' - 8 1/16" x 7' - 4 3/4" rectangular outdoor freezer (-10°F) (with floor)

System Name: Freezer
Holding Temp. (° F): -10 **Ambient Temp. @ Chamber (° F):** 95
Altitude (Ft.): 2832 **Ambient Temp. @ Cond. Unit (° F):** 101
RH %: 90%

System Summary: (1) RFO230L4SDA-NT w/ (1) RL6E066DDARE - 6567
 BTU/H Capacity @ 11° F TD @ 16.2 hour runtime
 @ 95°F ambient / -10°F room temp. / 2832ft altitude

Load Summary:	Surfaces	1,641	27.83%	
(BTU/H)	Infiltration	3,615	61.31%	2.00 times ASHRAE's recommended infiltration load
	Product	90	1.53%	ASHRAE recommended values for holding load only
	Misc.	550	9.33%	
	Total	5,896		

Product Data	
Product Weight (lbs.)	324
Pull Down Time (Hours)	24
Entering Temp. (° F)	0
Final Temp. (° F)	-10
Freezing Point (° F)	29
Specific Heat - Above	0.90
Specific Heat - Below	0.40
Latent Heat of Fusion	115.00
Respiration Load	0.00
Heat of Respiration	0.00

Misc. Data	
Motor HP Equivalence	0.03
Lighting Watts / Ft. ²	1.11
Occupancy	0.01
Forklift	0.00
Misc. BTUH	0.00



RFO230L4SDA-NT Air Cooled / Scroll

Imperial Brown (Prague Division) - 2115 West Main Street - Prague, OK 74864
 Phone: (800) 238.4093 - Fax: (503) 665.2929
 Internet: imperialbrown.com

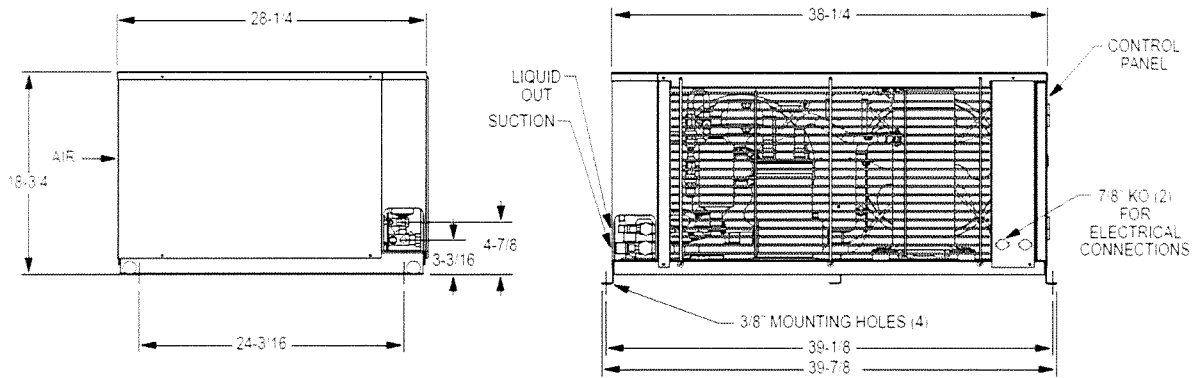
CCB #0091759

Physical Data

Refrigerant	Compressor		Connections		Receiver Capacity (90%)	Sound Data	Net Weight (lbs.)	Altitude (Feet)	Ambient Temp (°F)
	Model #	HP	Liquid	Suction					
R404a	ZF07KAE	2.3	3/8"	7/8"	11.6	71	230	2832	101

Electrical Data

Power Supply			Compressor		MCA		MOP		Notes
Volts	Phase	Hz	RLA	LRA	Air Def.	Elec. Def.	Air Def.	Elec. Def.	
208-230	1	60	12.44	75	17.5	32	25	35	MCA = Minimum Circuit Ampacity MOP = Maximum Overcurrent Protection



Capacity (BTUH) @ Designated Saturated Suction Temperatures

+40° F	+35° F	+30° F	+25° F	+20° F	+15° F	+10° F	+5° F	+0° F
0	0	0	0	0	0	0	0	10,289
-5° F	-10° F	-15° F	-20° F	-25° F	-30° F	-35° F	-40° F	
9,450	8,307	7,311	6,408	5,587	4,831	4,117	3,402	

Physical and Electrical Data

Defrost Type	Air Flow	Capacity (BTUH)	Net Weight (lbs.)	Altitude (Feet)
Electric	1600	5,973	42	2832

Power Supply			Fans			Heaters		Connections		
Volts	Phase	Hz	Qty	Amps	Motor Type	Amps	Watts	Inlet	Outlet	Drain
208-230	1	60	2	1.0	EC2	9.8	2250	3/8"	7/8"	3/4"

Front and Right Views

