

ALPENA COUNTY MAINTENANCE DEPARTMENT

720 W. Chisholm Street, Suite #6

Alpena, MI 49707

Telephone (989) 354-6016 Fax (989) 354-9648

wilderw@alpenacounty.org

MEMO

TO: Finance / Ways and Means Committee

FROM: Wes Wilder
Maint. Supt.

DATE: 4/5/22

SUBJECT: Replacement parts for Jail

It has been suggested by Weinkauf Plumbing and Heating that spare parts be kept on hand at the Jail for the showers, lavatories and water closets due to the length of time it takes to get the parts once ordered. Attached is a price breakdown for those parts. It is my recommendation that the following parts be ordered to have on hand.

- 2- PML2 complete valve assemblies for lavatories
- 2- PML2 complete valve assemblies for showers
- 2- Pneumatic ligature resistant push button assemblies for water closets
- 2- Manual reset toilet overflow prevention
- 2- Flush valve rebuild kits

Total cost would be \$5,537.00 and this was not budgeted for.



Mechanical Contractors
 1411 M-32 West
 Alpena MI 49707
 (989) 354-5427

Cooling and Refrigeration

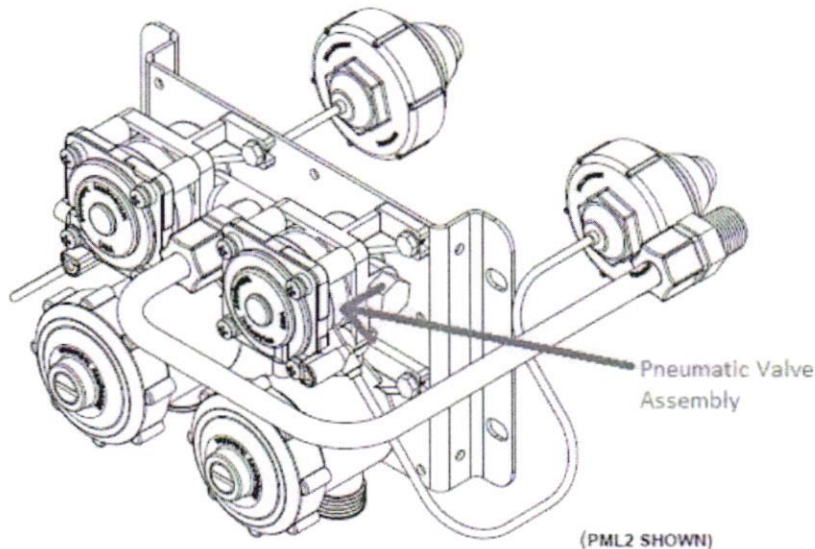
17 November 2021

Alpena County Sheriff
 4900 M-32 West
 Alpena, Mi. 49707

Re: Detention Fixture Spare Parts

Proposal:

- Rebuild kits for the Pneumatic Valve metering on the Lavatory and Shower. (Just the part the arrow points to.) \$ 772.00 Each
- New PML2 for Lavatory. (The whole assembly below includes: 2 push buttons and 2 Pneumatic Valves.) \$ 695.00 Each
- New PML2 for Shower. (The whole assembly below includes: 4 push buttons and 4 Pneumatic Valves.) \$ 1,144.00 Each
- Pneumatic Ligature resistant bush button assemblies for showers/lavs. \$ 238.00 Each



- Pneumatic Ligature resistant bush button assemblies for water closets. \$ 438.00 Each
- Manual reset toilet overflow prevention. \$ 372.00 Each
- Flush valve rebuild kits 1.28 GPF HET. \$ 124.00 Each

Respectfully,
 Teresa Dezelski

All quotes are good for 30 days from date above.

Page 1 of 1