



DAKTRONICS.COM

201 Daktronics Drive PO Box 5128
Brookings, South Dakota 57006-5128
T 800-325-8766 605-692-0200 F 605-697-4700

Thank you for giving Daktronics the opportunity to be your equipment provider. It is important to us that we capture your vision for this project. The provided quote outlines your product selection. Please look it over carefully and work with your salesperson to review and answer any questions.

We look forward to partnering with you on this exciting opportunity!

Placing Order:

When you are ready to place your order, contact your salesperson to obtain order documents. Daktronics will need the following information:

- Finalized equipment decision, including colors
- Delivery location/address
- Bill to information – Invoice Remit

If you are incorporating school or sponsorship logos into your project, please view [Daktronics Graphics File Standards](#) and submit with your order documents.

Additional Information:

Our website and blog offer helpful information. Learn more about what our customers are talking about by visiting the following:

- Could your PA system use an upgrade?
 - Check out our [Sports Sound Systems](#).
- Wishing you could check off more items on your list of needs?
 - See how [Daktronics Sports Marketing](#) could add revenue to your budget.
- Curious what other schools have installed?
 - Look through our [Daktronics Sports Photo Gallery](#) for ideas.
- Did you know we have an in-house reliability laboratory?
 - Experience the testing your components undergo in our [Product Reliability Lab](#).
- Interested in financing options for orders over \$25,000?
 - View our [Getting Started Guide](#) to see what Daktronics offers.
- Want to view helpful information related to our products, in addition to stories on how other schools are developing students and generating revenue?
 - Check out our [blog](#).

DAKTRONICS QUOTE # 809704-1-0

Badger Independent School District 676
 Stacey Warne
 110 E Carpenter Ave
 Badger, MN USA 56714
 Phone: (218)528-3201
 Fax:
 Email: swarne@badger.k12.mn.us

6/Oct/2022
 Quote valid for: 60 days
 Terms: Net 30 days from shipment with
 Purchase Order
 Subject to Credit Review
 FCA: DESTINATION
 Delivery: Call for Production Time

Reference: Basketball

Item No.	Model	Description	Qty	Price
1	BB-2103-RA-PV	Tuff Sport® PanaView® Basketball/Volleyball/Wrestling Scoreboard; Scoreboard Color: Forest Green (8750); Caption Color: White (7725-10) Cabinet Dimensions: 6' 0" H X 8' 0" W X 0' 6" D (Approx. Dimensions) Digit Type: PANAVIEW Max Power: 200 watts/display Weight: Unpackaged 161 lbs per display; Packaged 185 lbs per display	1	\$6,560.00
	Stripe; Indoor	Indoor Scoreboard Border Stripe; Color: White (7725-10)	1	
	PanaView Double Bonus Option	For use on indoor basketball scoreboards	1	
	AS-5010 Kit	All Sport® 5010 Control Console Kit	1	
	Indoor Scoreboard Radio Communication (Transmitter)	Frequency of 2.4 GHz	1	
	Radio Receiver	Frequency of 2.4 GHz	1	
2	BB-2114-R-PV	Tuff Sport® PanaView® Shot Timer; 2 Displays; Scoreboard Color: Semi-Gloss Black Cabinet Dimensions: 1' 7" H X 1' 10" W X 0' 6" D (Approx. Dimensions) Digit Type: PANAVIEW Digit Color: RED Max Power: 40 watts/display Weight: Unpackaged 15 lbs per display; Packaged 32 lbs per display	1	\$3,845.00
	Radio Receiver	Frequency of 2.4 GHz	2	
3	BB-2101-RA-PV	Tuff Sport® PanaView® Basketball Scoreboard; Scoreboard Color: Forest Green (8750); Caption Color: White (7725-10) Cabinet Dimensions: 4' 0" H X 8' 0" W X 0' 6" D (Approx. Dimensions) Digit Type: PANAVIEW Max Power: 200 watts/display Weight: Unpackaged 124 lbs per display; Packaged 140 lbs per display	1	\$4,105.00
	Stripe; Indoor	Indoor Scoreboard Border Stripe; Color: White (7725-10)	1	



DAKTRONICS QUOTE # 809704-1-0

	PanaView Double Bonus Option	For use on indoor basketball scoreboards	1	
	Radio Receiver	Frequency of 2.4 GHz	1	
4	FREIGHT	DOES NOT INCLUDE OPTIONAL ITEMS. Shipping to site via LTL (enclosed trailer). Usually unloads at a dock. Forklift or pallet jack may be required.	1	\$525.00
Services				
5	G5C5-W	Five Year Warranty - Parts Coverage - G5G5	1	

Total Price Excluding Applicable Tax:	\$15,035.00
--	--------------------

Please reference listed sales literature: DD1628383 for G5C5-W, DD2481847 for BB-2101-RA-PV, DD2481852 for BB-2103-RA-PV, DD2481873 for BB-2114-R-PV, SL-03991 for AS-5010 Kit, SL-04370 for Indoor Scoreboard Radio Communication (Transmitter), SL-04370 for Radio Receiver

Please reference listed shop drawings: DWG-112485 for Indoor Non-Backlit 2' 0" x 8' 0" Horizontal

Options

Please contact your sales representative for additional information

Indoor Non-Backlit 2' 0" x 8' 0" Horizontal	Ad Panel, Above or Below Display - For BB-2103	1	\$900.00
--	---	----------	-----------------

Leasing Program

If your purchase exceeds \$25,000, you may qualify for our leasing program allowing you more flexibility to spread out the cost of your Daktronics display over of a period up to five (5) years. Benefits of our leasing program include fixed rate financing, non-appropriation clause, no prepayment penalty, and customizable payment schedules. Plus, at the end of the lease, the equipment is yours to keep with no additional balloon payments.

Sample payment options as follows:

\$50,000 in total equipment cost = \$10,700 per year

\$100,000 in total equipment cost = \$21,199 per year

\$250,000 in total equipment cost = \$52,899 per year

Payments based on 5 year/annual payment in advance structure. **Leasing is subject to credit approval and agreed upon documentation with Daktronics lending partner. Contact your Daktronics representative for additional options and details.

Exclusions:

- | | |
|--|------------------------------------|
| - Electrical Installation | - Physical/Mechanical Installation |
| - Structure | - Foundation |
| - Power | - Hoist |
| - Technical Support/Installation Support | - Engineering Certification |
| - Signal Conduit | - Labor to Pull Signal Cable |
| - Applicable Permits | - Taxes |
| - Electrical Switch Gear or Distribution Equipment | - Front End Equipment |

Unless expressly stated otherwise in this Quote # 809704-1 Rev 0 or the attachments, if Daktronics performs installation of the Equipment, the price quoted does not include the following services pertaining to physical installations: digging of footings (including dirt removal), any materials fabrication, installation of steel cages, rebar, or bolt attachments, or pouring and finishing of concrete footings. Those service may be provided for an additional cost beyond the quoted price. Purchaser shall be fully responsible for any and all additional costs plus overhead in the event anything unexpected of any nature whatsoever is found while digging the footings including but are not limited to rock, water, utility lines, pipes or any other unforeseen circumstance. The Purchaser acknowledges and agrees that it is fully responsible for all site conditions.

Prices and charges are subject to change by Daktronics at any time before the final agreement between the parties is effective. Ship Date will be determined after customer purchase order is received or agreement is signed or otherwise effective, shop drawings are approved (if required) and down payment is received (if required).

Installation Responsibilities:

If applicable please reference Attachment A for Installation Responsibilities.

Ad/ID Copy Approval Process

Customer shall provide digital artwork for advertising and identification panels, conforming to Daktronics' graphic file standards, at the time of order. Daktronics will create a proof of provided artwork and require approval of that proof three weeks prior to the initial anticipated ship date. Advertising and identification panels not approved in time, will be shipped without copy in Daktronics' standard finish.

Savanna Johnston
PHONE: 605-891-5643
FAX:
EMAIL: Savanna.Johnston@daktronics.com

Nicole Allen Siewert
PHONE: 605-692-0200
FAX:
EMAIL: Nicole.AllenSiewert@daktronics.com

Terms And Conditions:

The Terms and Conditions which apply to this order available on request.

SL-02374 Standard Warranty and Limitation of Seller's Liability (www.daktronics.com/terms_conditions/SL-02374.pdf)

SL-02375 Standard Terms and Conditions of Sale (www.daktronics.com/terms_conditions/SL-02375.pdf)

SL-07862 Software License Agreement (www.daktronics.com/terms_conditions/SL-07862.pdf)

NOTE:

The pricing may be adjusted for freight and taxes depending on the options selected. Please request order documents to submit your order.



DAKTRONICS BB-2103 PRODUCT SPECIFICATIONS



This indoor single-sided LED basketball scoreboard displays period time to 99:59, HOME and GUEST scores to 199, PERIOD to nine, PLAYER number to 99, player FOUL to nine, team FOULS to 19 and indicates possession and bonus. T.O.L. (time outs left) to nine are optional. Scoreboard can also score volleyball and wrestling. When period time is less than one minute, the scoreboard displays time to 1/10 of a second.

CAPTION OPTIONS	POWER (120 VAC)*	UNCRATED WEIGHT	DIMENSIONS
VINYL ONLY (STANDARD)	210 Watts, 1.8 Amps	180 lb (82 kg)	6'-0" H x 8'-0" W x 6" D (1.83 m x 2.44 m x 152 mm)
VINYL & TNMCS	270 Watts, 2.3 Amps	195 lb (88 kg)	

*Models with 240 VAC power at half the indicated amperage are also offered (International Use Only).

DIGITS & INDICATORS

- Clock and score digits are 13" (330 mm) high. Optional T.O.L. digits are 7" (178 mm) high. All other digits are 10" (254 mm) high. Bonus indicators are 4" (102 mm) high and possession arrows are 3" (76 mm) high.
- Scoreboard features PanaView® LED digit technology.
- Scoreboard comes with choice of LED colors:
 - > **Red/Amber LEDs:** clock, PERIOD, PLAYER/FOUL, optional T.O.L. digits, Bonus indicators and optional TNMCS are amber. Scores and FOULS digits and possession indicators are red.
 - > **White LEDs:** all digits, indicators and optional TNMCS are white.

DISPLAY COLOR

Choose a color from the Daktronics standard paint book (see [SI-02730](#)).

CAPTIONS & STRIPING

- HOME and GUEST captions are 6" (152 mm) high. Optional T.O.L. captions are 3" (76 mm) high. All other captions are 4" (102 mm) high. Optional TNMCS are 6" (152 mm) high.
- Standard captions and border striping are white vinyl. Choose another vinyl color at no additional cost (see [DD2101644](#)).

CONSTRUCTION

Durable, lightweight aluminum Tuff Sport® cabinet withstands high-velocity impact from air-filled sports balls without the need for protective screens.

PRODUCT SAFETY APPROVAL

ETL-listed, tested to CSA standards, and CE-labeled **for indoor use only**

OPERATING TEMPERATURES

- Display: -22° to 122° Fahrenheit (-30° to 50° Celsius)
- Console: 32° to 130° Fahrenheit (0° to 54° Celsius)

WWW.DAKTRONICS.COM E-MAIL: SALES@DAKTRONICS.COM

201 Daktronics Drive, PO Box 5128, Brookings, SD 57006
 Phone: 1-800-325-8766 or 605-692-0200 Fax: 605-697-4746
 DD2481852 022522 Page 1 of 4



DAKTRONICS BB-2103 PRODUCT SPECIFICATIONS

CONTROL CONSOLE

All Sport® 5000
(see [SL-03991](#))

CONTROL OPTIONS

Wireless: 2.4 GHz spread spectrum radio features 64 non-interfering channels and 8 broadcast groups (see [SL-04370](#)). This is a popular upgrade.

Wired: One-pair shielded cable of 22 AWG minimum is required. A cover plate with mounted connector and standard 2" x 4" x 2" (51 mm x 102 mm x 51 mm) outlet box is provided. Connector mates with signal cable from control console.

HORN

A vibrating horn, mounted behind the scoreboard face, sounds automatically when period/timeout clock counts down to zero or manually as controlled by the operator.

SEGMENT TIMER MODE

The segment timer mode is ideal for keeping practices on schedule. The horn at the end of a segment allows coaches and athletes to focus on the practice and to listen for the horn when it is time to change drills (see [SL-04004](#)).

TIME OF DAY MODE

This scoreboard features a Time of Day (TOD) mode that allows it to act as a clock when the control console is unplugged or off. Refer to the scoreboard installation manual for instructions on how to enable the Time of Day mode.

GENERAL INFORMATION

Scoreboard provides scoring capabilities for two teams. 100% solid state electronics are housed in an all aluminum cabinet. Scoreboard arrives at the site fully assembled. Mounting hardware not included. Specifications and pricing are subject to change without notice.

FAN FAVORITE OPTIONS

These are the most commonly requested enhancements:

- Custom vinyl team name caption in place of HOME *or* Two Digital Team Name Message Centers (TNMCs) in place of HOME and GUEST captions (see [SL-04342](#))
- 17" tall x 21" wide (432 mm x 533 mm) logo/sponsor panels in upper corners
- Double bonus indicators

OTHER ACCESSORIES & UPGRADES

The options below are available for additional customization:

- T.O.L. digits with captions
- Volleyball and wrestling captions on changeable panels
- Advantage time option for wrestling mode – PLAYER and FOUL digits reversed (see [SL-03679](#))
- Different sounding 12 VDC horn in place of buzzer
- Protective screen (see [SL-02551](#))
- Suspension installation kit *or* corner mounting kit

COMPLETE YOUR SYSTEM

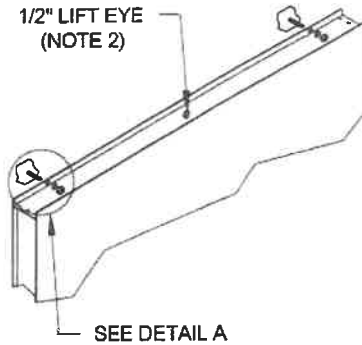
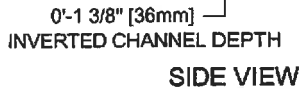
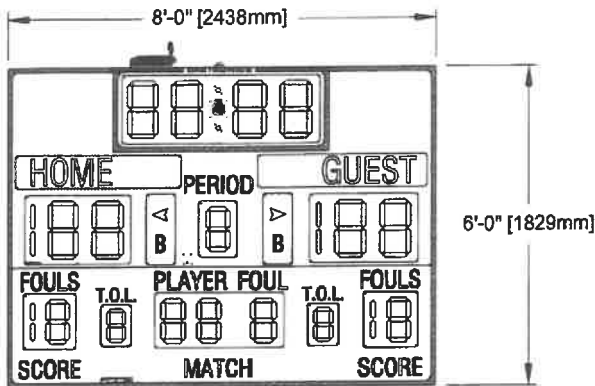
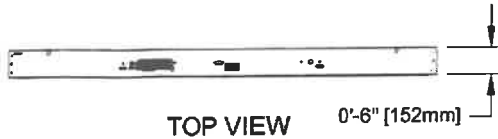
Contact Daktronics about adding any of this equipment to create a unique scoring and display system:

- Backlit advertising/ID panels (see [SL-03664](#))
- Non-backlit advertising/ID panels (see [SL-03917](#))
- Decorative accents
- Statistic displays, shot clocks, and light strips
- Sportsound® Indoor Audio
- Video displays
- Live web streaming of scores and stats

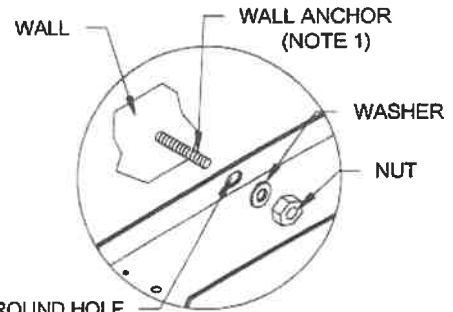
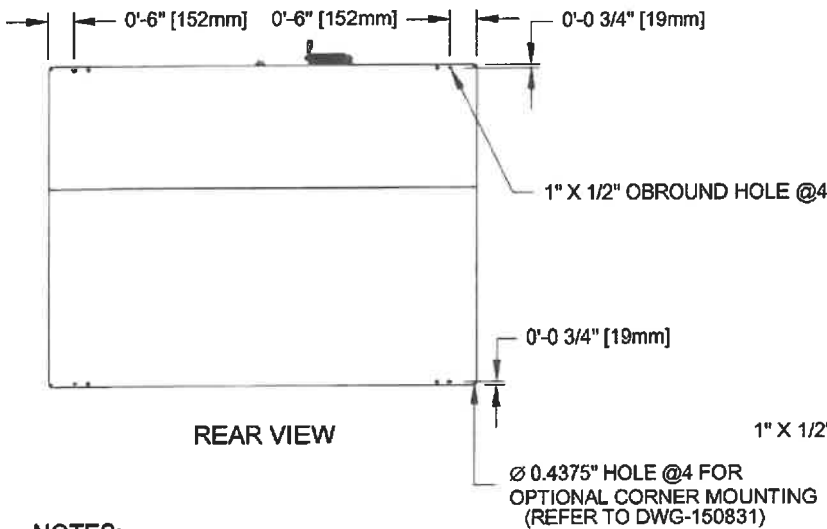
FOR ADDITIONAL INFORMATION

- Mechanical Specifications: DWG-1130405 (attached)
- Component Locations: DWG-1130164 (attached)
- Architectural Specifications: See [SL-04787](#)
- Installation Manual: See [DD2481645](#)
- Service Manual: See [DD2481648](#)

BB-2103 / 3103



WALL MOUNTING DETAIL



DETAIL: A
(SCALE 1=10)

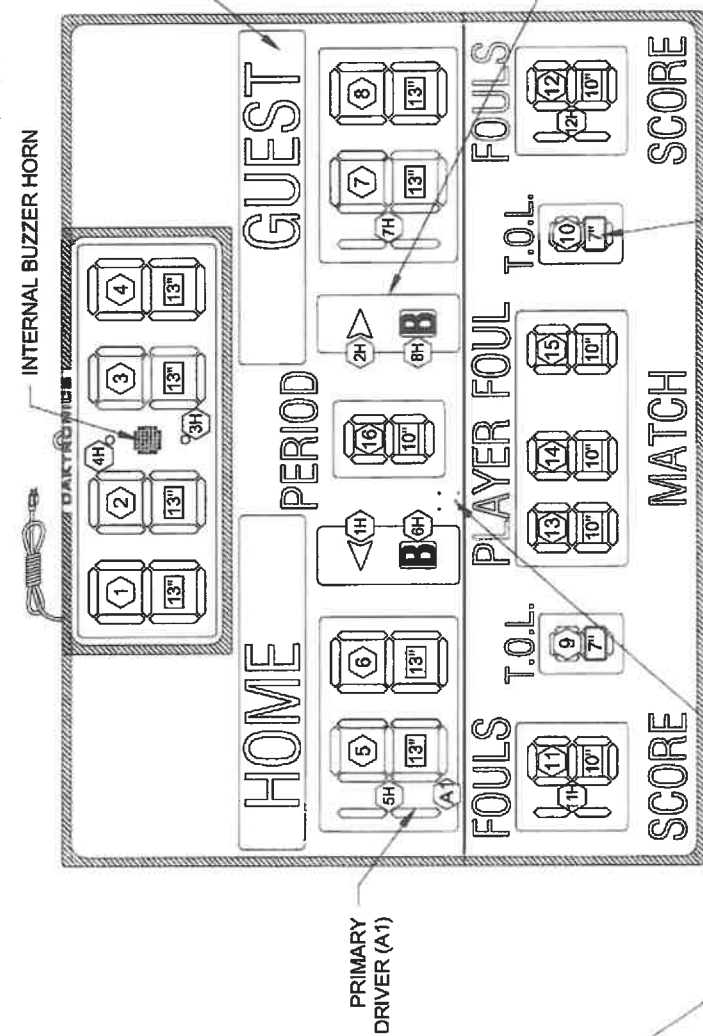
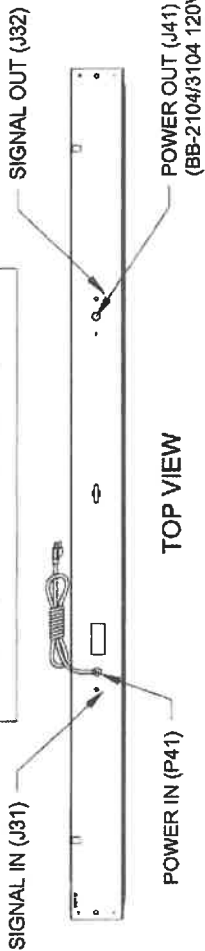
NOTES:

1. USE APPROPRIATE WALL ANCHORS FOR TYPE OF WALL. (NOT PROVIDED BY DAKTRONICS)
2. LIFT EYE IS FOR TEMPORARY USE WHILE LIFTING SCOREBOARD DURING INSTALLATION. DO NOT USE LIFT EYE FOR PERMANENT SUSPENSION. REFER TO DWG-1130959.

WEIGHTS	
SHIPPING WEIGHT	MOUNTING WEIGHT
290 LBS (132 KG)	180 LBS (82 KG)

	DAKTRONICS, INC. BROOKINGS, SD 57006 DO NOT SCALE DRAWING		THE CONCEPTS EXPRESSED AND DETAILS SHOWN ON THIS DRAWING ARE CONFIDENTIAL AND PROPRIETARY. DO NOT REPRODUCE BY ANY MEANS WITHOUT THE EXPRESSED WRITTEN CONSENT OF DAKTRONICS, INC. COPYRIGHT 2013 DAKTRONICS, INC.	
	PROJ: INDOOR SCOREBOARDS TITLE: MECHANICAL SPEC, BB-2103 / 3103			
DESIGN: KDRAGT		DRAWN: AHOLTZ		DATE: 15 MAR 13
SCALE: 1=40				
SHEET	REV	JOB NO:	FUNC-TYPE-SIZE	1130405
00	P1749	E-10-A	1130405	

BB-2103/3103 & BB-2104/3104 FACE



REV 03	DATE: 28 MAY 18	PER CN-8024B; REPLACED LL-2026 LABELS WITH LL-4172161 LABELS.	BY: AGM
REV 02	DATE: 21 DEC 17	PER CN-4754B; UPDATED LOCATIONS HOME/GUEST CAPTIONS	BY: KDD
REV 01	DATE: 02 MAR 15	PER EC-17119; REMOVED DRIVER DETAILS CHANGED MASTER TO PRIMARY	BY: KDB

THIRD ANGLE PROJECTION

PROJECT: INDOOR SCOREBOARDS

TITLE: COMPONENT LOCATION: BB-2103/2104/3103/3104

DATE: 13 MAR 13 DIM UNITS: INCHES [MILLIMETERS]

SCALE: 1=20 DO NOT SCALE DRAWING

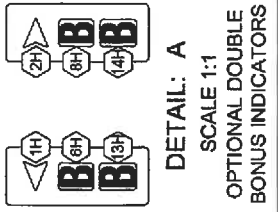
DESIGN: KDRAGT JOB NO. P1749 FUNC.-TYPE.-SIZE E-10-A

DRAWN: KDRAGT

SHEET 03

1130164

- NOTES:
- = DIGIT DESIGNATION IN RELATION TO DRIVER
 - = DIGIT SIZE
 - = SEGMENT DESIGNATION
 - = DRIVER NUMBER



DAKTRONICS BB-2101 PRODUCT SPECIFICATIONS



This indoor single-sided LED basketball scoreboard displays period time to 99:59, HOME and GUEST scores to 199, PERIOD to nine and indicates possession and bonus. Scoreboard can also score volleyball and wrestling. When period time is less than one minute, the scoreboard displays time to 1/10 of a second.

CAPTION OPTIONS	POWER (120 VAC)*	UNCRATED WEIGHT	DIMENSIONS
VINYL ONLY (STANDARD)	150 Watts, 1.3 Amps	120 lb (54 kg)	4'-0" H x 8'-0" W x 6" D (1.22 m x 2.44 m x 152 mm)
VINYL & TNMCS	210 Watts, 1.8 Amps	135 lb (61 kg)	

*Models with 240 VAC power at half the indicated amperage are also offered (International Use Only).

DIGITS & INDICATORS

- Period digit is 10" (254 mm) high. All other digits are 13" (330 mm) high. Bonus indicators are 4" (102 mm) high and possession arrows are 3" (76 mm) high.
- Scoreboard features PanaView® LED digit technology.
- Scoreboard comes with choice of LED colors:
 - > **Red/Amber LEDs:** clock digits, PERIOD digit, Bonus indicators and optional TNMCs are amber. Score digits and possession indicators are red.
 - > **White LEDs:** all digits, indicators and optional TNMCs are white.

CAPTIONS & STRIPING

- HOME and GUEST captions are 6" (152 mm) high. PERIOD caption is 4" (102 mm) high. Optional TNMCs are 6" (152 mm) high.
- Standard captions and border striping are white vinyl. Choose another vinyl color at no additional cost (see DD2101644).

DISPLAY COLOR

Choose a color from the Daktronics standard paint book (see SI-02730).

CONSTRUCTION

Durable, lightweight aluminum Tuff Sport® cabinet withstands high-velocity impact from air-filled sports balls without the need for protective screens.

PRODUCT SAFETY APPROVAL

ETL-listed, tested to CSA standards, and CE-labeled for indoor use only

OPERATING TEMPERATURES

- Display: -22° to 122° Fahrenheit (-30° to 50° Celsius)
- Console: 32° to 130° Fahrenheit (0° to 54° Celsius)

WWW.DAKTRONICS.COM E-MAIL: SALES@DAKTRONICS.COM

201 Daktronics Drive, PO Box 5128, Brookings, SD 57006
Phone: 1-800-325-8766 or 605-692-0200 Fax: 605-697-4746
DD2481847 022322 Page 1 of 4



DAKTRONICS BB-2101 PRODUCT SPECIFICATIONS

CONTROL CONSOLES	CONTROL OPTIONS
All Sport® 1600 (see SL-04352) or All Sport 5000 (see SL-03991)	Wireless: 2.4 GHz spread spectrum radio features 64 non-interfering channels and 8 broadcast groups (see SL-04370). This is a popular upgrade. <hr/> Wired: One-pair shielded cable of 22 AWG minimum is required. A cover plate with mounted connector and standard 2" x 4" x 2" (51 mm x 102 mm x 51 mm) outlet box is provided. Connector mates with signal cable from control console.
RC-200 (see DD3715714)	Wireless handheld controller features 2.4 GHz spread spectrum radio with 64 non-interfering channels and 8-10 hours of operation via internal rechargeable battery.
DAK Score & MX-1 (see DD3888368)	CUSTOMER-SUPPLIED mobile device or tablet with DAK Score app installed communicates via Bluetooth® wireless technology to an MX-1 Interface Box that controls the scoreboard through 2.4 GHz radio or wired connection.

Note: All Sport 5000 or DAK Score required for Team Name Message Centers. All Sport 5000 required when paired with statistics displays.

HORN

A vibrating horn, mounted behind the scoreboard face, sounds automatically when period/timeout clock counts down to zero or manually as controlled by the operator.

SEGMENT TIMER MODE

The segment timer mode is ideal for keeping practices on schedule. The horn at the end of a segment allows coaches and athletes to focus on the practice and to listen for the horn when it is time to change drills (see [SL-04004](#)).

TIME OF DAY MODE

This scoreboard features a Time of Day (TOD) mode that allows it to act as a clock when the control console is unplugged or off. Refer to the scoreboard installation manual for instructions on how to enable the Time of Day mode.

GENERAL INFORMATION

Scoreboard provides scoring capabilities for two teams. 100% solid state electronics are housed in an all aluminum cabinet. Scoreboard arrives at the site fully assembled. Mounting hardware not included. Specifications and pricing are subject to change without notice.

FAN FAVORITE OPTIONS

These are the most commonly requested enhancements:

- Custom vinyl team name caption in place of HOME *or* Two Digital Team Name Message Centers (TNMCs) in place of HOME and GUEST captions (see [SL-04342](#))
- 17" tall x 21" wide (432 mm x 533 mm) logo/sponsor panels in upper corners
- Double bonus indicators

OTHER ACCESSORIES & UPGRADES

The options below are available for additional customization:

- Different sounding 12 VDC horn in place of buzzer
- Protective screen (see [SL-02551](#))
- Suspension installation kit *or* corner mounting kit

COMPLETE YOUR SYSTEM

Contact Daktronics about adding any of this equipment to create a unique scoring and display system:

- Backlit advertising/ID panels (see [SL-03664](#))
- Non-backlit advertising/ID panels (see [SL-03917](#))
- Decorative accents
- Statistic displays, shot clocks, and light strips
- Sportsound® Indoor Audio
- Video displays
- Live web streaming of scores and stats

FOR ADDITIONAL INFORMATION

- Mechanical Specifications: [DWG-1130092](#) (attached)
- Component Locations: [DWG-1130102](#) (attached)
- Architectural Specifications: See [SL-04785](#)
- Installation Manual: See [DD2481645](#)
- Service Manual: See [DD2481648](#)

WWW.DAKTRONICS.COM E-MAIL: SALES@DAKTRONICS.COM

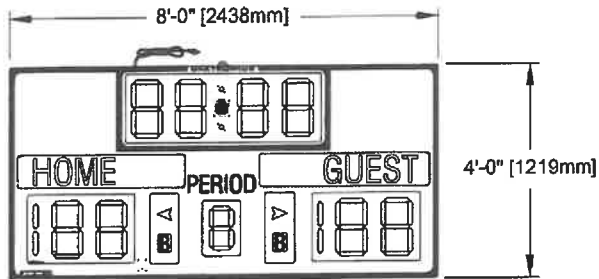
All Sport®, PanaView® and Tuff Sport® are trademarks of Daktronics, Inc.
 DD2481847 022322 Page 2 of 4 Copyright © 2013-2022 Daktronics, Inc.



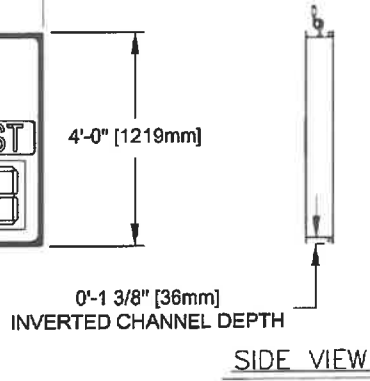
BB-2101/3101



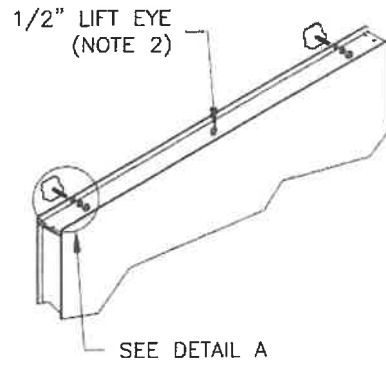
TOP VIEW



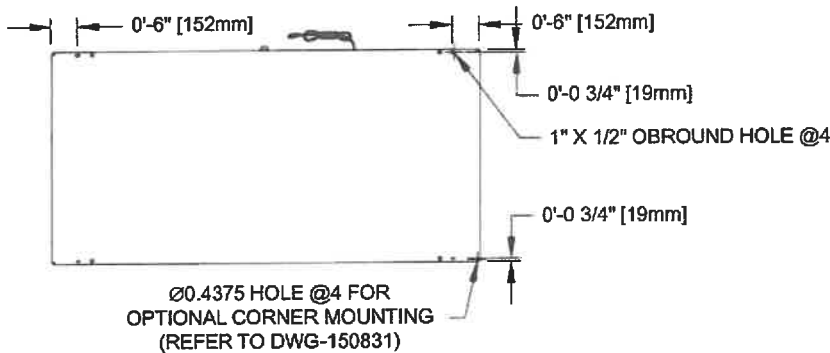
FRONT VIEW



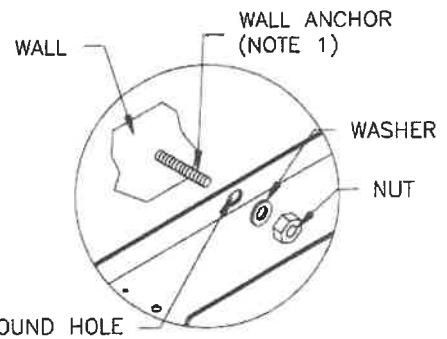
SIDE VIEW



WALL MOUNTING DETAIL



REAR VIEW



DETAIL: A
(SCALE 1=10)

NOTES:

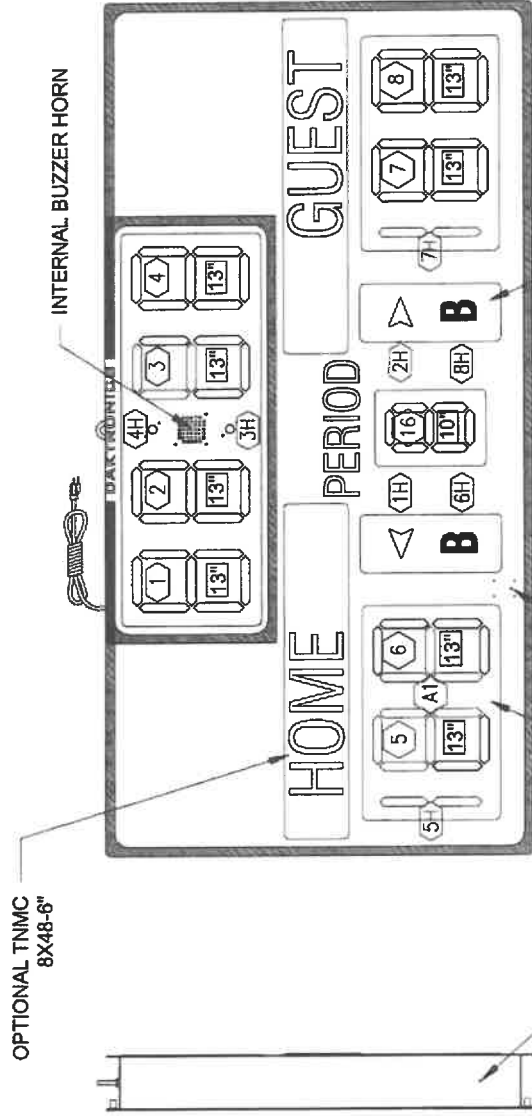
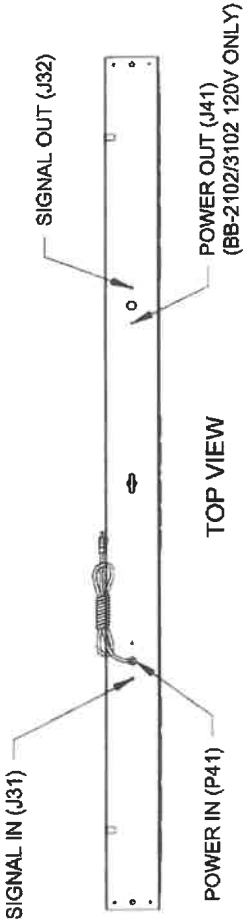
1. USE APPROPRIATE WALL ANCHORS FOR TYPE OF WALL. (NOT PROVIDED BY DAKTRONICS)
2. LIFT EYE IS FOR TEMPORARY USE WHILE LIFTING SCOREBOARD DURING INSTALLATION. DO NOT USE LIFT EYE FOR PERMANENT SUSPENSION. REFER TO DWG-1130959

WEIGHTS	
SHIPPING WEIGHT	MOUNTING WEIGHT
192 LBS (87 KG)	120 LBS (55 KG)

TUFF SPORT , & UNVIEW ARE TRADEMARKS OF DAKTRONICS

	DAKTRONICS, INC. BROOKINGS, SD 57006 DO NOT SCALE DRAWING	THE CONCEPTS EXPRESSED AND DETAILS SHOWN ON THIS DRAWING ARE CONFIDENTIAL AND PROPRIETARY. DO NOT REPRODUCE BY ANY MEANS WITHOUT THE EXPRESSED WRITTEN CONSENT OF DAKTRONICS, INC. COPYRIGHT 2013 DAKTRONICS, INC.		
	PROJ: INDOOR SCOREBOARDS TITLE: MECHANICAL SPEC, BB-2101/3101 DESIGN: DOPPELT DRAWN: MJOHNSO DATE: 13 MAR 13 SCALE: 1=40			
SHEET	REV	JOB NO.	FUNC-TYPE-SIZE	1130092
	00	P 1749	E-10-A	

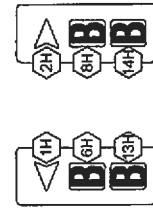
BB-2101/3101 & BB-2102/3102 FACE



SEE DETAIL A FOR MORE OPTIONS

FRONT VIEW

SIDE VIEW



OPTIONAL DOUBLE BONUS INDICATORS

DETAIL: A
SCALE 1:1

NOTES:

- DIGIT DESIGNATION = IN RELATION TO DRIVER
- = DIGIT SIZE
- = SEGMENT DESIGNATION
- = DRIVER NUMBER

REV 03	DATE: 28 MAY 19	BY: AGM
REV 02	DATE: 21 DEC 17	BY: KJD
REV 01	DATE: 02 MAR 15	BY: KOB
PER CN-8024S: REPLACED LL-2626 LABELS WITH LL-41721S1 LABELS. PER CN-4764G: UPDATED LOCATIONS OF HOME/GUEST CAPTIONE PER EC-17119: REMOVED DETAILS, CHANGED MASTER TO PRIMARY.		THIRD ANGLE PROJECTION
THE CONCEPTS EXPRESSED AND DETAILS SHOWN ON THIS DRAWING ARE THE PROPERTY OF DAKTRONICS, INC. NO PART OF ANY MEANS WITHOUT THE EXPRESS WRITTEN CONSENT OF DAKTRONICS, INC. OR ITS WHOLLY OWNED SUBSIDIARIES. COPYRIGHT 2017 DAKTRONICS, INC. (USA)		
PROJECT: INDOOR SCOREBOARDS TITLE: COMPONENT LOCATION: BB-2101/3101/2102/3102 DATE: 13 MAR 13 DIM UNITS: INCHES (MILLIMETERS) SCALE: 1=20 DO NOT SCALE DRAWING DESIGN: DOPPELT JOB NO. P1749 DRAWN: MJOHNSO FUNC - TYPE - SIZE E - 10 - A		
REV 03 SHEET 03		1130102

DAKTRONICS BB-2114 PRODUCT SPECIFICATIONS



This indoor single-sided LED basketball shot clock timer displays shot times up to a value of 99 seconds. It can also count down from any preset time between 0 and 99 seconds. A hand-held start/stop/reset switch is included with purchase.

POWER (120 VAC)*	UNCRATED WEIGHT	DIMENSIONS
30 Watts, 0.3 Amp	15 lb (7 kg)	1'-7" H x 1'-10" W x 6" D (483 mm x 559 mm x 152 mm)

**Models with 240 VAC power at half the indicated amperage are also offered (International Use Only).*

DIGITS

- All digits are 13" (330 mm) high.
- All digits are red.
- Timer features PanaView® LED digit technology.

DISPLAY COLOR

Semi-gloss black

CONSTRUCTION

Durable, lightweight aluminum Tuff Sport® cabinet withstands high-velocity impact from air-filled sports balls without the need for protective screens.

PRODUCT SAFETY APPROVAL

ETL-listed, tested to CSA standards, and CE-labeled **for indoor use only**

OPERATING TEMPERATURES

- Display: -22° to 122° Fahrenheit (-30° to 50° Celsius)
- Console: 32° to 130° Fahrenheit (0° to 54° Celsius)

WWW.DAKTRONICS.COM E-MAIL: SALES@DAKTRONICS.COM

201 Daktronics Drive, PO Box 5128, Brookings, SD 57006
Phone: 1-800-325-8766 or 605-692-0200 Fax: 605-697-4746
DD2481873 060322 Page 1 of 4



DAKTRONICS BB-2114 PRODUCT SPECIFICATIONS

CONTROL CONSOLE*	CONTROL OPTIONS
All Sport 5000 (see SL-03991)	Wireless: 2.4 GHz spread spectrum radio features 64 non-interfering channels and 8 broadcast groups (see SL-04370). This is a popular upgrade.
OR	
All Sport® 1600** (see SL-04352)	Wired: One-pair shielded cable of 22 AWG minimum is required. A cover plate with mounted connector and standard 2" x 4" x 2" (51 mm x 102 mm x 51 mm) outlet box is provided. Connector mates with signal cable from control console.

* Controller not included with standard purchase; timer(s) are typically controlled by the same console controlling the basketball scoreboard(s).

** Controller is for standalone timing operation only; email SALES@DAKTRONICS.COM for more information.

OPTIONAL LIGHT STRIP OUTPUTS

Timer is offered with optional outputs to control Daktronics backboard LED light strips.

HORN

An internal horn sounds automatically when shot clock counts down to zero with a sound that is distinctly different from that of the game-clock horn.

GENERAL INFORMATION

Timer provides shot clock timing capabilities. 100% solid state electronics are housed in an all aluminum cabinet. Timer arrives at the site fully assembled. Mounting hardware not included. Specifications and pricing are subject to change without notice.

OPTIONS & ACCESSORIES

- Red end-of-period backboard light strip control (see [DD4703928](#))
- Amber shot clock violation backboard light strip control
- Switched 120 VAC outlet
- Protective screen (see [SL-02551](#))
- Carrying handle
- Visual horn indicator (see [SL-05489](#))

FOR ADDITIONAL INFORMATION

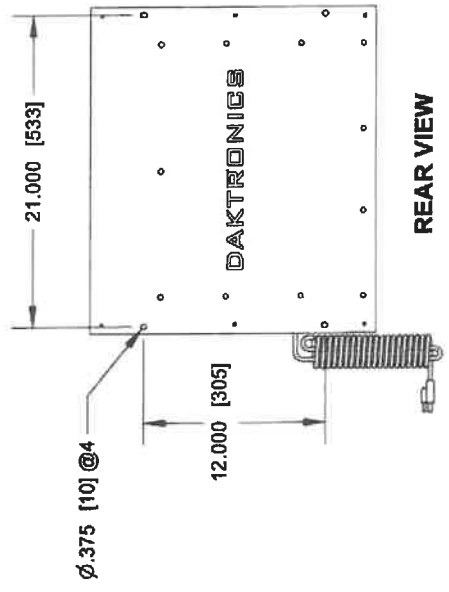
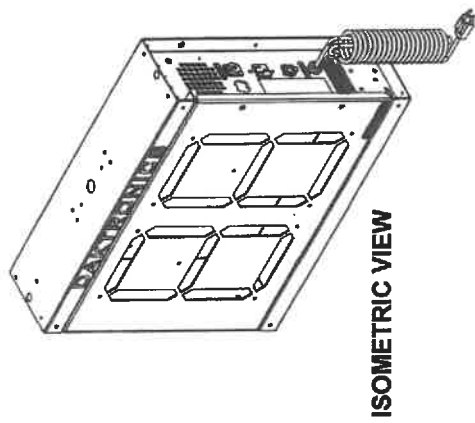
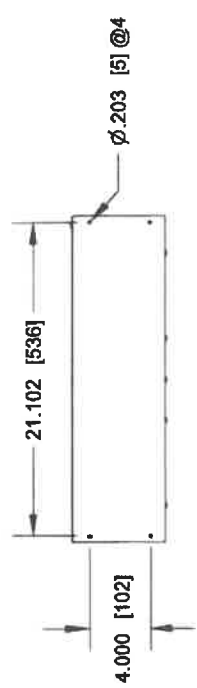
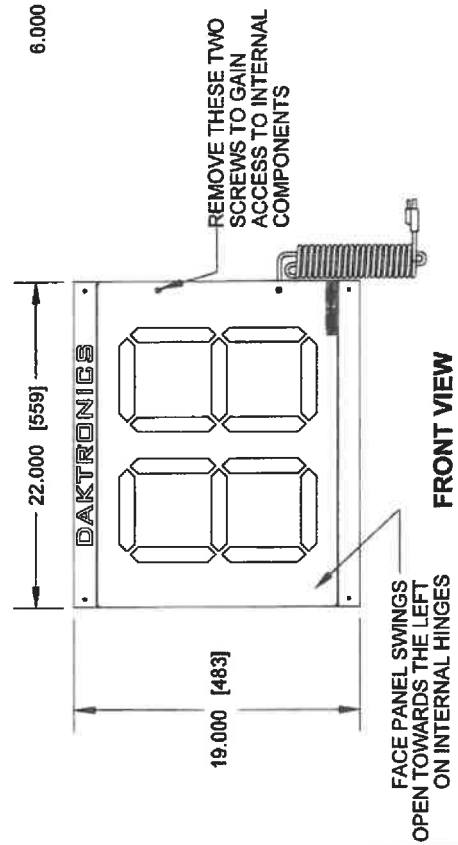
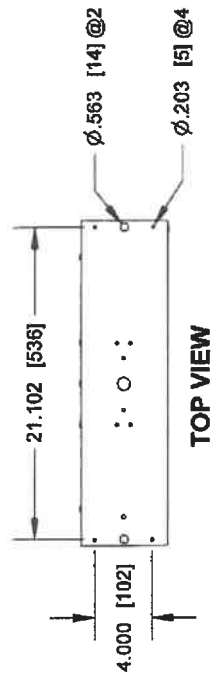
- Mechanical Specifications: DWG-5052521 (attached)
- Component Locations: DWG-5052522 (attached)
- Architectural Specifications: See [SL-04794](#)
- Installation Manual: See [DD2481645](#)
- Service Manual: See [DD2481648](#)

BB-2114

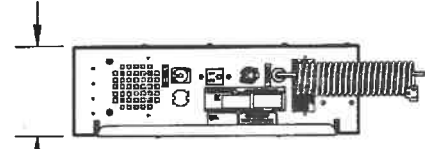
NOTES:

1. MOUNTING HARDWARE IS NOT PROVIDED.
2. SEE DRAWING A-91230 FOR SUGGESTIONS ON MOUNTING TO CEILING-SUSPENDED BACKSTOPS.
3. FOR PORTABLE BACKSTOPS, CONTACT THE BACKSTOP MANUFACTURER FOR MOUNTING HARDWARE.

WEIGHTS	
SHIPPING WEIGHT	MOUNTING WEIGHT
20 LBS (10 KG)	15 LBS (7 KG)



SIDE VIEW

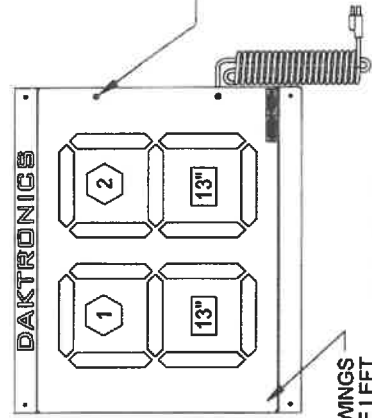


REV:	DATE:	DESCRIPTION:	BY:
<p>THE CONCEPTS EXPRESSED AND DETAILS SHOWN ON THIS DRAWING ARE CONFIDENTIAL AND PROPRIETARY. DO NOT REPRODUCE BY ANY MEANS WITHOUT THE EXPRESS WRITTEN CONSENT OF DAKTRONICS, INC. OR ITS DIRECT SUBSIDIARIES. COPYRIGHT © 2022 DAKTRONICS, INC. (USA)</p>			
<p>DAKTRONICS PROJECT: TUFF SPORT® SCOREBOARDS</p>			
<p>TITLE: MECHANICAL SPEC; BB-2114 W/O VHI</p>			
DATE: 11-MAY-22	DIM UNITS: INCHES [MILLIMETERS]	THIRD ANGLE PROJECTION	REV SHEET
SCALE: 1/12	DO NOT SCALE DRAWING		00
DESIGN: NWMINTER	JOB NO.	FUNC. - TYPE - SIZE	5052521
DRAWN: NWMINTER	P1237	E - 07 - A	

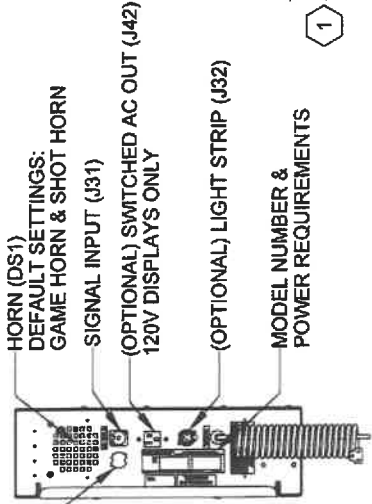
TUFF SPORT® IS A COPYRIGHT OF DAKTRONICS

DIGIT, SIGNAL AND POWER SPECIFICATIONS:

BB-2114



FRONT VIEW
FACE PANEL SWINGS OPEN TOWARDS THE LEFT ON INTERNAL HINGES

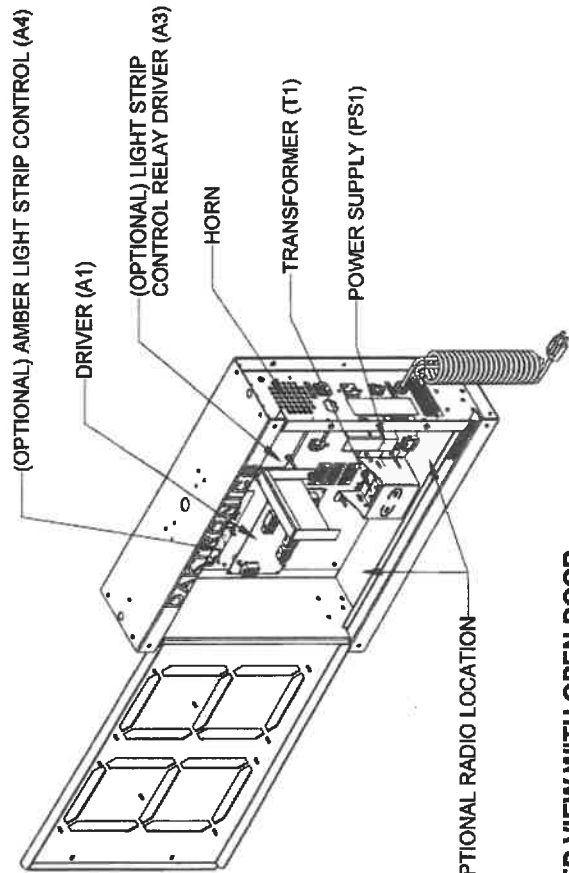


SIDE VIEW

LEGEND:

- = DIGIT DESIGNATION IN RELATION TO DRIVER
- = DIGIT SIZE
- = DRIVER NUMBER

COMPONENT LOCATIONS:



ROTATED VIEW WITH OPEN DOOR

NOTES:

1. A3 BOARD CAPABILITIES ARE GAME HORN, SHOT HORN, CLK = STOP, CLK = 0. J32/J42 (TOGETHER), & HORN CAN BE SET TO DIFFERENT VALUES IF REQUIRED.
2. TO CHANGE DEFAULT FUNCTION OF HORN, ENABLE OTHER SEGMENTS, OR CHANGE LIGHT STRIP OPTIONS, REFER TO DWG A-179151. TUFF SPORT® IS A COPYRIGHT OF DAKTRONICS

REV:	DATE:	DESCRIPTION:	BY:
<p>THE CONCEPTS EXPRESSED AND DETAILS SHOWN ON THIS DRAWING ARE CONFIDENTIAL AND PROPRIETARY. DO NOT REPRODUCE BY ANY MEANS WITHOUT THE EXPRESS WRITTEN PERMISSION OF DAKTRONICS. COPYRIGHT 2022 DAKTRONICS, INC. (USA)</p>			
PROJECT: TUFF SPORT® SCOREBOARDS			
TITLE: COMPONENT LOCATION BB-2114 W/O VHI			
DATE:	11-MAY-22	DIM UNITS:	INCHES (MILLIMETERS)
SCALE:	1/12	DO NOT SCALE DRAWING	
DESIGN:	NWINTER	JOB NO.:	P 1237
DRAWN:	NWINTER	FUNC - TYPE - SIZE:	E - 07 - A
REV	00	SHEET	5052522