

2019 Building Envelope Repairs

Pre-bid Meeting: 12/3/18

Bids Due: 12/12/18



THE INFORMATION CONTAINED HEREIN IS OF A PROPRIETARY NATURE AND IS SUBMITTED IN CONFIDENCE FOR USE BY THE CLIENTS APPROVED BY THE ORIGINATOR OF THIS DOCUMENT - ONLY THE USE OF THESE DOCUMENTS FOR ANY OTHER PROJECTS, PURPOSE, LOCATION, PUBLICATION, REPRODUCTION OR DISTRIBUTION IN WHOLE OR PART, BY ANY INDIVIDUAL OR ORGANIZATION WITHOUT WRITTEN PERMISSION THE ORIGINATING COMPANY IS PROHIBITED. THE INFORMATION HEREIN REMAINS THE PROPERTY AND ITS USE OR DISCLOSURE TO OTHERS IS PROHIBITED FOR ANY USE NOT AUTHORIZED BY THE ORIGINATING COMPANY.

APPROVED FOR BIDDING

Mahtomedi Public Schools
1520 Mahtomedi Avenue
Mahtomedi, MN 55115

SHEET TITLE:

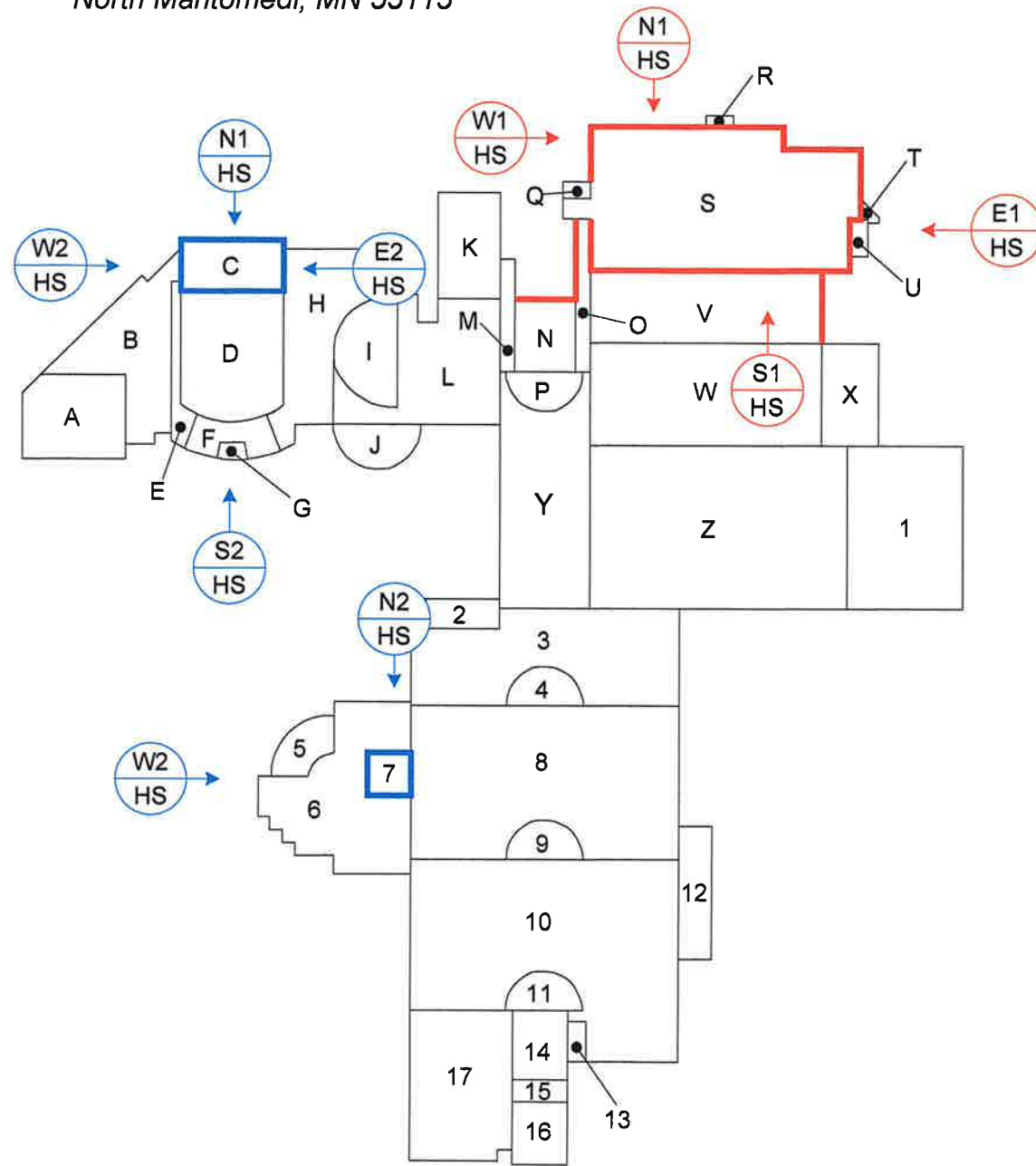
Cover Page

SHEET NO.

A1

Mahtomedi High School

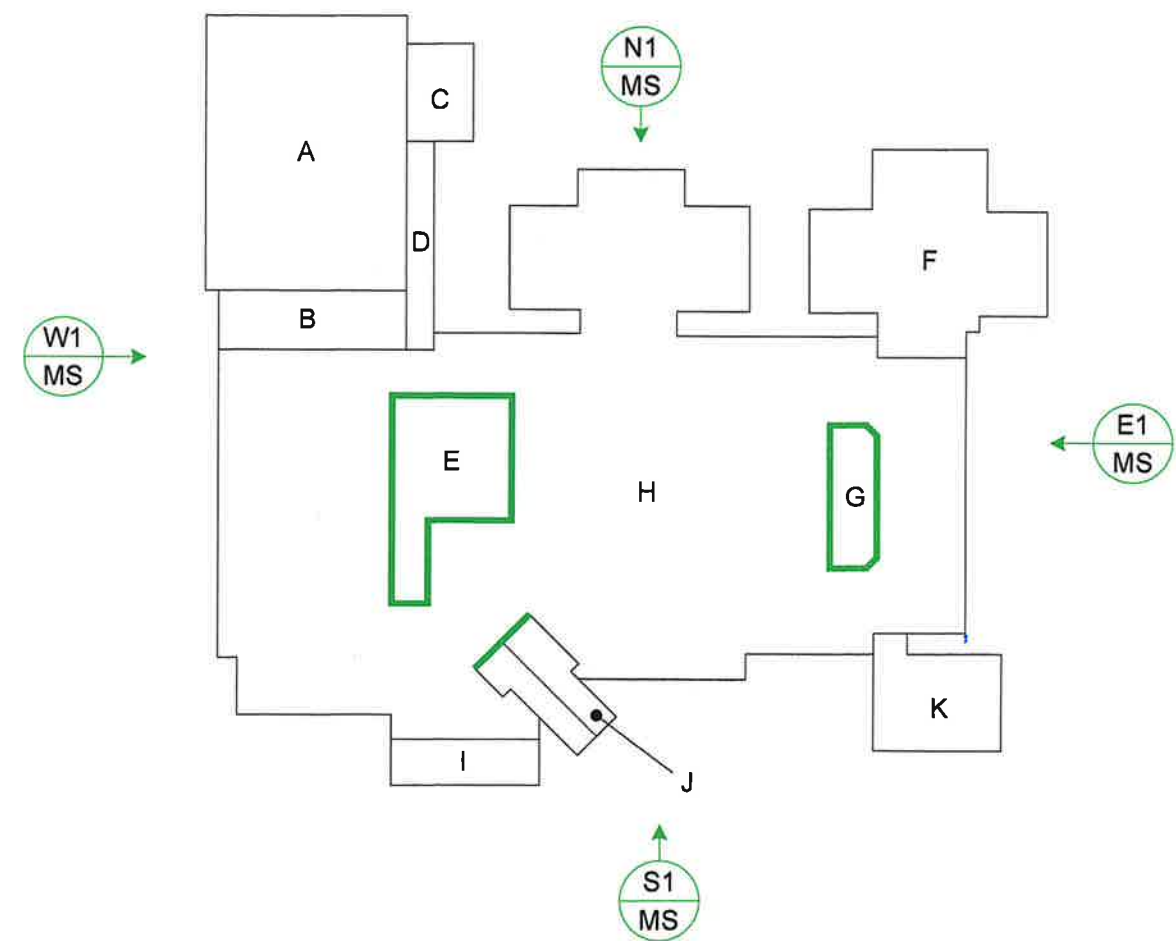
8000 75th Street
North Mahtomedi, MN 55115



- Line Item #1
- Line Item #2
- Line Item #3

Mahtomedi Middle School

8100 75th Street
North Mahtomedi, MN 55115



INDEX OF DRAWINGS

- A1 – Cover Page
- A2 – Elevations – High School
- A3 – Elevations – Middle School
- M1 – Panel Details
- M2 – Window Details