

## **Budgetary Estimate for IP-Based Mass Notifications Platform**

QUOTE #347022738 V5

### **PREPARED FOR**

New Buffalo Area Schools

### **PREPARED BY**

Ron Spencer

June 02, 2026

---

# Innovative Integration

With over 40 years of industry experience, Moss is Michigan's leading single-source provider of comprehensive technology solutions.

We use a holistic approach to design, implement, and service fully integrated, custom environments to encourage collaboration, increase productivity, and improve performance. Our growing, seasoned team includes certified engineers, field technicians, CAD designers, and project managers with an administrative team and more than 30 service vehicles, all working to streamline smart systems for each customer. Let Moss guide your team in making technology work.

## Audio Video

Our experienced engineers deliver practical solutions for crisp and confident messaging for solutions that are integrated to work together from the ground up.



## Cabling

With over four decades of experience engineering, connecting, and servicing manufacturer-certified systems, we have the expertise to build a custom and efficient cabling system.



## Fleet Management

Real-time access to video and data from both fixed and on-board systems allows transit agencies to understand and protect their people, operations, assets, and environments.



## Managed Services

Acting as a virtual IT department, we handle all IT needs, including technology updates, remote help, troubleshooting, and system monitoring.



## Paging and Mass Notification

We integrate reliable communications systems to efficiently exchange helpful information for flexible public address and emergency sound applications.



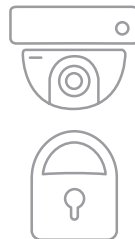
## Unified Communications

Moss offers a complete end-to-end solution, including cabling, networks, voice, audio video, conferencing, and collaboration all under one roof.



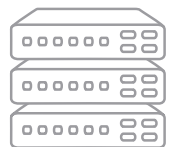
## Security

Moss experts seamlessly integrate high end security solutions within networks to create custom, flexible, secure systems with detailed analytic capabilities. Designs include access control, video and audio surveillance, and visitor management.



## Network

We design and maintain custom, secure wired and wireless networks, including automation, security, and software-defined networking. Our designs reduce costly disruptions and accommodate a wide variety of devices, hardware, and business-critical applications.



Contact Moss at [info@mosstele.com](mailto:info@mosstele.com) today and let us guide your team in making technology work.

# MOSS



## Making Technology Work

561 Century Avenue S.W.  
Grand Rapids, MI 49503

MAIN: 616.451.9933

FAX: 616.451.8187

WEB: mosstele.com

### Introduction

MOSS is excited to present our proposal to New Buffalo Area Schools. As a partner of both Advanced Network Devices and Singlewire InformaCast, we offer expertise in design, white-glove implementation, and ongoing support. With over 40 years of experience, we are leaders in custom-designed network-connected solutions throughout Michigan. We have a dedicated team of certified engineers, including RCDD and CAD designers, field technicians, and project managers, supported by over 40 service vehicles.

### Base Bid

#### IP Endpoint Installation and Cabling Infrastructure

##### *Existing Classrooms*

MOSS will relocate existing Ethernet cables we will provide and install blank covers on existing locations and relocate cables to new locations. Our team will install surface mount raceways as needed for new IP system devices, re-terminate with new keystone punchdown jacks, test existing Ethernet cables, and install them in single port surface mount boxes.

- *Please note that the installation of an IP endpoint assumes that an existing Category 5e, or 6 data drop is available in the classroom, with sufficient extra length to reach the new endpoint location and is currently connected to the patch panel in the rack, not a 110 voice block.*

#### InformaCast System

##### *Configuration*

Our services include planning and design, project kickoff, system discovery, and documentation. Our project manager and engineers will coordinate with the customer and our field technicians throughout the process. During implementation, we will provide and install the Fusion Appliance, configure Fusion Users, IP endpoints, and set up bell ringer schedules per school. We will handle device registration and validation, configure device groups and paging zones (up to six), and set up multicast route points at one location.

- *Note that we have included an InformaCast Fusion hardware appliance, which will provide site survivability in the case WAN connection is lost. However, virtual Fusion server(s) can also be deployed in a VMware ESXi environment, provided the required resources are available. ([InformaCast Fusion Hardware Requirements](#))*

**Licensing**

We have included a 3-year Singlewire InformaCast licensing option for users and IP endpoints in our base bid, 1 and 5-year terms are available based on the district's needs.

**Closing**

Thank you for taking the time to review our proposal. We look forward to providing a dependable and scalable solution for your long-range technology plan. We always welcome discussing our solutions in more detail, so please feel free to call me on my direct line at (616) 214-3645 or email me at [joseph.troyer@mosstele.com](mailto:joseph.troyer@mosstele.com) if you have any additional questions.



Joseph Troyer V  
Sales Engineer  
MOSS

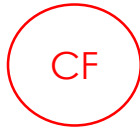
March 5, 2026

# MOSS

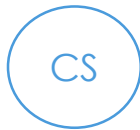
## Making Technology Work

561 Century Avenue S.W.  
Grand Rapids, MI 49503

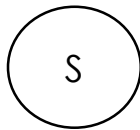
MAIN: 616.451.9933  
FAX: 616.451.8187  
WEB: mosstele.com



- Single Sided IP Clock/Display Speaker Combo w/ Flasher



- Single Sided IP Clock/Display Speaker Combo Kit



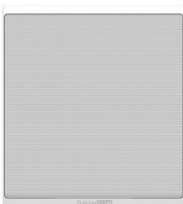
- Drop Ceiling IP Speaker



- IP Console Station with Gooseneck Mic and Headset



- Dual-Sided IP Clock/Display w/Strobe



- Indoor Wall Mount IP Speaker




-  - Outdoor IP Horn Speaker



-  - Outdoor IP Wall Speaker



-  Strobe Outdoor - Strobe Outdoor - Algo 8138 IP Color Visual Alerter

**Budgetary Estimate for IP-Based Mass Notifications Platform**

**Quote #347022738 v5**

**Prepared For:**  
**New Buffalo Area Schools**

Pano Arvanitis

**P:** (269) 469-6000  
**E:** parvanitis@nbas.org

**Prepared by:**

**MOSS**  
 Ron Spencer  
 561 Century Ave SW  
 Grand Rapids, MI 49503

**P:** (616) 726-7035  
**E:** ron.spencer@mosstele.com

**Date Issued:**

**May 26, 2026**

**Expires:**

**Jun 30, 2026**

**ERate SPIN #:**

**Special Contract Ref. #:**

N/A

Middle School/High School				
Part #	Description	Price	Qty	Ext. Price
	IP Endpoints			
<b>IP-2C</b>	Dual-Sided Clock/Speaker/Flasher Combo	<b>\$1,738.36</b>	<b>14</b>	<b>\$24,337.04</b>
IP-DDS	Atlas IED Dual Sided Hallway Clock		14	
1_PagingLabor	Programming and Installation of a Large Space, Hallway or Exterior Digital Network Clocks, Strobes and Speakers		14	
<b>IP-CC</b>	IP Console Station with Gooseneck Mic and Headset	<b>\$1,883.63</b>	<b>3</b>	<b>\$5,650.89</b>
IP-CONSOLE-GH	Atlas IED PoE IP Console with Gooseneck Mic and Handset		3	
1_PagingLabor	Programming and Installation of a Standard Digital Network Clocks, Strobes, and Speakers		3	
<b>IP-CF</b>	Clock/Speaker/Flasher Combo	<b>\$1,456.14</b>	<b>30</b>	<b>\$43,684.20</b>
IP-SDMF	PoE+ Indoor Wall Mount IP Speaker with LCD Display, LED Flashers, and Talkback Microphone		30	
IP-SEA-SD	Sloped Surface Mount Backbox		30	
1_PagingLabor	Programming and Installation of a Standard Digital Network Clocks, Strobes and Speakers		30	
<b>IP-CS</b>	Classroom Clock/Speaker Combo Device NO Flasher	<b>\$1,281.19</b>	<b>16</b>	<b>\$20,499.04</b>
IP-SDM	Atlas IED PoE+ Indoor Wall Mount IP Speaker with LCD Display and Talkback Microphone		16	
IP-SEA-SD	Sloped Surface Mount Backbox		16	
1_PagingLabor	Programming and Installation of a Standard Digital Network Clocks, Strobes and Speakers		16	
<b>IP-CS-CL</b>	Classroom Clock/Speaker Combo Device NO Flasher with Analog Runs for Lightspeed Systems	<b>\$1,389.255</b>	<b>36</b>	<b>\$50,013.18</b>
IP-SDM	Atlas IED PoE+ Indoor Wall Mount IP Speaker with LCD Display and Talkback Microphone		36	
IP-SEA-SD	Sloped Surface Mount Backbox		36	

Middle School/High School				
Part #	Description	Price	Qty	Ext. Price
6300UE-U1000	Belden 18 AWG, 2-conductor, plenum-rated security and audio cable 1000 ft box		1.8	
1_PagingLabor	Programming and Installation of Classroom Digital Network Clocks Includes new analog cable runs for future integration with Lightspeed 975/T25 classroom audio system		36	
<b>IP-IS</b>	Indoor Wall Mount IP Speaker	<b>\$1,087.33</b>	<b>4</b>	<b>\$4,349.32</b>
IP-SM	Atlas IED - PoE+ Indoor Wall / Ceiling Mount IP Speaker with Talkback Microphone		4	
IP-SEA-SD	Sloped Surface Mount Backbox		4	
1_PagingLabor	Programming and Installation of a Standard Digital Network Clocks, Strobes and Speakers		4	
<b>IP-OS</b>	Outdoor IP Wall Speaker	<b>\$1,374.37</b>	<b>5</b>	<b>\$6,871.85</b>
IP-HVP	Atlas IED PoE+ Vandal and Weather Resistant Wall Mount IP Speaker		5	
IP-SEST-HVP	Atlas IED PoE+ Straight Enclosure for IP-HVP IP Addressable Speaker		5	
1_PagingLabor	Programming and Installation of a Large Space, Hallway or Exterior Digital Network Clocks, Strobes and Speakers		5	
<b>IP - S</b>	Drop Ceiling IP Speaker	<b>\$1,090.19</b>	<b>14</b>	<b>\$15,262.66</b>
IP-22SYSM	Atlas IED PoE+ Indoor 2x2 Suspended Ceiling Mount IP Speaker with Talkback Microphone		14	
1_PagingLabor	Programming and Installation of a Standard Digital Network Clocks, Strobes and Speakers		14	
<b>IP-OH</b>	Outdoor IP Horn Speaker	<b>\$1,237.20</b>	<b>8</b>	<b>\$9,897.60</b>
IP-APX	Atlas IED - PoE+ Indoor / Outdoor IP Horn		8	
1_PagingLabor	Programming and Installation of a Large Space, Hallway or Exterior Digital Network Clocks, Strobes and Speakers		8	
<b>IP-OH-GYM</b>	Outdoor IP Horn Speaker for Gymnasiums	<b>\$1,322.70</b>	<b>4</b>	<b>\$5,290.80</b>
IP-APX	Atlas IED - PoE+ Indoor / Outdoor IP Horn		4	
1_PagingLabor	Programming and Installation of IP Horns, Strobes, and Large Displays in Gymnasiums (Includes floor protection for scissor lift)		4	
<b>IP-SO</b>	Algo Indoor/Outdoor IP Strobe	<b>\$936.78</b>	<b>9</b>	<b>\$8,431.02</b>
8138	Algo IP Color Strobe Visual Alerter		9	
1_PagingLabor	Programming and Installation of a Large Space, Hallway or Exterior Digital Network Clocks, Strobes and Speakers		9	
<b>IP-SO-GYM</b>	Algo Indoor/Outdoor IP Strobe for Gymnasiums	<b>\$1,022.28</b>	<b>2</b>	<b>\$2,044.56</b>
8138	Algo IP Color Strobe Visual Alerter		2	

Middle School/High School				
Part #	Description	Price	Qty	Ext. Price
1_PagingLabor	Programming and Installation of IP Horns, Strobes, and Large Displays in Gymnasiums (Includes floor protection for scissor lift)		2	
<b>IP-LD</b>	Large 29" IP Display	<b>\$2,614.06</b>	<b>4</b>	<b>\$10,456.24</b>
IPCSHD-L	Advanced Network Devices Large HD IP Display		4	
PD-9601GC/AC-US	Microchip 1-Port, IEEE 802.3bt 90W PoE Midspan		4	
1_PagingLabor	Programming and Installation of IP Horns, Strobes, and Large Displays in Gymnasiums (Includes floor protection for scissor lift)		4	
<i>Note: The IPCSHD-L features a versatile VESA mount system, supporting flexible installation with third-party wall or articulated arm mounts if preferred over the included static option.</i>				
<i>Note: The IPCSHD-L requires 90W of PoE for full functionality, so we've included a midspan PoE injector to meet this requirement.</i>				
<i>Note: Advanced Network Devices IP endpoints include a standard 6-year manufacturer's warranty.</i>				
	Section Subtotal			<b>\$206,788.40</b>
	Structured Cabling			
<b>Relocate - 001</b>	RD - Relocate an Existing Wall Plate Cable for IP Paging Endpoint	<b>\$115.31</b>	<b>49</b>	<b>\$5,650.19</b>
CJ688TGIG	Panduit mini-com Cat 6 International Gray		49	
CBX1WH-A	Panduit Mini-Com 1 Port Surface Box White		49	
CMBWH-W	Panduit Mini-Com Blank Module 1 Port White		49	
566-125-001	Quiktron Value Patch Cable Cat 6 Non-Booted White 1' CMR		49	
566-125-010	Quiktron Value Patch Cord Cat 6 Non-Booted White 10' CMR		49	
1_CableLabor	Cabling Labor - Relocation of a single Category 6 cable in a Standard Suspended Ceiling Environment		49	
CBL-project materials-misc	Misc Mounting Materials		49	
<b>NewCable-001</b>	1S - One New Category 6 Data Cable for Interior Standard Ceiling Height IP Endpoint	<b>\$297.42</b>	<b>47</b>	<b>\$13,978.74</b>
M58280B	Mohawk - 6 LAN Cat 6, 4 Pair, 23 AWG, UTP, Plenum Cable, White		9400	
CJ688TGIG	Panduit mini-com Cat 6 International Gray		94	
CBX1WH-A	Panduit Mini-Com 1 Port Surface Box White		47	
566-125-001	Quiktron Value Patch Cable Cat 6 Non-Booted White 1' CMR		47	

Middle School/High School				
Part #	Description	Price	Qty	Ext. Price
566-125-010	Quiktron Value Patch Cable Cat 6 Non-Booted White 10' CMR		47	
CAT12	Caddy J-Hook Small Steel 10 Cat 6 Cables		470	
BC	Caddy Beam Clamp Spring Steel		470	
1_CableLabor	Cabling Labor - Installation of a New Category 6 Indoor Standard Height Communications Cable		47	
CBL-project materials-misc	Project Materials - Fire Stop and Mounting Materials		47	
<b>NewCable-002</b>	<b>1R - One New Category 6 Data Cable for Interior w/ 15' of Raceway for an IP Endpoint</b>	<b>\$423.07</b>	<b>29</b>	<b>\$12,269.03</b>
M58280B	Mohawk - 6 LAN Cat 6, 4 Pair, 23 AWG, UTP, Plenum Cable, White		5800	
CJ688TGIG	Panduit mini-com Cat 6 International Gray		58	
CBX1WH-A	Panduit Mini-Com 1 Port Surface Box White		29	
566-125-001	Quiktron Value Patch Cable Cat 6 Non-Booted White 1' CMR		29	
566-125-010	Quiktron Value Patch Cable Cat 6 Non-Booted White 10' CMR		29	
V700	Legrand Wiremold Steel Surface Raceway 10ft Ivory, per Foot		435	
V5748	Wiremold Switch & Receptacle 1 Gang box Ivory		29	
CAT12	Caddy J-Hook Small Steel 10 Cat 6 Cables		290	
BC	Caddy Beam Clamp Spring Steel		290	
1_CableLabor	Cabling Labor - Installation of a New Category 6 Indoor Standard Height Communications Cable with Raceway		29	
CBL-project materials-misc	Project Materials - Fire Stop and Mounting Materials		29	
<b>NewCable-003</b>	<b>2E - Two New Category 6 Data Cable for Exterior Standard Ceiling Height IP Endpoint</b>	<b>\$526.04</b>	<b>9</b>	<b>\$4,734.36</b>
M58280B	Mohawk M58280B 6 LAN Cat 6, 4 Pair, 23 AWG, UTP, Plenum Cable, White		3600	
CJ688TGIG	Panduit - CJ688TGIG - Mini-Com TX6 PLUS TG Style UTP Jack Module, International Gray		36	
CBX2WH-AY	Panduit - CBX2WH-AY - Mini-Com Surface Mount Box, 2 Port, White		9	
566-125-001	Quiktron Value Patch Cable Cat 6 Non-Booted White 1' CMR		18	
540-135-010OSP	Value Series, Cat 6 Copper Patch Cable, RJ-45, 10 ft., OSP		18	
CAT12	Caddy J-Hook Small Steel 10 Cat 6 Cables		90	
BC	Caddy Beam Clamp Spring Steel		90	

Middle School/High School				
Part #	Description	Price	Qty	Ext. Price
1_CableLabor	Cabling Labor - Installation of a New Category 6 Dual Exterior Standard Height Communications Cable		9	
CBL-project materials-misc	Project Materials - Fire Stop and Mounting Materials		9	
<b>NewCable-004</b>	2S - Two New Category 6 Data Cable for Interior High Ceiling Height IP Endpoint	<b>\$535.04</b>	<b>3</b>	<b>\$1,605.12</b>
M58280B	Mohawk M58280B 6 LAN Cat 6, 4 Pair, 23 AWG, UTP, Plenum Cable, White		1200	
CJ688TGIG	Panduit - CJ688TGIG - Mini-Com TX6 PLUS TG Style UTP Jack Module, International Gray		12	
CBX2WH-AY	Panduit - CBX2WH-AY - Mini-Com Surface Mount Box, 2 Port, White		3	
566-125-001	Quiktron Value Patch Cable Cat 6 Non-Booted White 1' CMR		6	
566-125-010	Quiktron Value Patch Cord Cat 6 Non-Booted White 10' CMR		6	
CAT12	Caddy J-Hook Small Steel 10 Cat 6 Cables		30	
BC	Caddy Beam Clamp Spring Steel		30	
1_CableLabor	Cabling Labor - Installation of a New Category 6 Dual Interior High Ceiling Height Communications Cable		3	
CBL-project materials-misc	Project Materials - Fire Stop and Mounting Materials		3	
	Patch Panels (Approximately 20 new drops per network closet)			
CPP24FMWBLY	Panduit mini-com 24 Port modular patch panel black	\$55.06	5	\$275.30
	Section Subtotal			<b>\$38,512.74</b>
<i>Note: Installation labor is based on having access to locations using a standard "A" frame 6' or 12' ladder. If a lift is required for high ceiling or specialized environments such as gymnasiums, additional lift rental cost may be necessary.</i>			Subtotal:	<b>\$245,301.14</b>

Elementary School				
Part #	Description	Price	Qty	Ext. Price
	IP Endpoints			
<b>IP-2C</b>	Dual-Sided Clock/Speaker/Flasher Combo	<b>\$1,738.36</b>	<b>6</b>	<b>\$10,430.16</b>
IP-DDS	Atlas IED Dual Sided Hallway Clock		6	
1_PagingLabor	Programming and Installation of a Large Space, Hallway or Exterior Digital Network Clocks, Strobes and Speakers		6	
<b>IP-CC</b>	IP Console Station with Gooseneck Mic and Headset	<b>\$1,883.63</b>	<b>2</b>	<b>\$3,767.26</b>
IP-CONSOLE-GH	Atlas IED PoE IP Console with Gooseneck Mic and Handset		2	
1_PagingLabor	Programming and Installation of a Standard Digital Network Clocks, Strobes, and Speakers		2	
<b>IP-CF</b>	Clock/Speaker/Flasher Combo	<b>\$1,456.14</b>	<b>13</b>	<b>\$18,929.82</b>

Elementary School				
Part #	Description	Price	Qty	Ext. Price
IP-SDMF	PoE+ Indoor Wall Mount IP Speaker with LCD Display, LED Flashers, and Talkback Microphone		13	
IP-SEA-SD	Sloped Surface Mount Backbox		13	
1_PagingLabor	Programming and Installation of a Standard Digital Network Clocks, Strobes and Speakers		13	
<b>IP-CS</b>	Classroom Clock/Speaker Combo Device NO Flasher	<b>\$1,281.19</b>	<b>9</b>	<b>\$11,530.71</b>
IP-SDM	Atlas IED PoE+ Indoor Wall Mount IP Speaker with LCD Display and Talkback Microphone		9	
IP-SEA-SD	Sloped Surface Mount Backbox		9	
1_PagingLabor	Programming and Installation of a Standard Digital Network Clocks, Strobes and Speakers		9	
<b>IP-CS-CL</b>	Classroom Clock/Speaker Combo Device NO Flasher with Analog Runs for Lightspeed Systems	<b>\$1,389.255</b>	<b>26</b>	<b>\$36,120.63</b>
IP-SDM	Atlas IED PoE+ Indoor Wall Mount IP Speaker with LCD Display and Talkback Microphone		26	
IP-SEA-SD	Sloped Surface Mount Backbox		26	
6300UE-U1000	Belden 18 AWG, 2-conductor, plenum-rated security and audio cable 1000 ft box		1.3	
1_PagingLabor	Programming and Installation of Classroom Digital Network Clocks Includes new analog cable runs for future integration with Lightspeed 975/T25 classroom audio system		26	
<b>IP - S</b>	Drop Ceiling IP Speaker	<b>\$1,090.19</b>	<b>8</b>	<b>\$8,721.52</b>
IP-22SYSM	Atlas IED PoE+ Indoor 2x2 Suspended Ceiling Mount IP Speaker with Talkback Microphone		8	
1_PagingLabor	Programming and Installation of a Standard Digital Network Clocks, Strobes and Speakers		8	
<b>IP-OH</b>	Outdoor IP Horn Speaker	<b>\$1,237.20</b>	<b>7</b>	<b>\$8,660.40</b>
IP-APX	Atlas IED - PoE+ Indoor / Outdoor IP Horn		7	
1_PagingLabor	Programming and Installation of a Large Space, Hallway or Exterior Digital Network Clocks, Strobes and Speakers		7	
<b>IP-OH-GYM</b>	Outdoor IP Horn Speaker for Gymnasiums	<b>\$1,322.70</b>	<b>2</b>	<b>\$2,645.40</b>
IP-APX	Atlas IED - PoE+ Indoor / Outdoor IP Horn		2	
1_PagingLabor	Programming and Installation of IP Horns, Strobes, and Large Displays in Gymnasiums (Includes floor protection for scissor lift)		2	
<b>IP-SO</b>	Algo Indoor/Outdoor IP Strobe	<b>\$936.78</b>	<b>7</b>	<b>\$6,557.46</b>
8138	Algo IP Color Strobe Visual Alerter		7	
1_PagingLabor	Programming and Installation of a Large Space, Hallway or Exterior Digital Network Clocks, Strobes and Speakers		7	

Note: The IPCSHD-L features a versatile VESA mount system, supporting flexible installation with third-party wall or articulated arm

Elementary School				
Part #	Description	Price	Qty	Ext. Price
<i>mounts if preferred over the included static option.</i>				
<i>Note: The IPCSHD-L requires 90W of PoE for full functionality, so we've included a midspan PoE injector to meet this requirement.</i>				
<i>Note: Advanced Network Devices IP endpoints include a standard 6-year manufacturer's warranty.</i>				
Section Subtotal				<b>\$107,363.36</b>
Structured Cabling				
<b>Relocate - 001</b>	RD - Relocate an Existing Wall Plate Cable for IP Paging Endpoint	<b>\$115.31</b>	<b>37</b>	<b>\$4,266.47</b>
CJ688TGIG	Panduit mini-com Cat 6 International Gray		37	
CBX1WH-A	Panduit Mini-Com 1 Port Surface Box White		37	
CMBWH-W	Panduit Mini-Com Blank Module 1 Port White		37	
566-125-001	Quiktron Value Patch Cable Cat 6 Non-Booted White 1' CMR		37	
566-125-010	Quiktron Value Patch Cord Cat 6 Non-Booted White 10' CMR		37	
1_CableLabor	Cabling Labor - Relocation of a single Category 6 cable in a Standard Suspended Ceiling Environment		37	
CBL-project materials-misc	Misc Mounting Materials		37	
<b>NewCable-001</b>	1S - One New Category 6 Data Cable for Interior Standard Ceiling Height IP Endpoint	<b>\$297.42</b>	<b>23</b>	<b>\$6,840.66</b>
M58280B	Mohawk - 6 LAN Cat 6, 4 Pair, 23 AWG, UTP, Plenum Cable, White		4600	
CJ688TGIG	Panduit mini-com Cat 6 International Gray		46	
CBX1WH-A	Panduit Mini-Com 1 Port Surface Box White		23	
566-125-001	Quiktron Value Patch Cable Cat 6 Non-Booted White 1' CMR		23	
566-125-010	Quiktron Value Patch Cable Cat 6 Non-Booted White 10' CMR		23	
CAT12	Caddy J-Hook Small Steel 10 Cat 6 Cables		230	
BC	Caddy Beam Clamp Spring Steel		230	
1_CableLabor	Cabling Labor - Installation of a New Category 6 Indoor Standard Height Communications Cable		23	
CBL-project materials-misc	Project Materials - Fire Stop and Mounting Materials		23	
<b>NewCable-002</b>	1R - One New Category 6 Data Cable for Interior w/ 15' of Raceway for an IP Endpoint	<b>\$423.07</b>	<b>3</b>	<b>\$1,269.21</b>

Elementary School				
Part #	Description	Price	Qty	Ext. Price
M58280B	Mohawk - 6 LAN Cat 6, 4 Pair, 23 AWG, UTP, Plenum Cable, White		600	
CJ688TGIG	Panduit mini-com Cat 6 International Gray		6	
CBX1WH-A	Panduit Mini-Com 1 Port Surface Box White		3	
566-125-001	Quiktron Value Patch Cable Cat 6 Non-Booted White 1' CMR		3	
566-125-010	Quiktron Value Patch Cable Cat 6 Non-Booted White 10' CMR		3	
V700	Legrand Wiremold Steel Surface Raceway 10ft Ivory, per Foot		45	
V5748	Wiremold Switch & Receptacle 1 Gang box Ivory		3	
CAT12	Caddy J-Hook Small Steel 10 Cat 6 Cables		30	
BC	Caddy Beam Clamp Spring Steel		30	
1_CableLabor	Cabling Labor - Installation of a New Category 6 Indoor Standard Height Communications Cable with Raceway		3	
CBL-project materials-misc	Project Materials - Fire Stop and Mounting Materials		3	
<b>NewCable-003</b>	<b>2E - Two New Category 6 Data Cable for Exterior Standard Ceiling Height IP Endpoint</b>	<b>\$526.04</b>	<b>7</b>	<b>\$3,682.28</b>
M58280B	Mohawk M58280B 6 LAN Cat 6, 4 Pair, 23 AWG, UTP, Plenum Cable, White		2800	
CJ688TGIG	Panduit - CJ688TGIG - Mini-Com TX6 PLUS TG Style UTP Jack Module, International Gray		28	
CBX2WH-AY	Panduit - CBX2WH-AY - Mini-Com Surface Mount Box, 2 Port, White		7	
566-125-001	Quiktron Value Patch Cable Cat 6 Non-Booted White 1' CMR		14	
540-135-010OSP	Value Series, Cat 6 Copper Patch Cable, RJ-45, 10 ft., OSP		14	
CAT12	Caddy J-Hook Small Steel 10 Cat 6 Cables		70	
BC	Caddy Beam Clamp Spring Steel		70	
1_CableLabor	Cabling Labor - Installation of a New Category 6 Dual Exterior Standard Height Communications Cable		7	
CBL-project materials-misc	Project Materials - Fire Stop and Mounting Materials		7	
<b>NewCable-004</b>	<b>2S - Two New Category 6 Data Cable for Interior High Ceiling Height IP Endpoint</b>	<b>\$535.04</b>	<b>1</b>	<b>\$535.04</b>
M58280B	Mohawk M58280B 6 LAN Cat 6, 4 Pair, 23 AWG, UTP, Plenum Cable, White		400	
CJ688TGIG	Panduit - CJ688TGIG - Mini-Com TX6 PLUS TG Style UTP Jack Module, International Gray		4	
CBX2WH-AY	Panduit - CBX2WH-AY - Mini-Com Surface Mount Box, 2 Port, White		1	

Elementary School				
Part #	Description	Price	Qty	Ext. Price
566-125-001	Quiktron Value Patch Cable Cat 6 Non-Booted White 1' CMR		2	
566-125-010	Quiktron Value Patch Cord Cat 6 Non-Booted White 10' CMR		2	
CAT12	Caddy J-Hook Small Steel 10 Cat 6 Cables		10	
BC	Caddy Beam Clamp Spring Steel		10	
1_CableLabor	Cabling Labor - Installation of a New Category 6 Dual Interior High Ceiling Height Communications Cable		1	
CBL-project materials-misc	Project Materials - Fire Stop and Mounting Materials		1	
	Patch Panels (Approximately 10 new drops per network closet)			
CPP24FMWBLY	Panduit mini-com 24 Port modular patch panel black	\$55.06	4	\$220.24
	Section Subtotal			<b>\$16,813.90</b>
<i>Note: Installation labor is based on having access to locations using a standard "A" frame 6' or 12' ladder. If a lift is required for high ceiling or specialized environments such as gymnasiums, additional lift rental cost may be necessary.</i>			Subtotal:	<b>\$124,177.26</b>

STEM Building				
Part #	Description	Price	Qty	Ext. Price
	IP Endpoints			
<b>IP-2C</b>	Dual-Sided Clock/Speaker/Flasher Combo	<b>\$1,738.36</b>	<b>2</b>	<b>\$3,476.72</b>
IP-DDS	Atlas IED Dual Sided Hallway Clock		2	
1_PagingLabor	Programming and Installation of a Large Space, Hallway or Exterior Digital Network Clocks, Strobes and Speakers		2	
<b>IP-CF</b>	Clock/Speaker/Flasher Combo	<b>\$1,456.14</b>	<b>3</b>	<b>\$4,368.42</b>
IP-SDMF	PoE+ Indoor Wall Mount IP Speaker with LCD Display, LED Flashers, and Talkback Microphone		3	
IP-SEA-SD	Sloped Surface Mount Backbox		3	
1_PagingLabor	Programming and Installation of a Standard Digital Network Clocks, Strobes and Speakers		3	
<b>IP-CS</b>	Classroom Clock/Speaker Combo Device NO Flasher	<b>\$1,281.19</b>	<b>2</b>	<b>\$2,562.38</b>
IP-SDM	Atlas IED PoE+ Indoor Wall Mount IP Speaker with LCD Display and Talkback Microphone		2	
IP-SEA-SD	Sloped Surface Mount Backbox		2	
1_PagingLabor	Programming and Installation of a Standard Digital Network Clocks, Strobes and Speakers		2	
<b>IP-IS</b>	Indoor Wall Mount IP Speaker	<b>\$1,087.33</b>	<b>2</b>	<b>\$2,174.66</b>
IP-SM	Atlas IED - PoE+ Indoor Wall / Ceiling Mount IP Speaker with Talkback Microphone		2	

STEM Building				
Part #	Description	Price	Qty	Ext. Price
IP-SEA-SD	Sloped Surface Mount Backbox		2	
1_PagingLabor	Programming and Installation of a Standard Digital Network Clocks, Strobes and Speakers		2	
<b>IP - S</b>	Drop Ceiling IP Speaker	<b>\$1,090.19</b>	<b>2</b>	<b>\$2,180.38</b>
IP-22SYSM	Atlas IED PoE+ Indoor 2x2 Suspended Ceiling Mount IP Speaker with Talkback Microphone		2	
1_PagingLabor	Programming and Installation of a Standard Digital Network Clocks, Strobes and Speakers		2	
<b>IP-OH</b>	Outdoor IP Horn Speaker	<b>\$1,237.20</b>	<b>2</b>	<b>\$2,474.40</b>
IP-APX	Atlas IED - PoE+ Indoor / Outdoor IP Horn		2	
1_PagingLabor	Programming and Installation of a Large Space, Hallway or Exterior Digital Network Clocks, Strobes and Speakers		2	
<b>IP-SO</b>	Algo Indoor/Outdoor IP Strobe	<b>\$936.78</b>	<b>4</b>	<b>\$3,747.12</b>
8138	Algo IP Color Strobe Visual Alerter		4	
1_PagingLabor	Programming and Installation of a Large Space, Hallway or Exterior Digital Network Clocks, Strobes and Speakers		4	
<b>IP-LD</b>	Large 29" IP Display	<b>\$2,614.06</b>	<b>3</b>	<b>\$7,842.18</b>
IPCSHD-L	Advanced Network Devices Large HD IP Display		3	
PD-9601GC/AC-US	Microchip 1-Port, IEEE 802.3bt 90W PoE Midspan		3	
1_PagingLabor	Programming and Installation of IP Horns, Strobes, and Large Displays in Gymnasiums (Includes floor protection for scissor lift)		3	
<i>Note: The IPCSHD-L features a versatile VESA mount system, supporting flexible installation with third-party wall or articulated arm mounts if preferred over the included static option.</i>				
<i>Note: The IPCSHD-L requires 90W of PoE for full functionality, so we've included a midspan PoE injector to meet this requirement.</i>				
<i>Note: Advanced Network Devices IP endpoints include a standard 6-year manufacturer's warranty.</i>				
	Section Subtotal			<b>\$28,826.26</b>
<b>NewCable-001</b>	Structured Cabling 1S - One New Category 6 Data Cable for Interior Standard Ceiling Height IP Endpoint	<b>\$297.42</b>	<b>11</b>	<b>\$3,271.62</b>
M58280B	Mohawk - 6 LAN Cat 6, 4 Pair, 23 AWG, UTP, Plenum Cable, White		2200	
CJ688TGIG	Panduit mini-com Cat 6 International Gray		22	
CBX1WH-A	Panduit Mini-Com 1 Port Surface Box White		11	

STEM Building				
Part #	Description	Price	Qty	Ext. Price
566-125-001	Quiktron Value Patch Cable Cat 6 Non-Booted White 1' CMR		11	
566-125-010	Quiktron Value Patch Cable Cat 6 Non-Booted White 10' CMR		11	
CAT12	Caddy J-Hook Small Steel 10 Cat 6 Cables		110	
BC	Caddy Beam Clamp Spring Steel		110	
1_CableLabor	Cabling Labor - Installation of a New Category 6 Indoor Standard Height Communications Cable		11	
CBL-project materials-misc	Project Materials - Fire Stop and Mounting Materials		11	
<b>NewCable-002</b>	1R - One New Category 6 Data Cable for Interior w/ 15' of Raceway for an IP Endpoint	<b>\$423.07</b>	<b>8</b>	<b>\$3,384.56</b>
M58280B	Mohawk - 6 LAN Cat 6, 4 Pair, 23 AWG, UTP, Plenum Cable, White		1600	
CJ688TGIG	Panduit mini-com Cat 6 International Gray		16	
CBX1WH-A	Panduit Mini-Com 1 Port Surface Box White		8	
566-125-001	Quiktron Value Patch Cable Cat 6 Non-Booted White 1' CMR		8	
566-125-010	Quiktron Value Patch Cable Cat 6 Non-Booted White 10' CMR		8	
V700	Legrand Wiremold Steel Surface Raceway 10ft Ivory, per Foot		120	
V5748	Wiremold Switch & Receptacle 1 Gang box Ivory		8	
CAT12	Caddy J-Hook Small Steel 10 Cat 6 Cables		80	
BC	Caddy Beam Clamp Spring Steel		80	
1_CableLabor	Cabling Labor - Installation of a New Category 6 Indoor Standard Height Communications Cable with Raceway		8	
CBL-project materials-misc	Project Materials - Fire Stop and Mounting Materials		8	
<b>NewCable-003</b>	2E - Two New Category 6 Data Cable for Exterior Standard Ceiling Height IP Endpoint	<b>\$526.04</b>	<b>1</b>	<b>\$526.04</b>
M58280B	Mohawk M58280B 6 LAN Cat 6, 4 Pair, 23 AWG, UTP, Plenum Cable, White		400	
CJ688TGIG	Panduit - CJ688TGIG - Mini-Com TX6 PLUS TG Style UTP Jack Module, International Gray		4	
CBX2WH-AY	Panduit - CBX2WH-AY - Mini-Com Surface Mount Box, 2 Port, White		1	
566-125-001	Quiktron Value Patch Cable Cat 6 Non-Booted White 1' CMR		2	
540-135-010OSP	Value Series, Cat 6 Copper Patch Cable, RJ-45, 10 ft., OSP		2	
CAT12	Caddy J-Hook Small Steel 10 Cat 6 Cables		10	
BC	Caddy Beam Clamp Spring Steel		10	

STEM Building				
Part #	Description	Price	Qty	Ext. Price
1_CableLabor	Cabling Labor - Installation of a New Category 6 Dual Exterior Standard Height Communications Cable		1	
CBL-project materials-misc	Project Materials - Fire Stop and Mounting Materials		1	
	Patch Panels (Approximately 10 new drops per network closet)			
CPP24FMWBLY	Panduit mini-com 24 Port modular patch panel black	\$55.06	2	\$110.12
	Section Subtotal			<b>\$7,292.34</b>
<i>Note: Installation labor is based on having access to locations using a standard "A" frame 6' or 12' ladder. If a lift is required for high ceiling or specialized environments such as gymnasiums, additional lift rental cost may be necessary.</i>				
			Subtotal:	<b>\$36,118.60</b>

Bus Garage/Fieldhouse/Maintenance/Press Box				
Part #	Description	Price	Qty	Ext. Price
	IP Endpoints			
<b>IP-CF</b>	Clock/Speaker/Flasher Combo	<b>\$1,456.14</b>	<b>4</b>	<b>\$5,824.56</b>
IP-SDMF	PoE+ Indoor Wall Mount IP Speaker with LCD Display, LED Flashers, and Talkback Microphone		4	
IP-SEA-SD	Sloped Surface Mount Backbox		4	
1_PagingLabor	Programming and Installation of a Standard Digital Network Clocks, Strobes and Speakers		4	
<b>IP-CS</b>	Classroom Clock/Speaker Combo Device NO Flasher	<b>\$1,281.19</b>	<b>2</b>	<b>\$2,562.38</b>
IP-SDM	Atlas IED PoE+ Indoor Wall Mount IP Speaker with LCD Display and Talkback Microphone		2	
IP-SEA-SD	Sloped Surface Mount Backbox		2	
1_PagingLabor	Programming and Installation of a Standard Digital Network Clocks, Strobes and Speakers		2	
<b>IP-OS</b>	Outdoor IP Wall Speaker	<b>\$1,374.37</b>	<b>3</b>	<b>\$4,123.11</b>
IP-HVP	Atlas IED PoE+ Vandal and Weather Resistant Wall Mount IP Speaker		3	
IP-SEST-HVP	Atlas IED PoE+ Straight Enclosure for IP-HVP IP Addressable Speaker		3	
1_PagingLabor	Programming and Installation of a Large Space, Hallway or Exterior Digital Network Clocks, Strobes and Speakers		3	
<b>IP-OH</b>	Outdoor IP Horn Speaker	<b>\$1,237.20</b>	<b>6</b>	<b>\$7,423.20</b>
IP-APX	Atlas IED - PoE+ Indoor / Outdoor IP Horn		6	
1_PagingLabor	Programming and Installation of a Large Space, Hallway or Exterior Digital Network Clocks, Strobes and Speakers		6	
<b>IP-SO</b>	Algo Indoor/Outdoor IP Strobe	<b>\$936.78</b>	<b>6</b>	<b>\$5,620.68</b>

Bus Garage/Fieldhouse/Maintenance/Press Box				
Part #	Description	Price	Qty	Ext. Price
8138	Algo IP Color Strobe Visual Alerter		6	
1_PagingLabor	Programming and Installation of a Large Space, Hallway or Exterior Digital Network Clocks, Strobes and Speakers		6	
<i>Note: The IPCSHD-L features a versatile VESA mount system, supporting flexible installation with third-party wall or articulated arm mounts if preferred over the included static option.</i>				
<i>Note: The IPCSHD-L requires 90W of PoE for full functionality, so we've included a midspan PoE injector to meet this requirement.</i>				
<i>Note: Advanced Network Devices IP endpoints include a standard 6-year manufacturer's warranty.</i>				
	Section Subtotal			<b>\$25,553.93</b>
	Structured Cabling			
<b>NewCable-001</b>	1S - One New Category 6 Data Cable for Interior Standard Ceiling Height IP Endpoint	<b>\$297.42</b>	<b>4</b>	<b>\$1,189.68</b>
M58280B	Mohawk - 6 LAN Cat 6, 4 Pair, 23 AWG, UTP, Plenum Cable, White		800	
CJ688TGIG	Panduit mini-com Cat 6 International Gray		8	
CBX1WH-A	Panduit Mini-Com 1 Port Surface Box White		4	
566-125-001	Quiktron Value Patch Cable Cat 6 Non-Booted White 1' CMR		4	
566-125-010	Quiktron Value Patch Cable Cat 6 Non-Booted White 10' CMR		4	
CAT12	Caddy J-Hook Small Steel 10 Cat 6 Cables		40	
BC	Caddy Beam Clamp Spring Steel		40	
1_CableLabor	Cabling Labor - Installation of a New Category 6 Indoor Standard Height Communications Cable		4	
CBL-project materials-misc	Project Materials - Fire Stop and Mounting Materials		4	
<b>NewCable-002</b>	1R - One New Category 6 Data Cable for Interior w/ 15' of Raceway for an IP Endpoint	<b>\$423.07</b>	<b>7</b>	<b>\$2,961.49</b>
M58280B	Mohawk - 6 LAN Cat 6, 4 Pair, 23 AWG, UTP, Plenum Cable, White		1400	
CJ688TGIG	Panduit mini-com Cat 6 International Gray		14	
CBX1WH-A	Panduit Mini-Com 1 Port Surface Box White		7	
566-125-001	Quiktron Value Patch Cable Cat 6 Non-Booted White 1' CMR		7	
566-125-010	Quiktron Value Patch Cable Cat 6 Non-Booted White 10' CMR		7	
V700	Legrand Wiremold Steel Surface Raceway 10ft Ivory, per Foot		105	

Bus Garage/Fieldhouse/Maintenance/Press Box				
Part #	Description	Price	Qty	Ext. Price
V5748	Wiremold Switch & Receptacle 1 Gang box Ivory		7	
CAT12	Caddy J-Hook Small Steel 10 Cat 6 Cables		70	
BC	Caddy Beam Clamp Spring Steel		70	
1_CableLabor	Cabling Labor - Installation of a New Category 6 Indoor Standard Height Communications Cable with Raceway		7	
CBL-project materials-misc	Project Materials - Fire Stop and Mounting Materials		7	
<b>NewCable-003</b>	2E - Two New Category 6 Data Cable for Exterior Standard Ceiling Height IP Endpoint	<b>\$526.04</b>	<b>5</b>	<b>\$2,630.20</b>
M58280B	Mohawk M58280B 6 LAN Cat 6, 4 Pair, 23 AWG, UTP, Plenum Cable, White		2000	
CJ688TGIG	Panduit - CJ688TGIG - Mini-Com TX6 PLUS TG Style UTP Jack Module, International Gray		20	
CBX2WH-AY	Panduit - CBX2WH-AY - Mini-Com Surface Mount Box, 2 Port, White		5	
566-125-001	Quiktron Value Patch Cable Cat 6 Non-Booted White 1' CMR		10	
540-135-010OSP	Value Series, Cat 6 Copper Patch Cable, RJ-45, 10 ft., OSP		10	
CAT12	Caddy J-Hook Small Steel 10 Cat 6 Cables		50	
BC	Caddy Beam Clamp Spring Steel		50	
1_CableLabor	Cabling Labor - Installation of a New Category 6 Dual Exterior Standard Height Communications Cable		5	
CBL-project materials-misc	Project Materials - Fire Stop and Mounting Materials		5	
	Patch Panels (1 for Bus Garage)			
CPP24FMWBLY	Panduit mini-com 24 Port modular patch panel black	\$55.06	1	\$55.06
	Section Subtotal			<b>\$6,836.43</b>
<i>Note: Installation labor is based on having access to locations using a standard "A" frame 6' or 12' ladder. If a lift is required for high ceiling or specialized environments such as gymnasiums, additional lift rental cost may be necessary.</i>			Subtotal:	<b>\$32,390.36</b>

3-Year Singlewire InformaCast Software Subscription				
Part #	Description	Price	Qty	Ext. Price
	Mass Notification Software			
SSR-3YR-LIC-2	Singlewire InformaCast Reach User Licenses	\$47.83	250	\$11,957.50
SSR-3YR-IPA-2	Singlewire InformaCast Reach IP Endpoint Licenses (269 total IP Endpoints)	\$31.60	300	\$9,480.00
IPTA-IFS	Singlewire InformaCast Fusion Hardware Appliance	\$1,103.04	2	\$2,206.08
<i>Note 1: Singlewire requires InformaCast endpoint licenses to be purchased in packs of 50 each.</i>				
<i>Note 2: A minimum of 250 Singlewire InformaCast user licenses is required for initial deployments.</i>				

3-Year Singlewire InformaCast Software Subscription				
Part #	Description	Price	Qty	Ext. Price
	MOSS Services			
1_NetworkLabor	Programming Setup, and Testing of Mass Notification Software and Hardware Appliance with Up to (5) Unique Triggers/ Workflows, and "All Page" capability per Building.	\$1,500.00	2	\$3,000.00
1_NetworkLabor	Administration Training Session - 1-day	\$1,500.00	1	\$1,500.00
SS-OB-ATL	Singlewire Customer Onboarding	\$9,792.00	1	\$9,792.00
Subtotal:				<b>\$37,935.58</b>

Travel and Data Permits				
Part #	Description	Price	Qty	Ext. Price
1_TravelExpenses	Site Setup/Travel	\$19,545.54	1	\$19,545.54
CBL-PermitFees	Data Cabling permit	\$350.00	3	\$1,050.00
Subtotal:				<b>\$20,595.54</b>

Optional Protective Covers for IP Endpoints				* Optional
Part #	Description	Price	Qty	Ext. Price
	IP-CF Clock/Speaker/Flasher Combo Option			
G2060	American Time and Signal - Equipment Guard - 16'x16'x8.75"	\$101.34	1	\$101.34
	IP-LD - Large 29" IP Display Wire Option			
SBG-10	American Time Guard Wire Hinged Oversized 19 1/2" X 35" X 8"D	\$100.68	1	\$100.68
	IP-LD - Large 29" IP Display Poly Option			
STI-VFC01	STI LED Display Cover 15 in H x 43 in W x 6 in D	\$436.00	1	\$436.00
* Optional Subtotal:				<b>\$638.02</b>

Quote Summary	Amount
Middle School/High School	\$245,301.14
Elementary School	\$124,177.26
STEM Building	\$36,118.60
Bus Garage/Fieldhouse/Maintenance/Press Box	\$32,390.36
3-Year Singlewire InformaCast Software Subscription	\$37,935.58
Travel and Data Permits	\$20,595.54
Total:	<b>\$496,518.48</b>

*Optional Expenses	One-Time
Optional Protective Covers for IP Endpoints	\$638.02
Optional Subtotal:	<b>\$638.02</b>

Taxes, shipping, handling and other fees may apply. We reserve the right to cancel orders arising from pricing or other errors.

E-Signature Confirmation

**MOSS**



Ron Spencer

Signature / Name

05/26/2026

Date

**New Buffalo Area Schools**

Pano Arvanitis

Signature / Name

Initials

1/1/0001 12:00:00 AM

Date

## MASS NOTIFICATION FOR SCHOOL SAFETY



### MEET ALYSSA'S LAW REQUIREMENTS

Leverage our mobile panic button and wearable devices to connect directly with local law enforcement.



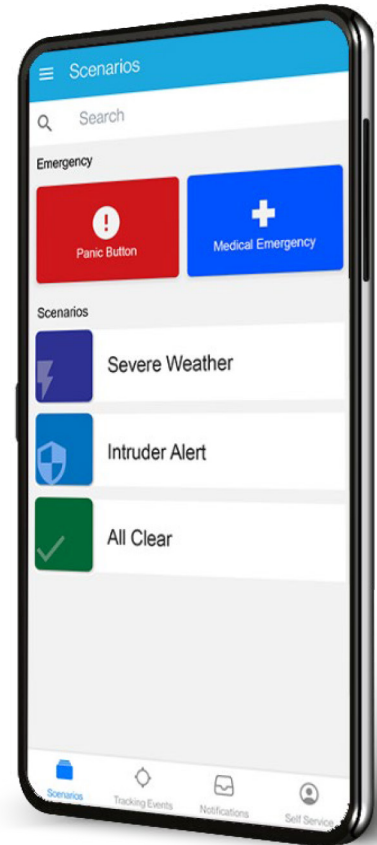
### REACH EVERYONE

Utilize intrusive text and audio delivered to every communication channel available so no one misses a message.



### DEPLOY INSTANT ALERTS

Distribute text and audio messages the moment an incident occurs.



Combined with InformaCast software, AtlasIED's mass notification system enhances school safety by meeting critical regulations like Alyssa's Law so panic button alerts can provide a direct connection for students and staff in need with local law enforcement. It excels in the three most critical areas of effective message delivery: speed, reach and intrusiveness to get information to the people who need it, the moment they need it.

# K-12 Use Cases

## ALYSSA'S LAW

Use the panic button in the InformaCast app or integrate with wearable panic buttons to connect directly with local law enforcement.

## PAGING AND INTERCOM

Utilize live audio paging, ad hoc audio, two-way handsfree intercom and push-to-talk functionalities with desk phones, IP speakers, and existing analog overhead systems.

## SCHEDULED SCHOOL BELLS

Schedule school bells for an entire year and make adjustments with ease.

## 911 ALERTING

Notify administrators when 911 is dialed and listen to near real-time recordings to understand the context of the situation unfolding.

## ACTIVE SHOOTER

Easily lockdown or evacuate buildings with text, audio, and visual messages that relay clear, actionable instructions.

## PANIC BUTTONS

Discretely trigger emergency notifications from phone soft keys, call buttons, keyboard function keys, low-voltage relay buttons, and our mobile app.

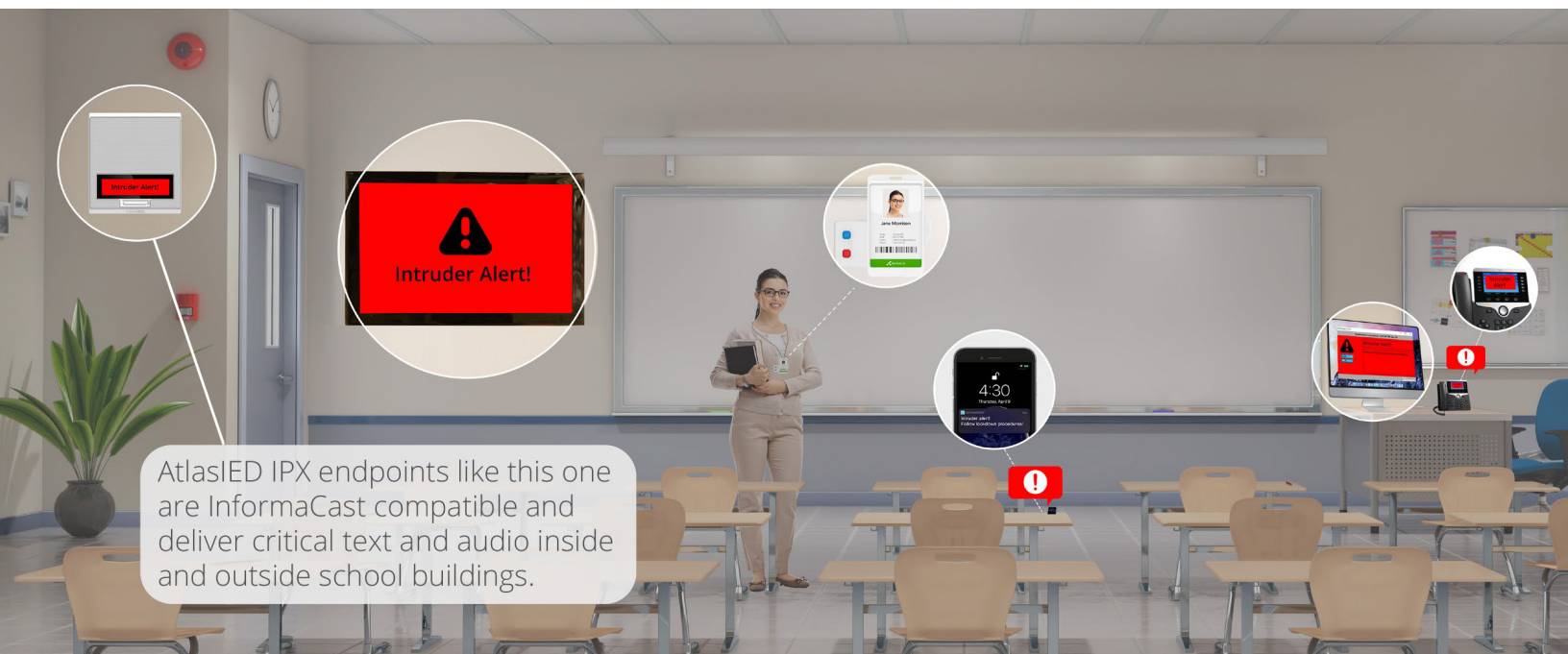
## IOT INTEGRATIONS

Trigger mass notifications to and from other physical systems, including fire alarms, entry access systems, light control systems, eyewash stations, and AED cabinet doors.

## SEVERE WEATHER

Monitor live feeds from the National Weather Service and automatically trigger an emergency notification when severe weather approaches.

Visit [www.atlasied.com/singlewire-informacast](http://www.atlasied.com/singlewire-informacast) or contact our team at [support@atlasied.com](mailto:support@atlasied.com) or 800-876-3333, to learn more.



# IP-DDS / IP-DD

*IP Dual Sided LCD With or Without Speakers*



## Features

### Network Features

- Dynamic or Static IP Address
- IEEE 802.3 10/100Base-T Ethernet
- IEEE 802.1q Tagging
- IEEE 802.3at Compliant

### Audio Codec Support

- G.711 u-law / a-law (16 kbit/s)
- G.722 Wideband Audio (64 kbit/s)

### Auto Provisioning

- DHCP Option 66, 150, for TFTP Server
- DHCP Option 72 for HTTP Server

### Auto Registration

- SLP for InformaCast
- DHCP Option 72 for Syn-Apps' Revolution

### Static Configuration

- HTTP GUI for Static Configuration

### Audio Features

- Integrated Amplifier
- Aux Audio Line-In Balanced (2.8Vpp 10K)
- Aux Audio Line-Out Balanced (2.8Vpp 10K)

### Additional Features

- 2 General Purpose Inputs
- Cisco SRST
- 1 Relay Output (2A @ 30VDC)
- Phone / Night Loud Ringer
- External Power Supply Option
- Two LCD's for Clock / Date and Scrolling Text
- LED Flashers Allow for ADA Compliance

## General Description

Model IP-DDS is an indoor dual sided LCD display incorporating loudspeakers and LED flasher. Model IP-DD is an indoor dual sided LCD display incorporating an LED flasher. They can display time as well as scrolling text and leverage the VoIP communication solution to extend notifications with effective visual text alerts for high ambient noise areas or large spaces.

## Applications

Models IP-DDS and IP-DD register as communication endpoints directly within InformaCast, GCK, and Syn-Apps' Revolution advanced notification applications, supporting message broadcasts to enhance physical security while improving day-to-day communications through advanced alerting, bell schedules, pre-recorded & scheduled announcements, while leveraging the WAN or LAN network architecture.

Model IP-DDS is a double sided enclosure containing dual LCDs, integrated LED flasher, and paging speakers. Model IP-DD is a double sided enclosure containing dual LCDs that can display time as well as scrolling text. Both models also features LED flashers located below the display that can be used to alert room occupants of incoming scrolling text messages in accordance with ADA compliance.

<b>System</b>	
Type	IP Dual Sided LCD Display With or Without Speakers
Operation Mode	N/A
Indicators	Network Status (On Back)
Operating Range (-10db) <b>(IP-DDS Only)</b>	250Hz - 9kHz
Coverage <b>(IP-DDS Only)</b>	95° 800Hz - 4kHz
Max SPL at 1m (Passive)	93dB SPL Continuous / 96dB SPL Peak
Recommended Signal Processing <b>(IP-DDS Only)</b>	Built-In Processing
General Purpose Interface	Two Trigger Inputs / One Relay Output (2A @ 30 VDC)
<b>Transducers (IP-DDS Only)</b>	
Transducer Qty and Size	(1) 3" (76mm) - Per Side
Voice Coil Size	0.5" (13mm)
Cone Material	Treated Industrial Paper
<b>Amplification</b>	
Type	Single-Channel Class D Topology
AC Power Input	PoE+ and External 24VDC (Recommend TSD-PS24V2500MA)
Power Rating (RMS)	25 Watts Max (802.3at)
THD	<0.2%
Cooling	Passive / Convection
Driver Protection	Built-In Limiter
<b>Audio Inputs and Outputs</b>	
Input: Analog Audio Type(s)	One Balanced Analog
Input: Analog Connectivity	Secured Screw Terminal Block
Input: Network Audio Type(s)	G.711 U-Law / A-Law and G.722 Capable
Input: Network Connectivity	RJ-45 Female
Output: Analog Audio Type(s)	One Balanced Line Level
Output: Analog Connectivity	Secured Screw Terminal Block
Output: Digital Audio Type(s)	G.711 U-Law / A-Law and G.722 Capable (Multicast)
Output: Digital Connectivity	N/A
Output: Speaker Level	8Ω, 25W (802.3AT)
Output: Speaker Connectivity	Two x Secured Screw Terminal Block
<b>Display</b>	
Display Type	High Resolution Back-Lit Color LCD
Display Color Range	16 Million Color Options for Both Backlight and Text
Surface Lumens	1900 cd/m <sup>2</sup> Minimum, All White Pixels
Character Max Height	480 Pixels
Viewable Dimensions (HxW)	8.66" (221mm) x 2.23" (57mm)
Control	Time via NTP - Text Controlled via Software
<b>Flasher</b>	
Flasher Type	LED
Flash Color Range	Red, Green, Blue, White, Purple, Orange, & Yellow
Flasher Lumens	83 Red, 545 Green, 90 Blue, 570 White
Flash Rate(s)	Multi Speed Capable
Viewable Dimensions (HxW)	0.5" (13mm) x 3.5" (89mm)
Control	Controlled via Software

©2019 Atlas Sound LP. The Atlas "Circle A", Soundolier, and Atlas Sound are trademarks of Atlas Sound L.P. IED is a Registered Trademark of Innovative Electronic Designs LLC. All rights reserved. All other Trademarks are property of their respective owners. No endorsement is implied. Due to continual product development, specifications are subject to change without notice. ATSO05792 RevE 02/21

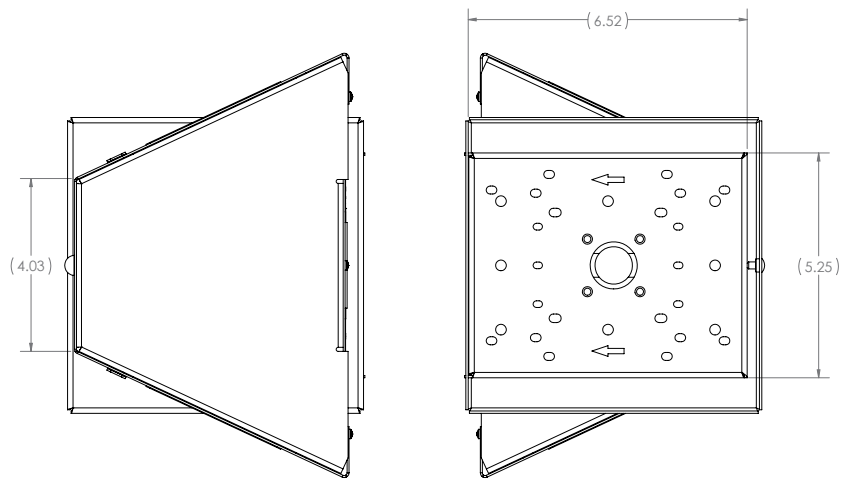
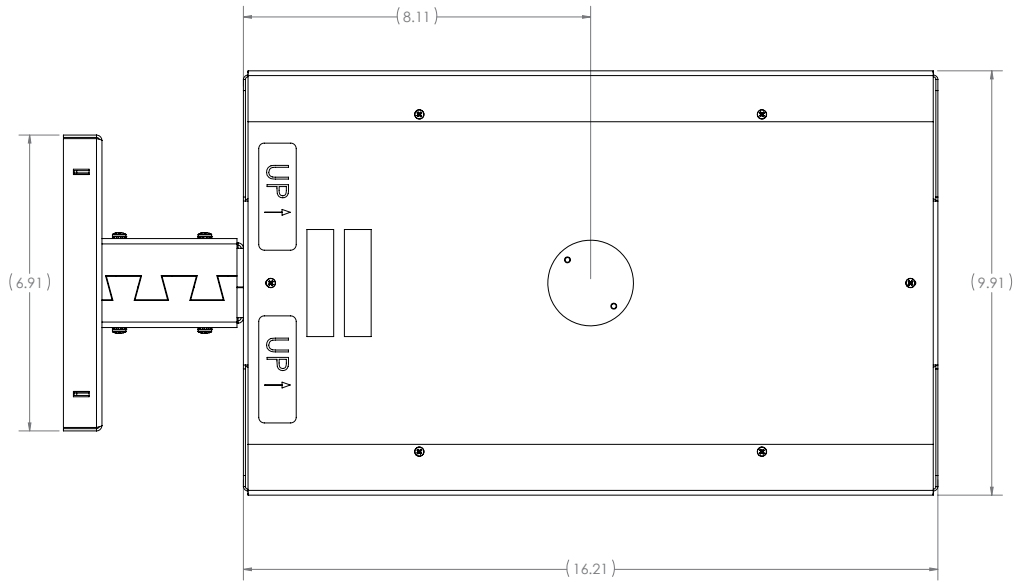
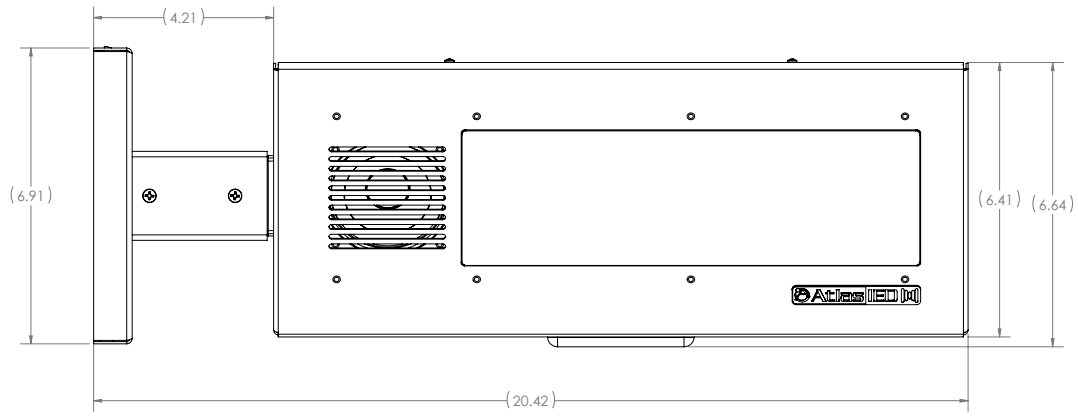
<b>Software</b>	
GCK Compatible Version	3.0+
InformaCast Advanced Compatible Version	8.0+
InformaCast Fusion Compatible Version	3.0+
SA-Announce Compatible Versions	9.0.18+
<b>Network</b>	
Ethernet	IEEE 802.3 10/100Base-T
PoE+	IEEE 802.3AT Compliant
VLAN	IEEE 802.1q Tagging
<b>Protocols</b>	
IP Addressing	DHCP / Static
Auto-Provisioning	HTTP / TFTP
Auto-Registration	HTTP / Service Location Protocol / IEDNet
Time	NTP
Telephony	SIP
<b>Enclosure</b>	
Color	White
Mounting / Rigging Provisions	Mounting Plate Provided with Various Hole Patterns for Wall or Ceiling Mount
Safety Agency Ratings	ETL Listed to Comply with 62368-1, CSA C22.2 #62368-1, IEC 62368-1 CB Scheme and FCC
Ingress Protection	N/A
Logo	One Color Print
Product Dimensions (HxWxD)	9.9" x 20.42" x 6.91" (251mm x 519mm x 176mm)
Shipping Dimensions (HxWxD)	10.6" x 25.4" x 12.8" (269mm x 645mm x 325mm)
Net Weight - lbs	11.22lb (5.09kg) IP-DD, 14.2lb (6.44kg) IP-DDS
Shipping Weight - lbs	16.11lb (7.30kg) IP-DD, 18.23lb (8.27kg) IP-DDS
<b>Warranty Coverage</b>	
Warranty Period	1 Year

**NOTES:**

1. Sensitivity: Half space pink noise measurement at 6 ft (1.8 m) at 20% power; extrapolated to 1 meter and an input of 2.83 volts RMS.
2. Watts: All wattage figures are calculated using the rated nominal impedance.
3. Frequency response and sensitivity are half-space measurements.

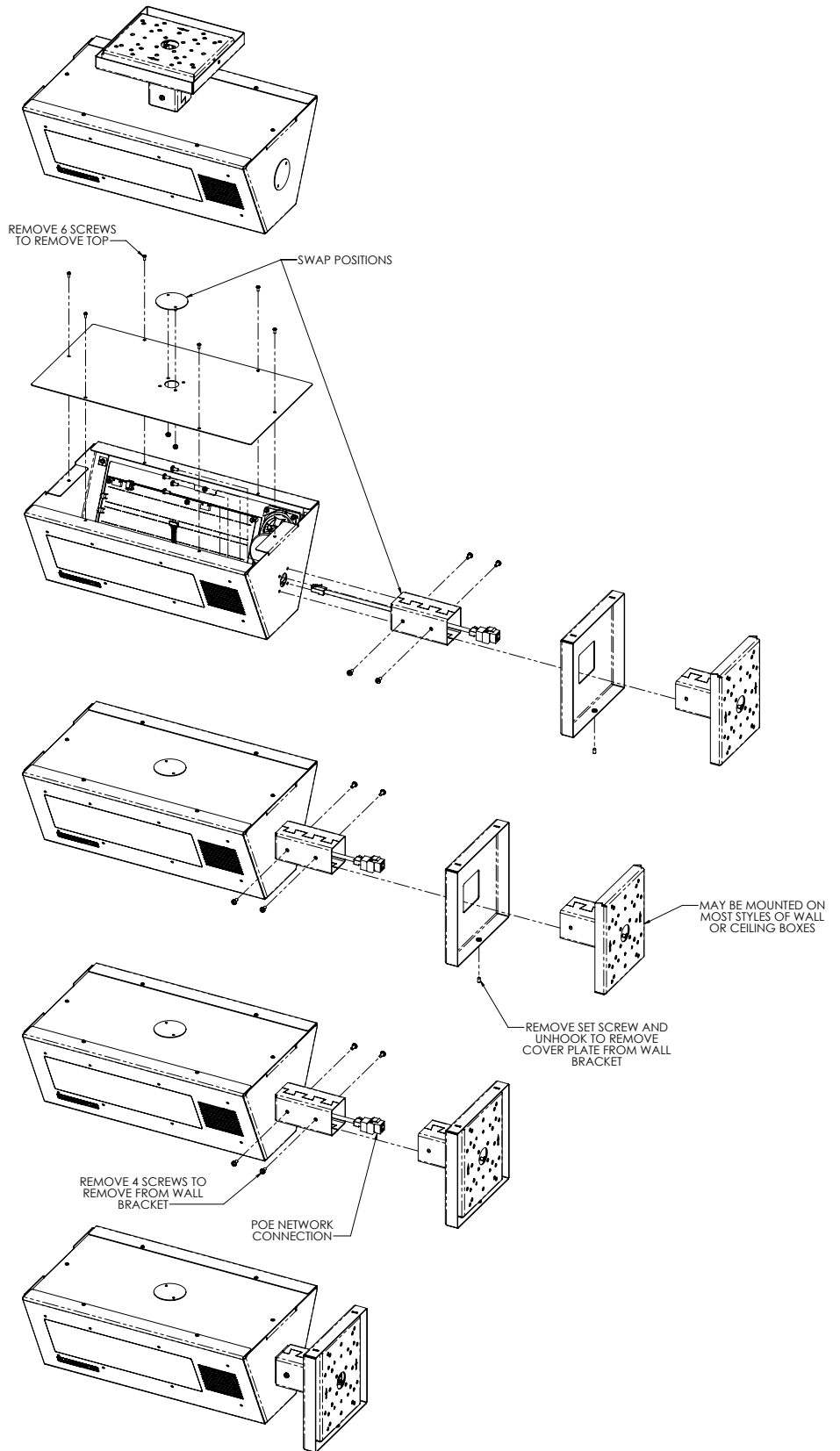
©2019 Atlas Sound LP. The Atlas "Circle A", Soundolier, and Atlas Sound are trademarks of Atlas Sound L.P. IED is a Registered Trademark of Innovative Electronic Designs LLC. All rights reserved. All other Trademarks are property of their respective owners. No endorsement is implied. Due to continual product development, specifications are subject to change without notice. ATSO05792 RevE 02/21

## Dimensional Drawings



©2019 Atlas Sound LP. The Atlas "Circle A", Soundlier, and Atlas Sound are trademarks of Atlas Sound L.P. IED is a Registered Trademark of Innovative Electronic Designs LLC. All rights reserved. All other Trademarks are property of their respective owners. No endorsement is implied. Due to continual product development, specifications are subject to change without notice. ATSO05792 RevE 02/21

## Mounting Options



©2019 Atlas Sound LP. The Atlas "Circle A", Soundlier, and Atlas Sound are trademarks of Atlas Sound L.P. IED is a Registered Trademark of Innovative Electronic Designs LLC. All rights reserved. All other Trademarks are property of their respective owners. No endorsement is implied. Due to continual product development, specifications are subject to change without notice. ATSO05792 RevE 02/21

## Architect and Engineer Specifications

The unit shall be AtlasIED model IP-DDS. The PoE+ Indoor IP Endpoint Visual System shall consist of a factory assembled double sided wall or ceiling mount enclosure containing 2 LCD displays that can display time and date as well as scrolling text. The model shall also feature LED flashers located below the display can be used to alert room occupants of an incoming scrolling text message in accordance with ADA compliance. The unit shall incorporate 3" loudspeaker drivers on each side of the display.

The speakers shall be an 3" (76mm) in diameter full range transducer each mounted next to LCD display on opposite sides within the metal housing. The speaker dispersion shall be 135° and frequency response range shall be 800Hz – 4kHz, ( $\pm 5$ dB). Sensitivity shall be 92dB at 1 Watt/1 meter. Voice coil impedance shall be 8 $\Omega$ .

The amplifier / control board shall receive announcements and messages using dynamically routed data on a standard Ethernet Network. It shall include a Single-Channel Class D Topology amplifier with Primary and Secondary Outputs capable of producing 25-watts RMS when using an IEEE 802.3at compatible PoE+ switch or 24VDC local power supply. Interconnect shall be via female RJ-45 connector mounted to the PCB.

The amplifier / control board shall include (2) logic inputs, (1) relay output, (1) Auxiliary Balanced line level audio input and (1) Balanced line level audio output. The Auxiliary Line Level input shall include an auto mute function that is activated when a broadcast is sensed from the control application.

The amplifier / control board shall include a Graphical User Interface (GUI) for SIP configuration. The SIP implementation shall support standards G.711, G.722 and RTP protocols. The Graphical User Interface (GUI) shall configure and manage logic inputs, relay outputs, and Auxiliary audio input.

The unit shall incorporate a High-Resolution Back-Lit color LCD display with viewable dimensions of 8.66" (221mm) wide x 2.23" (57mm) high. It shall receive visual notifications by AtlasIED's GCK, Syn-Apps' Revolution, Singlewire's InformaCast software platforms. It shall display time when in standby mode from AtlasIED's GCK, Syn-Apps' Revolution, Singlewire's InformaCast software platforms or by NTP. The display shall produce 1900 cd/m<sup>2</sup> lux brightness and display text and/or time.

The unit shall incorporate a LED flasher with viewable dimensions of 0.5" (13mm) height x 3.5" (89mm) wide. The LEDs shall be able to produce RGB color spectrum with brightness of 310-lux (Red), 348-lux (Green), 352-lux (Blue). It shall have the capability of multi-speed flash rate and will be software controllable.

All control functionality shall be determined via software. It shall be compatible with AtlasIED's GCK, Syn-Apps' Revolution, Singlewire's InformaCast software platforms and SIP standalone operation. The Indoor IP Endpoint Visual System overall dimensions shall be 9.9" (251mm) x 20.42" (519mm) x 6.91" (176mm) HxWxD.

The unit shall be AtlasIED model IP-DD. The PoE+ Indoor IP Endpoint Visual System shall consist of a factory assembled double sided wall or ceiling mount enclosure containing 2 LCD displays that can display time and date as well as scrolling text. The model shall also feature LED flashers located below the display can be used to alert room occupants of an incoming scrolling text message in accordance with ADA compliance.

The amplifier / control board shall receive announcements and messages using dynamically routed data on a standard Ethernet Network. It shall include a Single-Channel Class D Topology amplifier with Primary and Secondary Outputs capable of producing 25-watts RMS when using an IEEE 802.3at compatible PoE+ switch or 24VDC local power supply. Interconnect shall be via female RJ-45 connector mounted to the PCB.

The amplifier / control board shall include (2) logic inputs, (1) relay output, (1) Auxiliary Balanced line level audio input and (1) Balanced line level audio output. The Auxiliary Line Level input shall include an auto mute function that is activated when a broadcast is sensed from the control application.

The amplifier / control board shall include a Graphical User Interface (GUI) for SIP configuration. The SIP implementation shall support standards G.711, G.722 and RTP protocols. The Graphical User Interface (GUI) shall configure and manage logic inputs, relay outputs, and Auxiliary audio input.

The unit shall incorporate a High-Resolution Back-Lit color LCD display with viewable dimensions of 8.66" (221mm) wide x 2.23" (57mm) high. It shall receive visual notifications by AtlasIED's GCK, Syn-Apps' Revolution, Singlewire's InformaCast software platforms. It shall display time and date when in standby mode from AtlasIED's GCK, Syn-Apps' Revolution, Singlewire's InformaCast software platforms or by NTP. The display shall produce 1900 cd/m<sup>2</sup> lux brightness and display text and/or time.

The unit shall incorporate a LED flasher with viewable dimensions of 0.5" (13mm) height x 3.5" (89mm) wide. The LEDs shall be able to produce RGB color spectrum with brightness of 83-lux (Red), 545-lux (Green), 90-lux (Blue), 570-lux (White). It shall have the capability of multi-speed flash rate and will be software controllable.

All control functionality shall be determined via software. It shall be compatible with AtlasIED's GCK, Syn-Apps' Revolution, Singlewire's InformaCast software platforms and SIP standalone operation. The Indoor IP Endpoint Visual System overall dimensions shall be 9.9" (251mm) x 20.42" (519mm) x 6.91" (176mm) HxWxD.

# IP-SDM

## PoE+ Indoor IP Endpoint Speaker with LCD and Microphone



### Features

#### Network Features

- Dynamic or Static IP Address
- IEEE 802.3 10/100Base-T Ethernet
- IEEE 802.1q Tagging
- IEEE 802.3af and 802.3at Compliant

#### Audio Codec Support

- G.711 u-law / a-law (16 kbit/s)
- G.722 Wideband Audio (64 kbit/s)

#### Auto Provisioning

- DHCP Option 66, 150, for TFTP Server
- DHCP Option 72 for HTTP Server

#### Auto Registration

- SLP for InformaCast
- DHCP Option 72 for Syn-Apps' Revolution

#### Static Configuration

- HTTP GUI for Static Configuration

#### Audio Features

- Integrated Amplifier
- Aux Audio Line-In Balanced (2.8Vpp 10K)
- Aux Audio Line-Out Balanced (2.8Vpp 10K)

#### Additional Features

- 2 General Purpose Inputs
- Cisco SRST
- 1 Relay Output (2A @ 30 VDC)
- Phone/Night Loud Ringer
- External Power Supply Option
- LCD for Clock / Date and Scrolling Text
- Integrated Microphone Allows for Half-Duplex or Full-Duplex Paging Based on Software Platform

### General Description

AtlasIED IP-SDM is an indoor wall mount IP endpoint speaker with integrated talkback microphone and LCD display. It compliments the Unified Communications (VoIP Communications) investment including on-premises and hosted infrastructure platforms so that information can be pushed to spaces beyond the world of desktop telephony communication and breaking any traditional audio-path barriers.

### Applications

AtlasIED IP-SDM registers as a communication endpoint directly within InformaCast, GCK, and Syn-Apps' Revolution advanced notification applications, supporting audio broadcast to enhance physical security while improving day-to-day communications through advanced alerting, bell schedules, pre-recorded & scheduled announcements, while leveraging the WAN or LAN network architecture.

When used within a Cisco environment, the IP-SDM speakers can join Cisco's Unified Survivable Remote Site Telephony (SRST) as a supported device. Cisco's SRST provides remote location call-processing redundancy when access to the centralized Cisco Unified Communications Manager is interrupted because of a WAN outage. The ability of LAN communication between any combination of phones and speakers is particularly critical during an emergency (which may be the actual cause of the WAN outage).

Where 3rd party notification applications are not required, the IP-SDM speakers can register as SIP devices directly to a SIP server or VoIP Communications Manager for critical alerts, intercom and public address applications.

Under Title II of the ADA, all state and local governments are required to take steps and ensure effective communication to people with disabilities. The AtlasIED IP-SDM IP speakers with talkback microphone and LCD display provide effective communication for all individuals.

System	
Type	PoE+ Indoor IP Speaker System with LCD Display and Microphone
Indicators	Network Status (On Back)
Frequency Response (+/- 5dB)	86Hz - 15.5kHz
Vertical Coverage	105° (2kHz Octave Band, -6dB Points)
Horizontal Coverage	105° (2kHz Octave Band, -6dB Points)
Directivity Factor (Q)	17 @ 2 kHz
Max SPL at 1m (Passive)	110dB SPL Continuous
General Purpose Interface	Two Trigger Inputs / One Relay Output (2A @ 30 VDC)
Transducers	
LF Transducer Qty and Size	(1) 8" (203mm)
HF Transducer Qty and Size	(1) 3" (76mm)
HF Crossover Frequency	2,800Hz, First Order
Voice Coil Size	1" (25mm)
Cone Material	Curvilinear, Treated Industrial Paper
Sensitivity	98dB SPL Average
Amplification	
Type	Single-Channel Class D Topology with Primary and Secondary Outputs
AC Power Input	PoE or PoE+ and External 24VDC
Power Rating (RMS)	12 Watts Max (802.3AF) / 25 Watts Max (802.3AT)
THD	<0.2%
Cooling	Passive / Convection
Driver Protection	Built-In Limiter
Microphone	
Sensitivity	Minus 35 (±4dB) / (0db = 1V/pa, 1kHz)
Impedance	Less than 2.2kΩ
Directivity	Omnidirectional
Frequency Range	20Hz – 20kHz
Standard Operation Voltage	2V
Max. Operation Voltage	10V
Current Consumption Max.	0.5 mA
Sensitivity Reduction Within	Minus 3dB @ 1.5V
S/N Ratio	More than 62dB
Audio Inputs and Outputs	
Input: Analog Audio Type(s)	One Balanced Line Level
Input: Analog Connectivity	Secured Screw Terminal Block
Input: Network Audio Type(s)	G.711 U-Law / A-Law and G.722 Capable
Input: Network Connectivity	RJ-45 female
Output: Analog Audio Type(s)	One Balanced Line Level
Output: Analog Connectivity	Secured Screw Terminal Block
Output: Digital Audio Type(s)	G.711 U-Law / A-Law and G.722 Capable (Multicast)
Output: Digital Connectivity	N/A
Output: Speaker Level	8Ω, 12W (802.3AF), 25W (802.3AT)
Output: Speaker Connectivity	Primary and Slave Secured Screw Terminal Block

©2019 Atlas Sound LP. The Atlas "Circle A", Soundolier, and Atlas Sound are trademarks of Atlas Sound LP. IED is a Registered Trademark of Innovative Electronic Designs LLC. All rights reserved. All other Trademarks are property of their respective owners. No endorsement is implied. Due to continual product development, specifications are subject to change without notice. ATSO05788 RevC 2/19

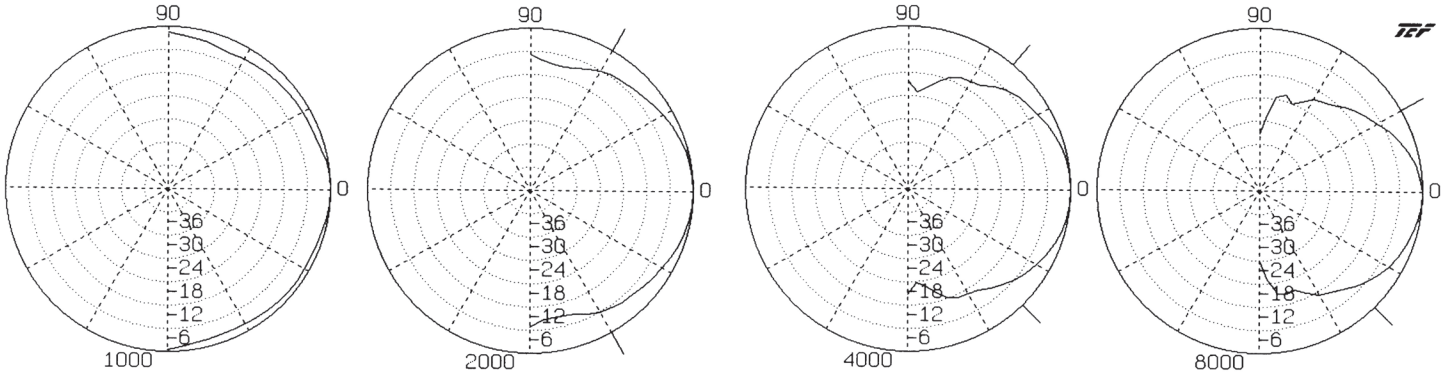
Display	
Display Type	High Resolution Back-Lit Color LCD Display
Display Color Range	Backlit Display - Red, Blue, Green - (With GCK) Standard - Blue Text White
Surface Lumens	1900 cd/m <sup>2</sup> Minimum, All White Pixels
Character Max Height	480 Pixels
Viewable Dimensions (HxW)	8.66" (220.88mm) x 2.23" (56.72mm)
Control	Time via NTP - Text Controlled via Software
Software	
GCK Compatible Version	3.0+
InformaCast Advanced Compatible Version	8.0+
InformaCast Fusion Compatible Version	3.0+
SA-Announce Compatible Versions	9.0.18+
Network	
Ethernet	IEEE 802.3 10/100Base-T
PoE	IEEE 802.3 AF/AT Compliant
VLAN	IEEE 802.1q Tagging
Protocols	
IP Addressing	DHCP / Static
Auto-Provisioning	HTTP / TFTP
Auto-Registration	HTTP / Service Location Protocol / IEDNet
Time	NTP or Host Server
Telephony	SIP
Enclosure	
Color	White
Grille Material	Powder Coated Steel
Baffle Material	Plastic
Mounting / Rigging Provisions	4 x Screws
Safety Agency Ratings	ETL Listed to Comply with 62368-1, CSA C22.2 #62368-1, IEC 62368-1 CB Scheme and FCC
Ingress Protection	N/A
Logo	One Color Print
Product Dimensions (HxWxD)	14.37" x 12.87" x 3.42" (365mm x 327mm x 87mm)
Shipping Dimensions (HxWxD)	15.5" x 13.9" x 5.5" (394mm x 353mm x 140mm)
Net Weight - lbs	4.25lb (1.92kg)
Shipping Weight - lbs	6.56lb (2.98kg)
Warranty Coverage	
Warranty Period	1 Year

**NOTES:**

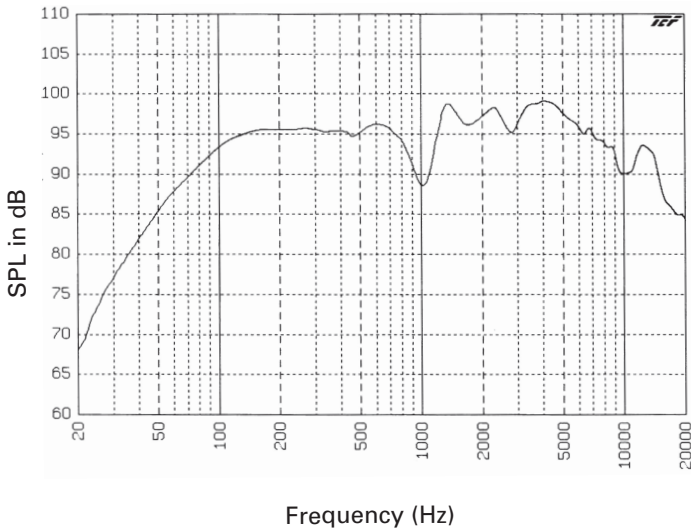
1. Sensitivity: Half space pink noise measurement at 6 ft (1.8 m) at 20% power; extrapolated to 1 meter and an input of 2.83 volts RMS.
2. Watts: All wattage figures are calculated using the rated nominal impedance.
3. Frequency response and sensitivity are half-space measurements.

©2019 Atlas Sound LP. The Atlas "Circle A", Soundolier, and Atlas Sound are trademarks of Atlas Sound LP. IED is a Registered Trademark of Innovative Electronic Designs LLC. All rights reserved. All other Trademarks are property of their respective owners. No endorsement is implied. Due to continual product development, specifications are subject to change without notice. AT5005788 RevC 2/19

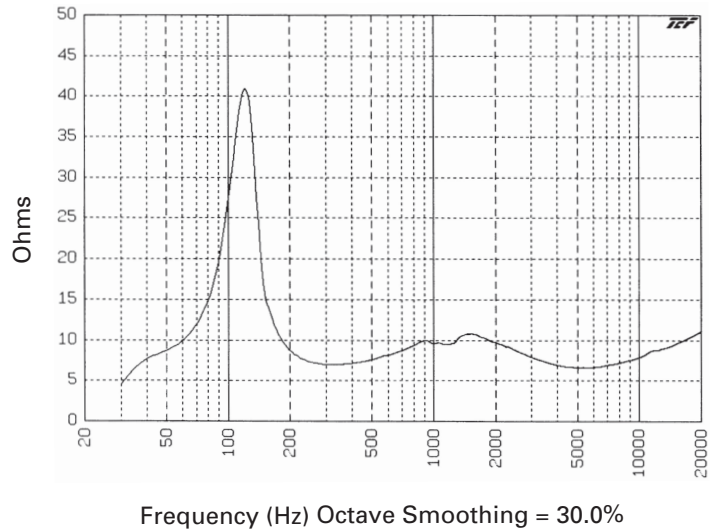
Polars Are Normalized To Zero On Axis (-6dB)



Frequency Response



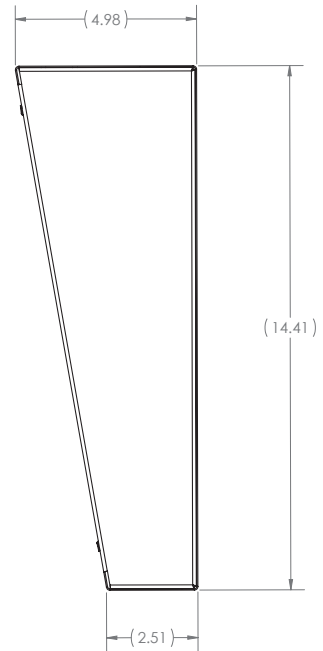
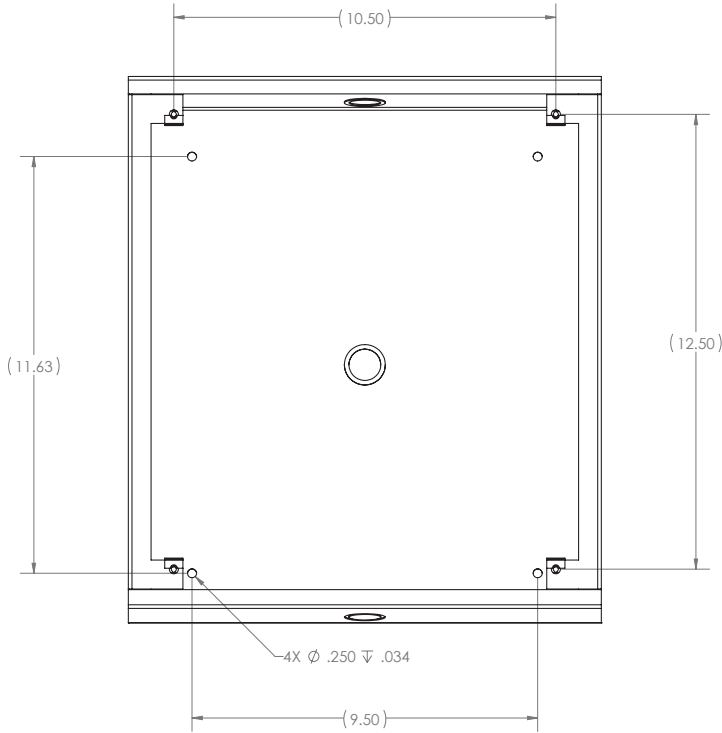
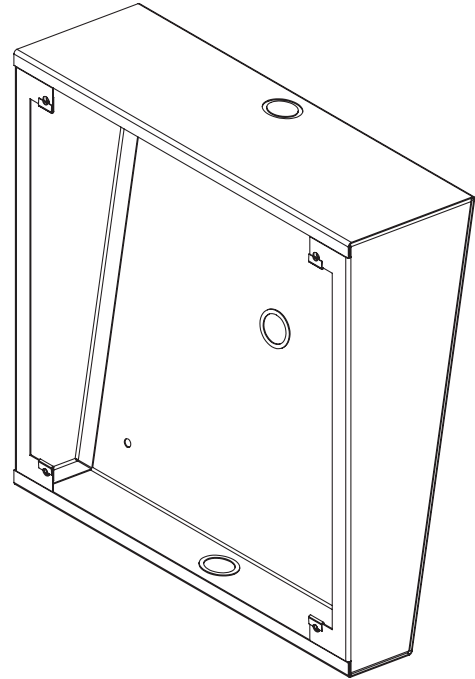
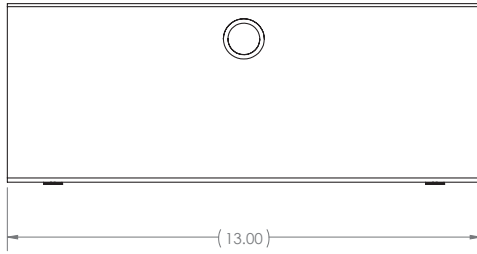
Impedance



©2019 Atlas Sound LP. The Atlas "Circle A", Soundolier, and Atlas Sound are trademarks of Atlas Sound L.P. IED is a Registered Trademark of Innovative Electronic Designs LLC. All rights reserved. All other Trademarks are property of their respective owners. No endorsement is implied. Due to continual product development, specifications are subject to change without notice. ATSO05788 RevC 2/19

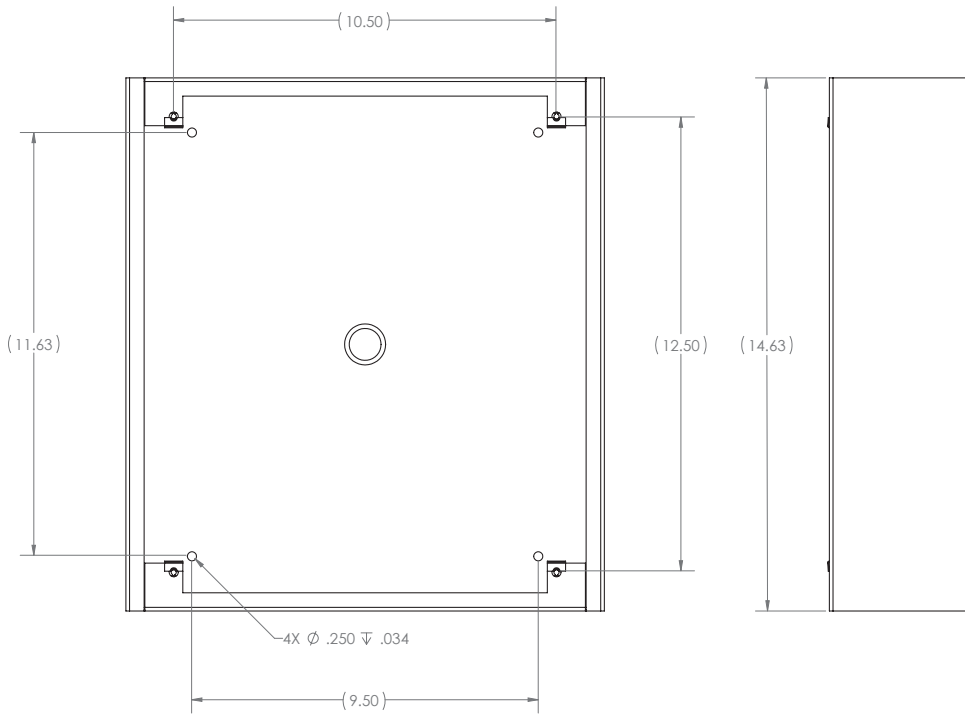
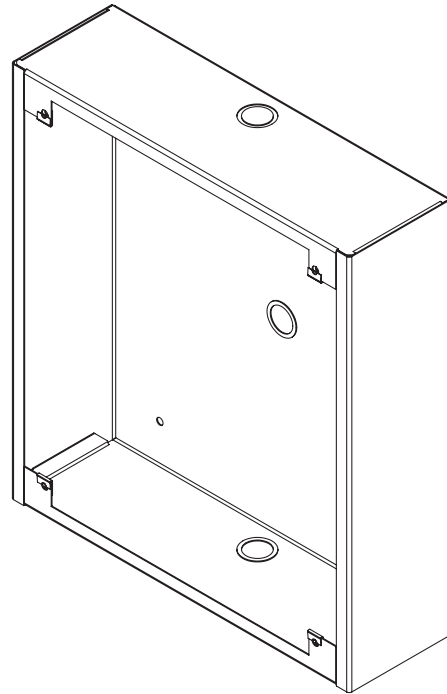
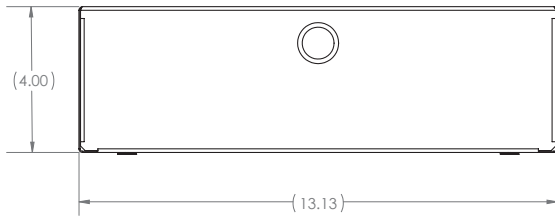


Accessories  
IP-SEA-SD



©2019 Atlas Sound LP. The Atlas "Circle A", Soundlier, and Atlas Sound are trademarks of Atlas Sound L.P. IED is a Registered Trademark of Innovative Electronic Designs LLC. All rights reserved. All other Trademarks are property of their respective owners. No endorsement is implied. Due to continual product development, specifications are subject to change without notice. ATSO05788 RevC 2/19

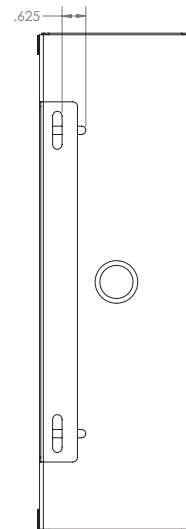
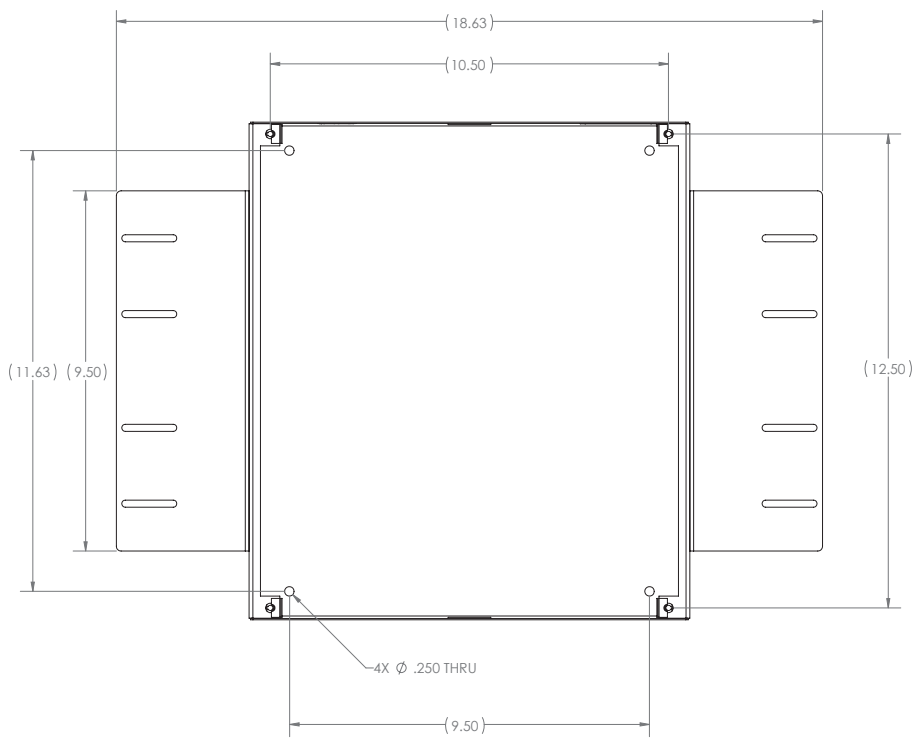
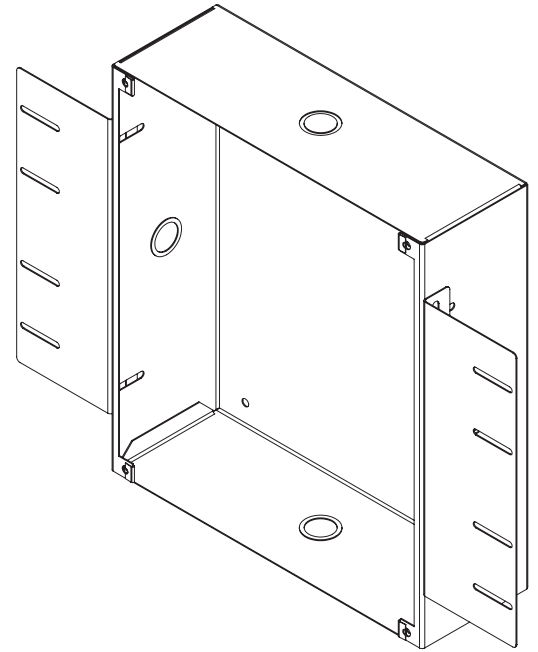
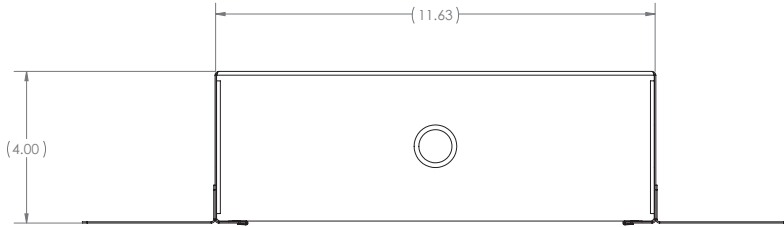
Accessories  
IP-SEST-SD



©2019 Atlas Sound LP. The Atlas "Circle A", Soundlier, and Atlas Sound are trademarks of Atlas Sound L.P. IED is a Registered Trademark of Innovative Electronic Designs LLC. All rights reserved. All other Trademarks are property of their respective owners. No endorsement is implied. Due to continual product development, specifications are subject to change without notice. ATSO05788 RevC 2/19

## Accessories

### IP-FEST-SD



©2019 Atlas Sound LP. The Atlas "Circle A", Soundlier, and Atlas Sound are trademarks of Atlas Sound L.P. IED is a Registered Trademark of Innovative Electronic Designs LLC. All rights reserved. All other Trademarks are property of their respective owners. No endorsement is implied. Due to continual product development, specifications are subject to change without notice. ATSO05788 RevC 2/19

## Architect and Engineer Specifications

The unit shall be AtlasIED model IP-SDM. The PoE+ Indoor IP Endpoint Speaker System shall include factory assembled speaker, IP addressable PCB amplifier / control, multicolor LCD display, plastic baffle, and integrated microphone.

The speaker shall be an 8" Coaxial driver with low-frequency reproducer cone shall be a full 8" (203mm) in diameter and the high frequency reproducer cone shall be 3" (76mm) in diameter. The woofer shall have a 10oz. (260g) ceramic magnet; the tweeter shall have a 2.35oz. (67g) ceramic magnet. The two reproducer sections shall be coupled through a built-in crossover network.

The crossover frequency shall be at 2800Hz. The speaker dispersion shall be 105° and frequency response range shall be 86Hz – 15.5kHz, (±5dB). Sensitivity shall be 98dB at 1 Watt / 1 meter. Voice coil impedance shall be 8Ω. Low frequency voice coil diameter shall be 1" (25mm) and operate in a magnet field of at least 10,600 gauss. The maximum depth of the loudspeaker shall not exceed 2 7/8" (73mm).

The amplifier / control board shall receive announcements and messages using dynamically routed data on a standard Ethernet Network. It shall include a Single-Channel Class D Topology amplifier with Primary and Secondary Outputs capable of producing 25-watts RMS when using an IEEE 802.3at compatible PoE+ switch or 24VDC local power supply and 12-watts RMS when used with an IEEE 802.3af compliant PoE switch. Interconnect shall be via female RJ-45 connector mounted to the PCB.

The amplifier / control board shall include (2) logic inputs, (1) relay output, (1) Auxiliary Balanced line level audio input and (1) Balanced line level audio output. The Auxiliary Line Level input shall include an auto mute function that is activated when a broadcast is sensed from the control application.

The amplifier / control board shall include a Graphical User Interface (GUI) for SIP configuration. The SIP implementation shall support standards G.711, G.722 and RTP protocols. The Graphical User Interface (GUI) shall configure and manage logic inputs, relay outputs, and Auxiliary audio input.

The unit shall incorporate an integrated microphone to allow full duplex talkback communication functionality based upon chosen software platform.

The unit shall incorporate a High-Resolution Back-Lit color LCD display with viewable dimensions of 8.66" (221mm) wide x 2.23" (57mm) high. It shall receive visual notifications by AtlasIED's GCK, Syn-Apps' Revolution, Singlewire's InformaCast software platforms. It shall display time and date when in standby mode from AtlasIED's GCK, Syn-Apps' Revolution, Singlewire's InformaCast software platforms or by NTP. The display shall produce 1900 cd/m<sup>2</sup> lux brightness and display text and / or time.

All control functionality shall be determined via software. It shall be compatible with AtlasIED's GCK, Syn-Apps' Revolution, Singlewire's InformaCast software platforms and SIP standalone operation. The PoE+ Indoor IP Endpoint Speaker System overall dimensions shall be 14.38" (365mm) x 12.88" (327mm) x 3.42" (87mm). Finish shall be neutral white electrostatic powder coat micro perforated grille with plastic trim ring.

Optional enclosures shall include:

IP-SEA-SD	Surface mount angled enclosure for IP-SDM neutral white finish
IP-SEST-SD	Surface mount straight enclosure for IP-SDM neutral white finish
IP-FEST-SD	Flush mount straight enclosure for IP-SDM reclaimed powder coat finish

# IP-SDMF

**PoE+ Indoor IP Endpoint with Speaker, LCD, Microphone, and LED Flasher**



## Features

### Network Features

- Dynamic or Static IP Address
- IEEE 802.3 10/100Base-T Ethernet
- IEEE 802.1q Tagging
- IEEE 802.3at Compliant

### Audio Codec Support

- G.711 u-law / a-law (16 kbit/s)
- G.722 Wideband Audio (64 kbit/s)

### Auto Provisioning

- DHCP Option 66, 150, for TFTP Server
- DHCP Option 72 for HTTP Server

### Auto Registration

- SLP for InformaCast
- DHCP Option 72 for Syn-Apps' Revolution

### Static Configuration

- HTTP GUI for Static Configuration

### Audio Features

- Integrated Amplifier
- Aux Audio Line-In Balanced (2.8Vpp 10K)
- Aux Audio Line-Out Balanced (2.8Vpp 10K)

### Additional Features

- 2 General Purpose Inputs
- Cisco SRST
- 1 Relay Output (2A @ 30VDC)
- Phone / Night Loud Ringer
- External Power Supply Option
- LCD for Clock / Date and Scrolling Text
- Front Panel LED Flashers Allow for ADA Compliance
- Integrated Microphone Allows for Half-Duplex or Full-Duplex Paging Based on Software Platform Used

## General Description

AtlasIED IP-SDMF is an indoor wall mount IP endpoint with speaker, integrated talkback microphone, LCD and LED flasher. It compliments the Unified Communications (VoIP Communications) investment including on-premises and hosted infrastructure platforms so that information can be pushed to spaces beyond the world of desktop telephony communication and breaking any traditional audio-path barriers.

## Applications

AtlasIED IP-SDMF registers as a communication endpoint directly within InformaCast, GCK, and Syn-Apps' Revolution advanced notification applications, supporting audio broadcast to enhance physical security while improving day-to-day communications through advanced alerting, bell schedules, pre-recorded & scheduled announcements, while leveraging the WAN or LAN network architecture.

When used within a Cisco environment, the IP-SDMF speakers can join Cisco's Unified Survivable Remote Site Telephony (SRST) as a supported device. Cisco's SRST provides remote location call-processing redundancy when access to the centralized Cisco Unified Communications Manager is interrupted because of a WAN outage. The ability of LAN communication between any combination of phones and speakers is particularly critical during an emergency (which may be the actual cause of the WAN outage).

Where 3rd party notification applications are not required, the IP-SDMF speakers can register as SIP devices directly to a SIP server or VoIP Communications Manager for critical alerts, intercom and public address applications.

Under Title II of the ADA, all state and local governments are required to take steps and ensure effective communication to people with disabilities. The AtlasIED IP-SDMF IP speakers with talkback microphone, LCD display and LED flasher provide effective communication for all individuals.

System	
Type	PoE+ Indoor IP Speaker System with LCD Display, Microphone and LED Flasher
Indicators	Network Status (On Back)
Frequency Response (+/- 5dB)	86Hz - 15.5kHz
Vertical Coverage	105° (2kHz Octave Band, -6dB Points)
Horizontal Coverage	105° (2kHz Octave Band, -6dB Points)
Directivity Factor (Q)	17 @ 2kHz
Max SPL at 1m (Passive)	110dB SPL Continuous
General Purpose Interface	Two Trigger Inputs / One Relay Output (2A @ 30 VDC)
Transducers	
LF Transducer Qty and Size	(1) 8" (203mm)
HF Transducer Qty and Size	(1) 3" (76mm)
HF Crossover Frequency	2,800Hz, First Order
Voice Coil Size	1" (25mm)
Cone Material	Curvilinear, Treated Industrial Paper
Sensitivity	98dB SPL Average
Amplification	
Type	Single-Channel Class D Topology with Primary and Secondary Outputs
AC Power Input	PoE+ and External 24VDC
Power Rating (RMS)	25 Watts Max (802.3AT)
THD	<0.2%
Cooling	Passive / Convection
Driver Protection	Built-In Limiter
Microphone	
Sensitivity	Minus 35 (±4dB) / (0db = 1V/pa, 1kHz)
Impedance	Less than 2.2kΩ
Directivity	Omnidirectional
Frequency Range	20Hz – 20kHz
Standard Operation Voltage	2V
Max. Operation Voltage	10V
Current Consumption Max.	0.5 mA
Sensitivity Reduction Within	Minus 3dB @ 1.5V
S/N Ratio	More than 62dB
Audio Inputs and Outputs	
Input: Analog Audio Type(s)	One Balanced Line Level
Input: Analog Connectivity	Secured Screw Terminal Block
Input: Network Audio Type(s)	G.711 U-Law / A-Law and G.722 Capable
Input: Network Connectivity	RJ-45 Female
Output: Analog Audio Type(s)	One Balanced Line Level
Output: Analog Connectivity	Secured Screw Terminal Block
Output: Digital Audio Type(s)	G.711 U-Law / A-Law and G.722 Capable (Multicast)
Output: Digital Connectivity	N/A
Output: Speaker Level	8Ω, 25W (802.3AT)
Output: Speaker Connectivity	Primary and Slave Secured Screw Terminal Block

©2019 Atlas Sound LP. The Atlas "Circle A", Soundolier, and Atlas Sound are trademarks of Atlas Sound LP. IED is a Registered Trademark of Innovative Electronic Designs LLC. All rights reserved. All other Trademarks are property of their respective owners. No endorsement is implied. Due to continual product development, specifications are subject to change without notice. ATSO05789 RevE 02/21

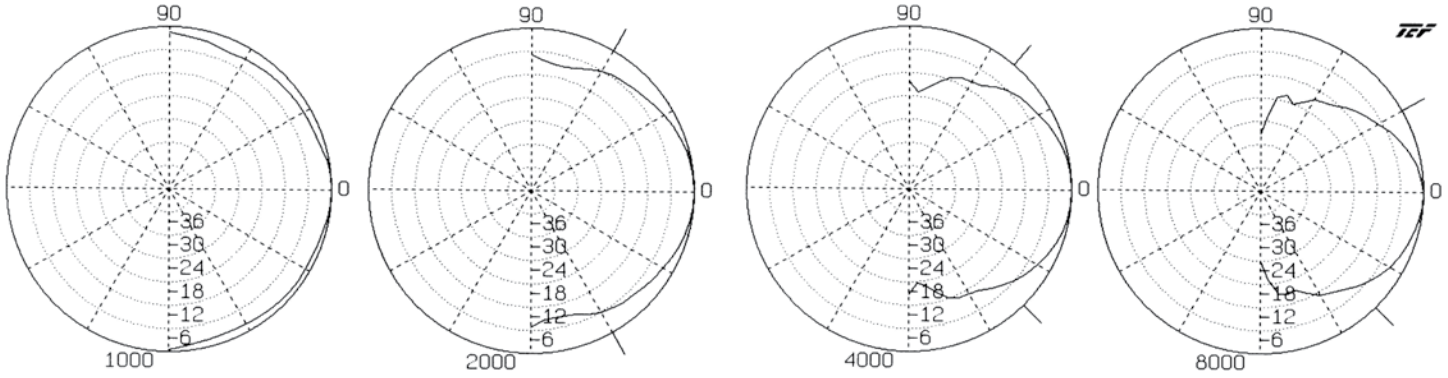
Display	
Display Type	High Resolution Back-Lit Color LCD Display
Display Color Range	16 Million Color Options for Both Backlight and Text
Surface Lumens	1900 cd/m <sup>2</sup> Minimum, All White Pixels
Character Max Height	480 Pixels
Viewable Dimensions (H x W)	8.66" (221mm) x 2.23" (57mm)
Control	Time via NTP - Text Controlled via Software
Flasher	
Flasher Type	LED
Flash Color Range	Red, Green, Blue, White, Purple, Orange, & Yellow
Flasher Illuminance (lux)	83 Red, 545 Green, 90 Blue, 570 White
Flash Rate(s)	Multi Speed Capable
Viewable Dimensions (HxW)	0.5" (13mm) x 3.5" (89mm)
Control	Controlled via Software
Software	
GCK Compatible Version	3.0+
InformaCast Advanced Compatible Version	8.0+
InformaCast Fusion Compatible Version	3.0+
SA-Announce Compatible Versions	9.0.18+
Network	
Ethernet	IEEE 802.3 10/100Base-T
PoE+	IEEE 802.3AT Compliant
VLAN	IEEE 802.1q Tagging
Protocols	
IP Addressing	DHCP / Static
Auto-Provisioning	HTTP / TFTP
Auto-Registration	HTTP / Service Location Protocol / IEDNet
Time	NTP or Host Server
Telephony	SIP
Enclosure	
Color	White
Grille Material	Powder Coated Steel
Baffle Material	Plastic
Mounting / Rigging Provisions	4 x Screws
Safety Agency Ratings	ETL Listed to Comply with 62368-1, CSA C22.2 #62368-1, IEC 62368-1 CB Scheme and FCC
Ingress Protection	N/A
Logo	One Color Print
Product Dimensions (HxWxD)	14.37" x 12.87" x 3.42" (365mm x 327mm x 87mm)
Shipping Dimensions (HxWxD)	15.5" x 13.9" x 5.5" (394mm x 353mm x 140mm)
Net Weight - lbs	4.25lb (1.92kg)
Shipping Weight - lbs	6.62lb (3.0kg)
Warranty Coverage	
Warranty Period	1 Year

**NOTES:**

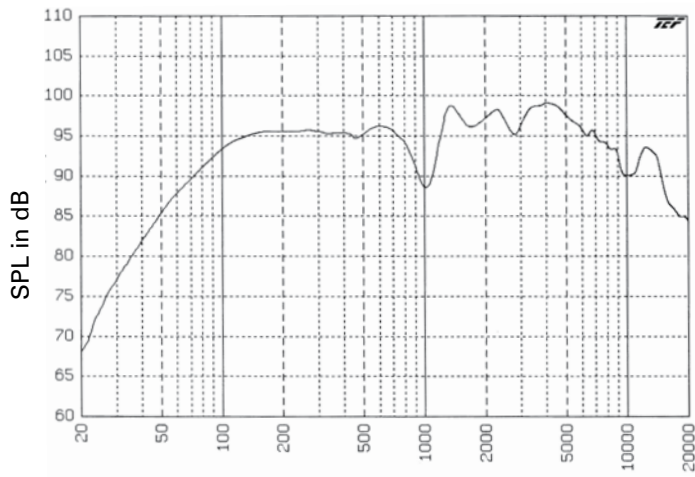
1. Sensitivity: Half space pink noise measurement at 6 ft (1.8 m) at 20% power; extrapolated to 1 meter and an input of 2.83 volts RMS.
2. Watts: All wattage figures are calculated using the rated nominal impedance.
3. Frequency response and sensitivity are half-space measurements.

©2019 Atlas Sound LP. The Atlas "Circle A", Soundolier, and Atlas Sound are trademarks of Atlas Sound LP. IED is a Registered Trademark of Innovative Electronic Designs LLC. All rights reserved. All other Trademarks are property of their respective owners. No endorsement is implied. Due to continual product development, specifications are subject to change without notice. ATSO05789 RevE 02/21

Polars Are Normalized To Zero On Axis (-6dB)

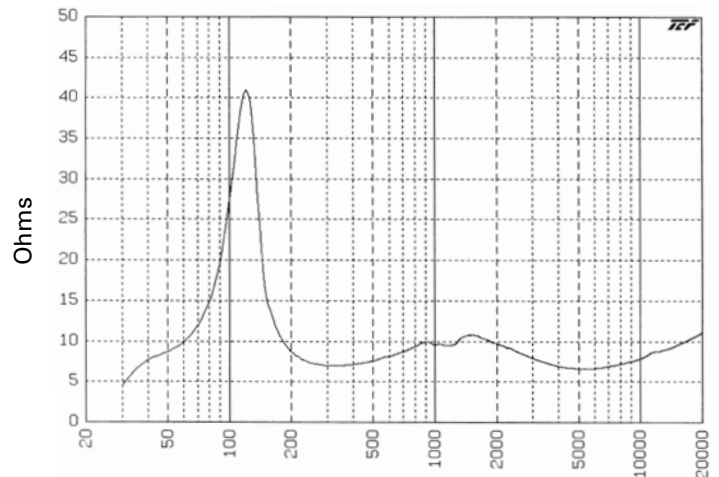


Frequency Response



Frequency (Hz)

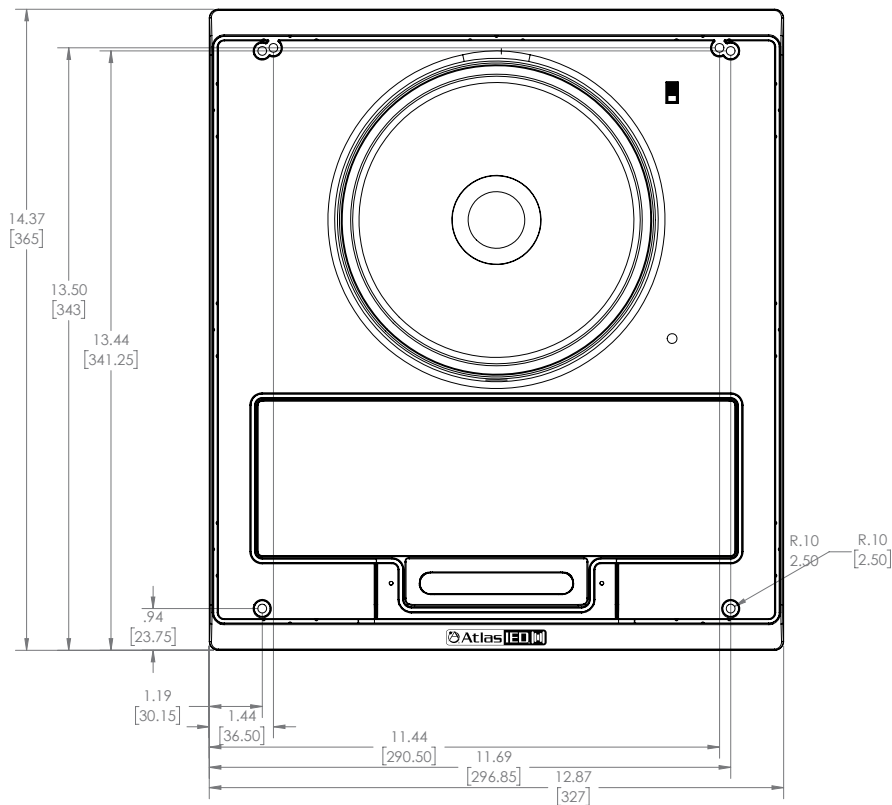
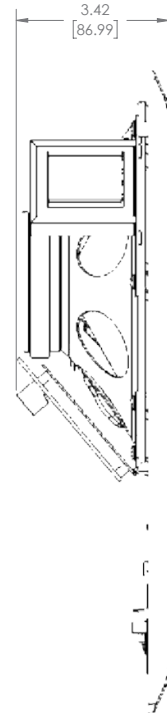
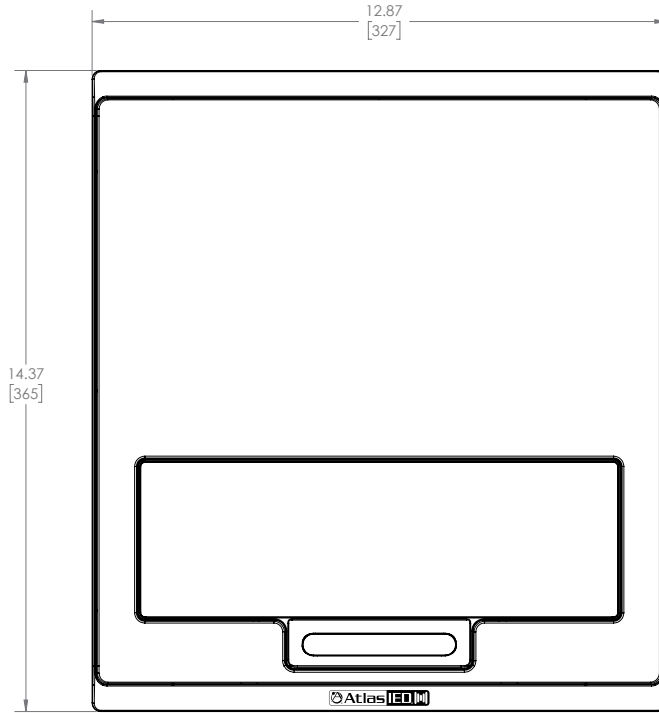
Impedance



Frequency (Hz) Octave Smoothing = 30.0%

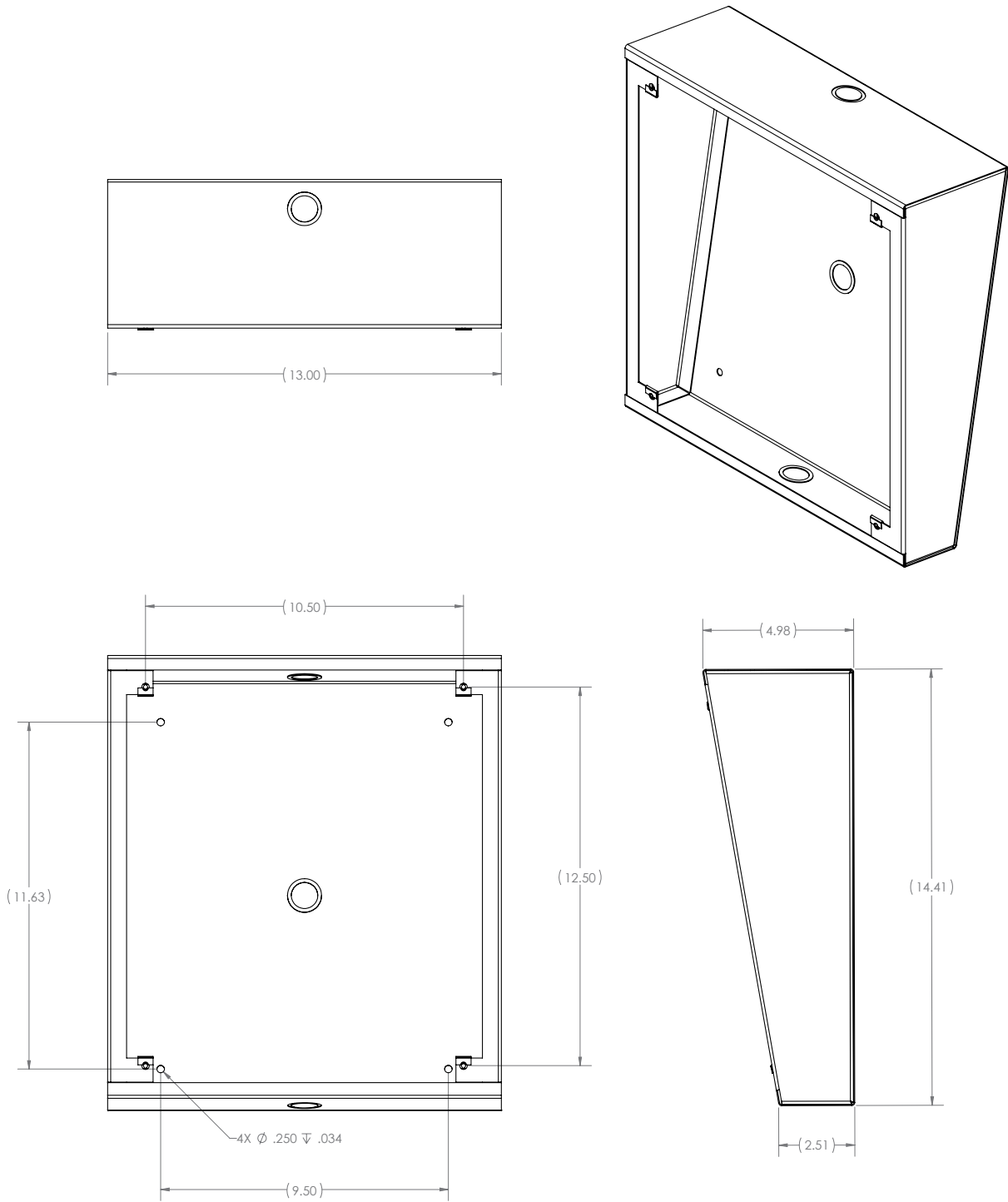
©2019 Atlas Sound LP. The Atlas "Circle A", Soundolier, and Atlas Sound are trademarks of Atlas Sound L.P. IED is a Registered Trademark of Innovative Electronic Designs LLC. All rights reserved. All other Trademarks are property of their respective owners. No endorsement is implied. Due to continual product development, specifications are subject to change without notice. ATSO05789 RevE 02/21

## Dimensional Drawings



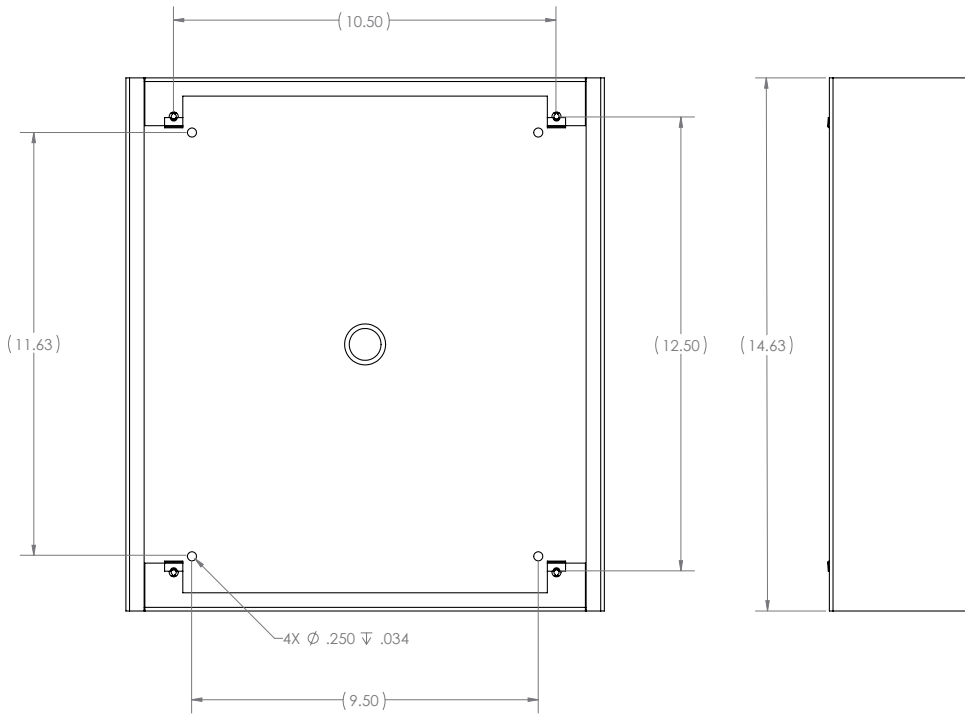
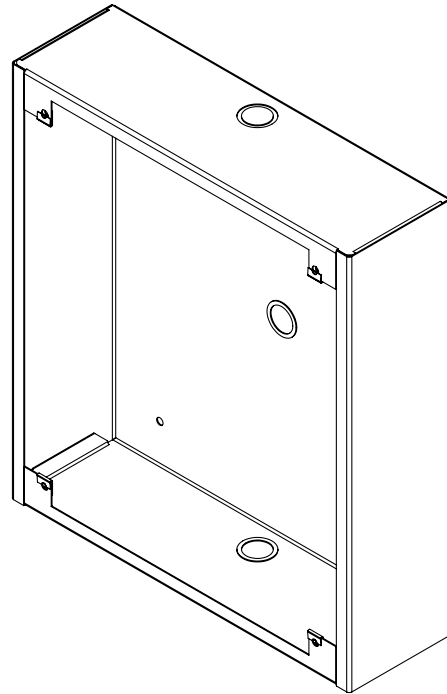
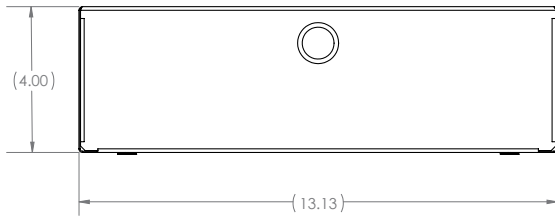
©2019 Atlas Sound LP. The Atlas "Circle A", Soundlier, and Atlas Sound are trademarks of Atlas Sound L.P. IED is a Registered Trademark of Innovative Electronic Designs LLC. All rights reserved. All other Trademarks are property of their respective owners. No endorsement is implied. Due to continual product development, specifications are subject to change without notice. ATSO05789 RevE 02/21

Accessories  
IP-SEA-SD



©2019 Atlas Sound LP. The Atlas "Circle A", Soundlier, and Atlas Sound are trademarks of Atlas Sound L.P. IED is a Registered Trademark of Innovative Electronic Designs LLC. All rights reserved. All other Trademarks are property of their respective owners. No endorsement is implied. Due to continual product development, specifications are subject to change without notice. ATSO05789 RevE 02/21

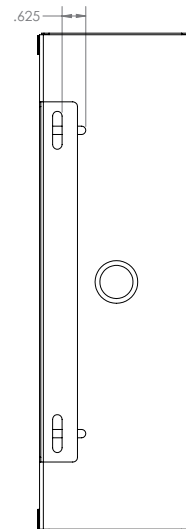
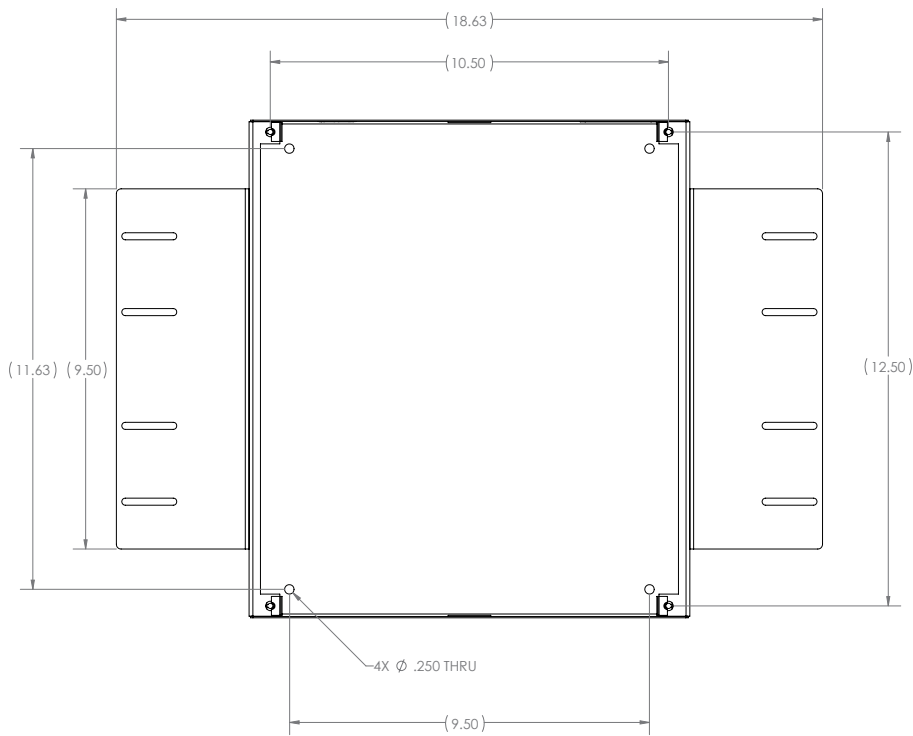
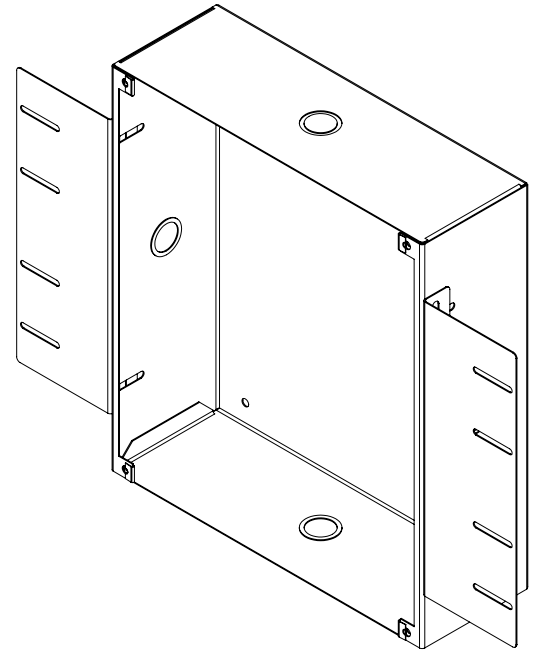
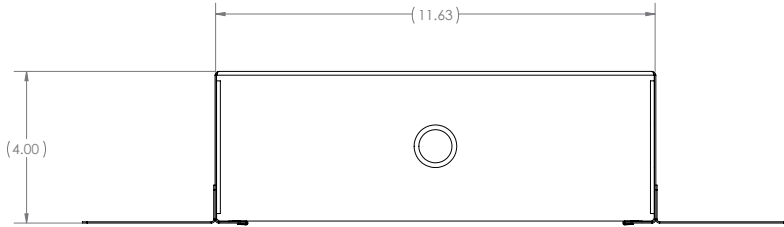
**Accessories**  
**IP-SEST-SD**



©2019 Atlas Sound LP. The Atlas "Circle A", Soundlier, and Atlas Sound are trademarks of Atlas Sound L.P. IED is a Registered Trademark of Innovative Electronic Designs LLC. All rights reserved. All other Trademarks are property of their respective owners. No endorsement is implied. Due to continual product development, specifications are subject to change without notice. ATSO05789 RevE 02/21

Accessories

IP-FEST-SD



©2019 Atlas Sound LP. The Atlas "Circle A", Soundlier, and Atlas Sound are trademarks of Atlas Sound L.P. IED is a Registered Trademark of Innovative Electronic Designs LLC. All rights reserved. All other Trademarks are property of their respective owners. No endorsement is implied. Due to continual product development, specifications are subject to change without notice. ATSO05789 RevE 02/21

## Architect and Engineer Specifications

The unit shall be AtlasIED model IP-SDMF The PoE+ Indoor IP Endpoint Speaker System shall include factory assembled speaker, IP addressable PCB amplifier / control, plastic baffle, and integrated microphone.

The speaker shall be an 8" Coaxial driver with low-frequency reproducer cone shall be a full 8" (203mm) in diameter and the high frequency reproducer cone shall be 3" (76mm) in diameter. The woofer shall have a 10oz. (260g) ceramic magnet; the tweeter shall have a 2.35oz. (67g) ceramic magnet. The two reproducer sections shall be coupled through a built-in crossover network.

The crossover frequency shall be at 2800Hz. The speaker dispersion shall be 105° and frequency response range shall be 70Hz – 15.5kHz, (±5dB). Sensitivity shall be 98dB at 1 Watt / 1 meter. Voice coil impedance shall be 8Ω. Low frequency voice coil diameter shall be 1" (25mm) and operate in a magnet field of at least 10,600 gauss. The maximum depth of the loudspeaker shall not exceed 2<sup>7</sup>/<sub>8</sub>" (73mm).

The amplifier / control board shall receive announcements and messages using dynamically routed data on a standard Ethernet Network. It shall include a Single-Channel Class D Topology amplifier with Primary and Secondary Outputs capable of producing 25-watts RMS when using an IEEE 802.3at compatible PoE+ switch or 24VDC local power supply. Interconnect shall be via female RJ-45 connector mounted to the PCB.

The amplifier / control board shall include (2) logic inputs, (1) relay output, (1) Auxiliary Unbalanced line level audio input and (1) Unbalanced line level audio output. The Auxiliary Line Level input shall include an auto mute function that is activated when a broadcast is sensed from the control application.

The amplifier / control board shall include a Graphical User Interface (GUI) for SIP configuration. The SIP implementation shall support standards G.711, G.722 and RTP protocols. The Graphical User Interface (GUI) shall configure and manage logic inputs, relay outputs, and Auxiliary audio input.

The unit shall incorporate an integrated microphone to allow full duplex talkback communication functionality based upon chosen software platform.

The unit shall incorporate a High-Resolution Back-Lit color LCD display with viewable dimensions of 8.66" (221mm) wide x 2.23" (57mm) high. It shall receive visual notifications by AtlasIED's GCK, Syn-Apps' Revolution, Singlewire's InformaCast software platforms. It shall display time when in standby mode from AtlasIED's GCK, Syn-Apps' Revolution, Singlewire's InformaCast software platforms or by NTP. The display shall produce 1900 cd/m<sup>2</sup> lux brightness and display text and / or time.

The unit shall incorporate a LED flasher with viewable dimensions of 0.5" (13mm) height x 3.5" (89mm) wide. The LEDs shall be able to produce RGB color spectrum with brightness of 83-lux (Red), 545-lux (Green), 90-lux (Blue), 570-lux (White). It shall have the capability of multi-speed flash rate and will be software controllable.

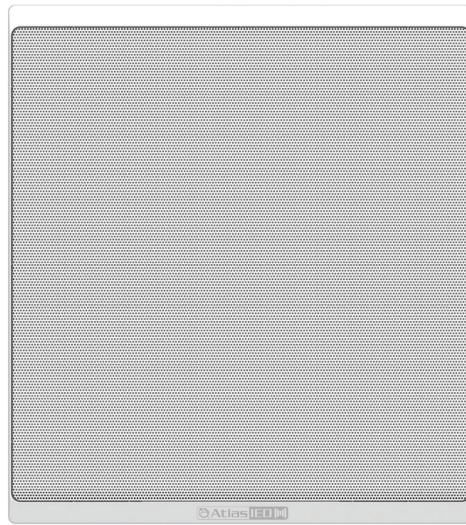
All control functionality shall be determined via software. It shall be compatible with AtlasIED's GCK, Syn-Apps' Revolution, Singlewire's InformaCast software platforms and SIP standalone operation. The PoE+ Indoor IP Endpoint Speaker System overall dimensions shall be 14.38" (365mm) x 12.88" (327mm) x 3.42" (87mm). Finish shall be neutral white electrostatic powder coat micro perforated grille with plastic trim ring.

Optional enclosures shall include:

IP-SEA-SD	Surface mount angled enclosure for IP-SDMF neutral white finish
IP-SEST-SD	Surface mount straight enclosure for IP-SDMF neutral white finish
IP-FEST-SD	Flush mount straight enclosure for IP-SDMF reclaimed powder coat finish

# IP-SM

## PoE+ Indoor IP Endpoint Speaker System with Microphone



### Features

#### Network Features

- Dynamic or Static IP Address
- IEEE 802.3 10/100Base-T Ethernet
- IEEE 802.1q Tagging
- IEEE 802.3af and 802.3at Compliant

#### Audio Codec Support

- G.711 u-law / a-law (16 kbit/s)
- G.722 Wideband Audio (64 kbit/s)

#### Auto Provisioning

- DHCP Option 66, 150, for TFTP Server
- DHCP Option 72 for HTTP Server

#### Auto Registration

- SLP for InformaCast
- DHCP Option 72 for Syn-Apps' Revolution

#### Static Configuration

- HTTP GUI for Static Configuration

#### Audio Features

- Integrated Amplifier
- Aux Audio Line-In Balanced (2.8Vpp 10K)
- Aux Audio Line-Out Balanced (2.8Vpp 10K)

#### Additional Features

- 2 General Purpose Inputs
  - Cisco SRST
  - 1 Relay Output (2A @ 30 VDC)
  - Phone / Night Loud Ringer
  - External Power Supply Option
  - Integrated Microphone Allows for Half-Duplex or Full-Duplex Paging
- Based on Software Platform Used

### General Description

AtlasIED IP-SM is an indoor wall / ceiling mount IP speaker with integrated talkback microphone. It compliments the Unified Communications (VoIP Communications) investment including on-premises and hosted infrastructure platforms so that information can be pushed to spaces beyond the world of desktop telephony communication and breaking any traditional audio-path barriers.

### Applications

AtlasIED IP-SM registers as a communication endpoint directly within InformaCast, GCK, and Syn-Apps' Revolution advanced notification applications, supporting audio broadcast to enhance physical security while improving day-to-day communications through advanced alerting, bell schedules, pre-recorded & scheduled announcements, while leveraging the WAN or LAN network architecture.

When used within a Cisco environment, the IP-SM speakers can join Cisco's Unified Survivable Remote Site Telephony (SRST) as a supported device. Cisco's SRST provides remote location call-processing redundancy when access to the centralized Cisco Unified Communications Manager is interrupted because of a WAN outage. The ability of LAN communication between any combination of phones and speakers is particularly critical during an emergency (which may be the actual cause of the WAN outage).

Where 3rd party notification applications are not required, the IP-SM speakers can register as SIP devices directly to a SIP server or VoIP Communications Manager for critical alerts, intercom and public address applications.

System	
Type	PoE+ Indoor IP Speaker System with Microphone
Indicators	Network Status (On Back)
Frequency Response (+/- 5dB)	86Hz - 15.5kHz
Vertical Coverage	105° (2kHz Octave Band, -6dB Points)
Horizontal Coverage	105° (2kHz Octave Band, -6dB Points)
Directivity Factor (Q)	17 @ 2 kHz
Max SPL at 1m (Passive)	110dB SPL Continuous
General Purpose Interface	Two Trigger Inputs / One Relay Output (2A @ 30 VDC)
Transducers	
LF Transducer Qty and Size	(1) 8" (203mm)
HF Transducer Qty and Size	(1) 3" (76mm)
HF Crossover Frequency	2,800Hz, First Order
Voice Coil Size	1" (25mm)
Cone Material	Curvilinear, Treated Industrial Paper
Sensitivity	98dB SPL Average
Amplification	
Type	Single-Channel Class D Topology with Primary and Secondary Outputs
AC Power Input	PoE or PoE+ and External 24VDC
Power Rating (RMS)	12 Watts Max (802.3AF) / 25 Watts Max (802.3AT)
THD	<0.2%
Cooling	Passive / Convection
Driver Protection	Built-In Limiter
Microphone	
Sensitivity	Minus 35 (±4dB) / (0db = 1V/pa, 1kHz)
Impedance	Less than 2.2kΩ
Directivity	Omnidirectional
Frequency Range	20Hz – 20kHz
Standard Operation Voltage	2V
Max. Operation Voltage	10V
Current Consumption Max.	0.5 mA
Sensitivity Reduction Within	Minus 3dB @ 1.5V
S/N Ratio	More than 62dB
Audio Inputs and Outputs	
Input: Analog Audio Type(s)	One Balanced Line Level
Input: Analog Connectivity	Secured Screw Terminal Block
Input: Network Audio Type(s)	G.711 U-Law / A-Law and G.722 Capable
Input: Network Connectivity	RJ-45 Female
Output: Analog Audio Type(s)	One Balanced Line Level
Output: Analog Connectivity	Secured Screw Terminal Block
Output: Digital Audio Type(s)	G.711 U-Law / A-Law and G.722 Capable (Multicast)
Output: Digital Connectivity	N/A
Output: Speaker Level	8Ω, 12W (802.3AF), 25W (802.3AT)
Output: Speaker Connectivity	Primary and Slave Secured Screw Terminal Block
Software	
GCK Compatible Version	3.0+
InformaCast Advanced Compatible Version	8.0+
InformaCast Fusion Compatible Version	3.0+
SA-Announce Compatible Versions	9.0.18+

©2019 Atlas Sound LP. The Atlas "Circle A", Soundolier, and Atlas Sound are trademarks of Atlas Sound L.P. IED is a Registered Trademark of Innovative Electronic Designs LLC. All rights reserved. All other Trademarks are property of their respective owners. No endorsement is implied. Due to continual product development, specifications are subject to change without notice. ATSO05787 RevC 2/19

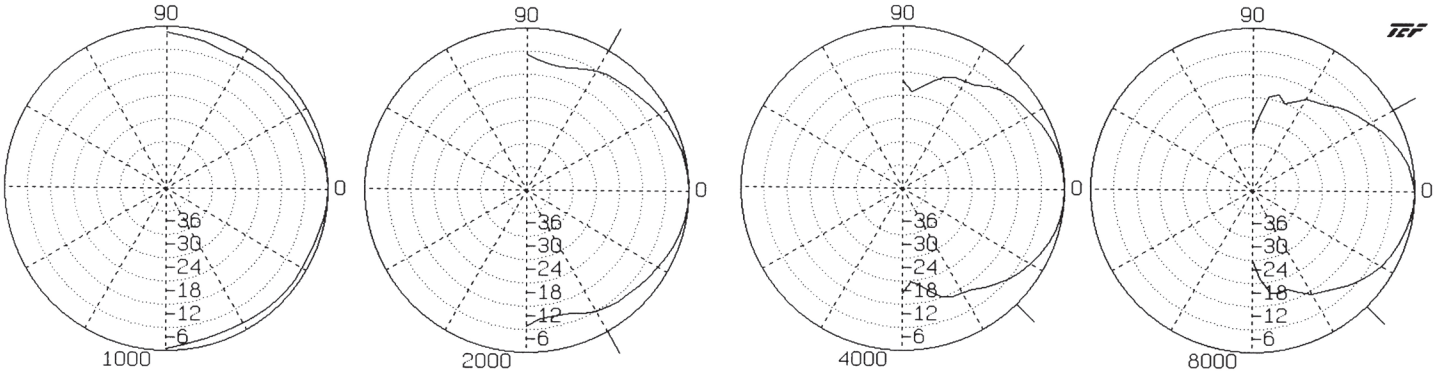
Network	
Ethernet	IEEE 802.3 10/100Base-T
PoE	IEEE 802.3 AF/AT Compliant
VLAN	IEEE 802.1q Tagging
Protocols	
IP Addressing	DHCP / Static
Auto-Provisioning	HTTP / TFTP
Auto-Registration	HTTP / Service Location Protocol / IEDNet
Time	NTP or Host Server
Telephony	SIP
Enclosure	
Color	White
Grille Material	Powder Coated Steel
Baffle Material	Plastic
Mounting / Rigging Provisions	4 x Screws
Safety Agency Ratings	ETL Listed to Comply with 62368-1, CSA C22.2 #62368-1, IEC 62368-1 CB Scheme and FCC
Ingress Protection	N/A
Logo	One Color Print
Product Dimensions (HxWxD)	14.37" x 12.87" x 3.42" (365mm x 327mm x 87mm)
Shipping Dimensions (HxWxD)	15.5" x 13.9" x 5.5" (394mm x 353mm x 140mm)
Net Weight - lbs	4.25lb (1.92kg)
Shipping Weight - lbs	6.37lb (2.89kg)
Warranty Coverage	
Warranty Period	1 Year

**NOTES:**

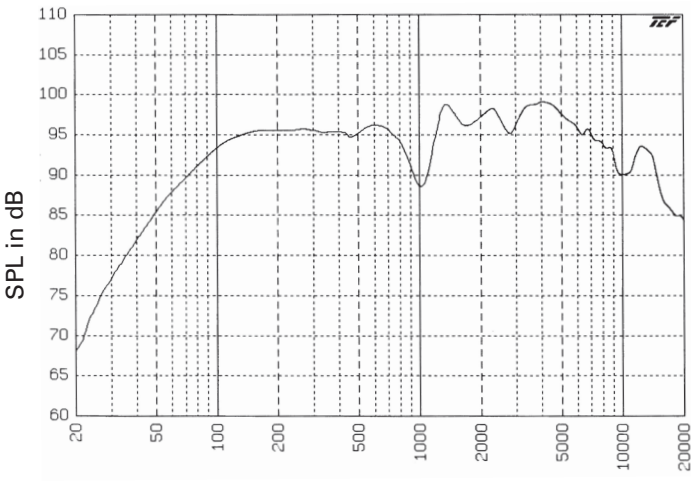
1. Sensitivity: Half space pink noise measurement at 6 ft (1.8 m) at 20% power; extrapolated to 1 meter and an input of 2.83 volts RMS.
2. Watts: All wattage figures are calculated using the rated nominal impedance.
3. Frequency response and sensitivity are half-space measurements.

©2019 Atlas Sound LP. The Atlas "Circle A", Soundolier, and Atlas Sound are trademarks of Atlas Sound L.P. IED is a Registered Trademark of Innovative Electronic Designs LLC. All rights reserved. All other Trademarks are property of their respective owners. No endorsement is implied. Due to continual product development, specifications are subject to change without notice. ATSO05787 RevC 2/19

**Polars Are Normalized To Zero On Axis (-6dB)**

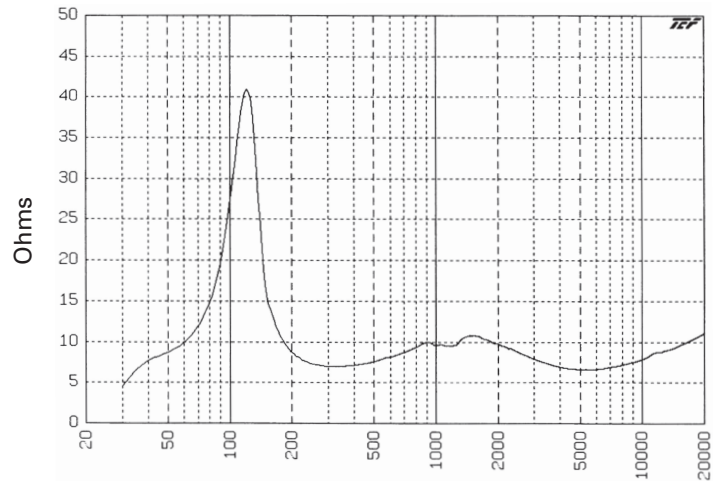


**Frequency Response**



Frequency (Hz)

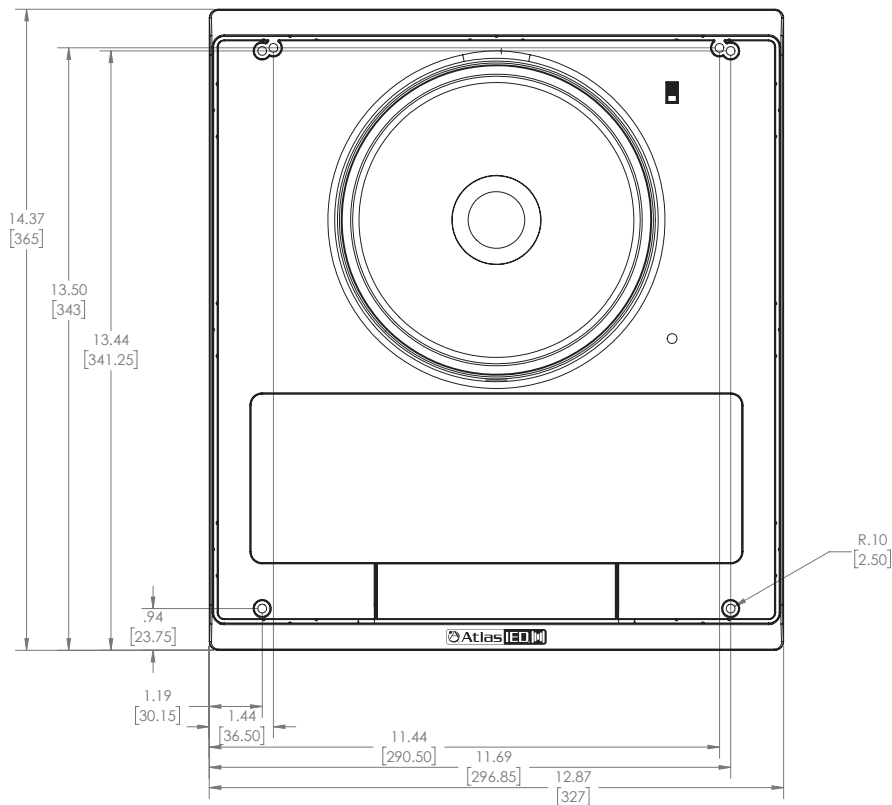
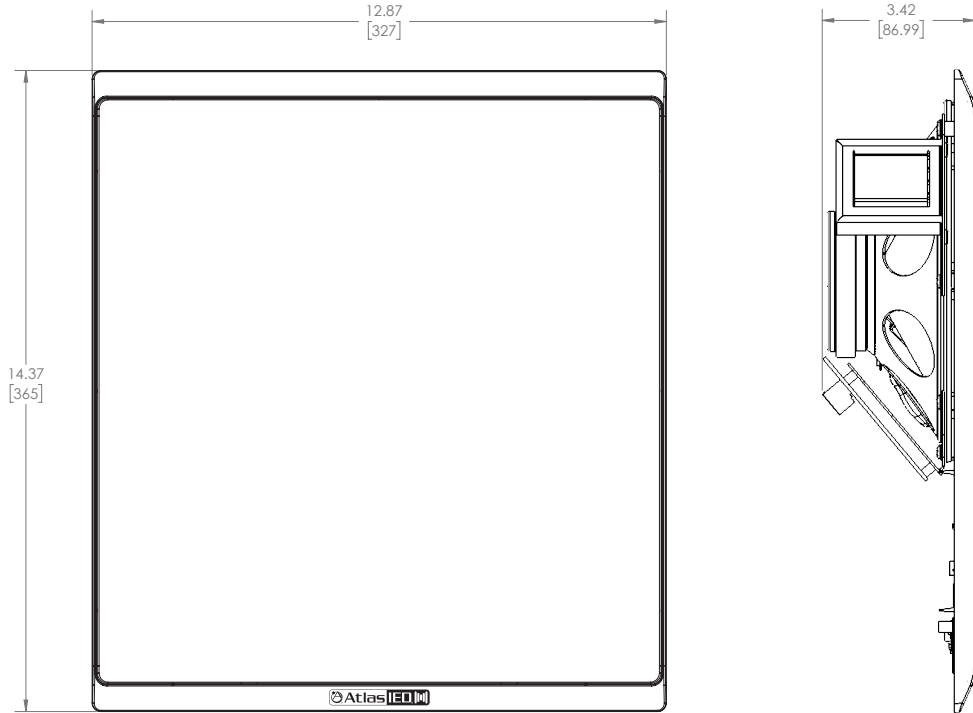
**Impedance**



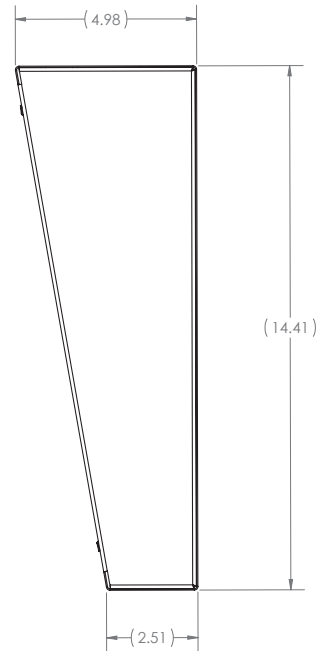
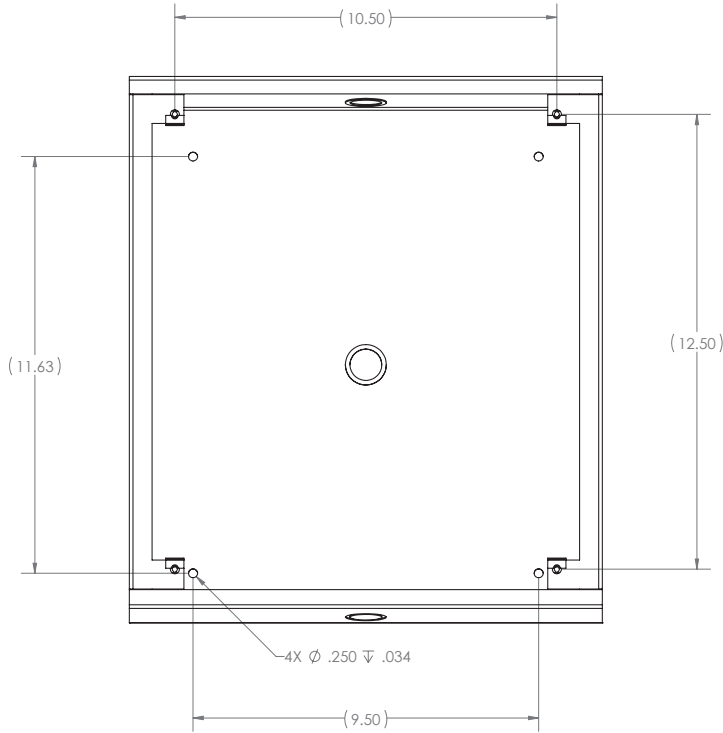
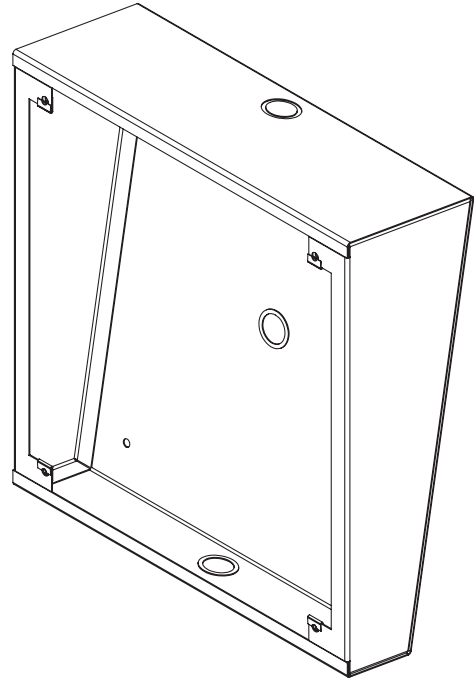
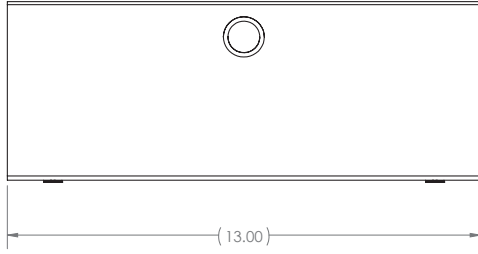
Frequency (Hz) Octave Smoothing = 30.0%

©2019 Atlas Sound LP. The Atlas "Circle A", Soundolier, and Atlas Sound are trademarks of Atlas Sound L.P. IED is a Registered Trademark of Innovative Electronic Designs LLC. All rights reserved. All other Trademarks are property of their respective owners. No endorsement is implied. Due to continual product development, specifications are subject to change without notice. ATSO05787 RevC 2/19

## Dimensional Drawings

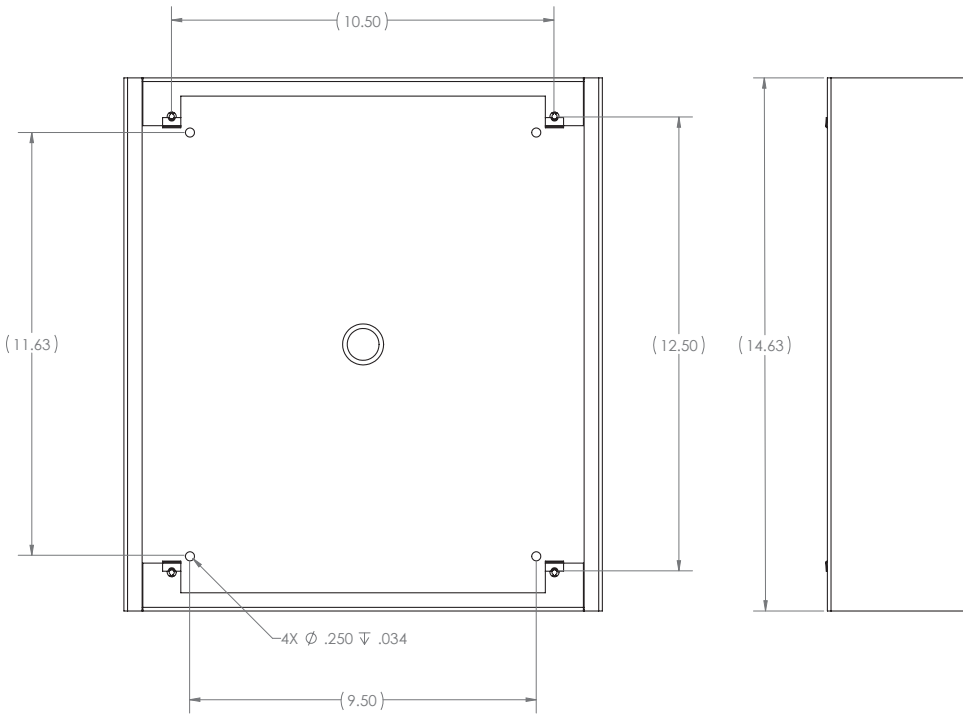
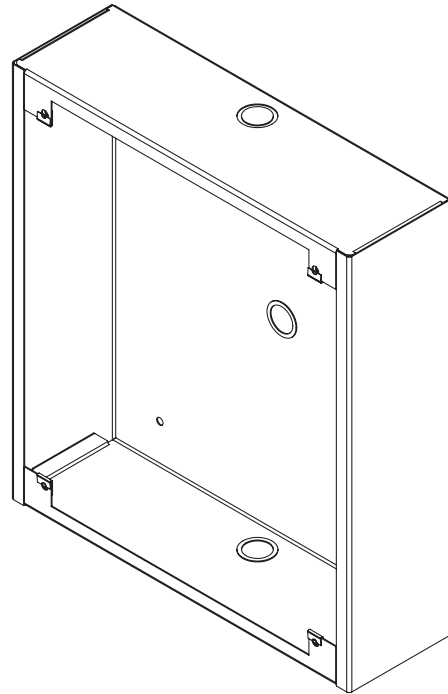
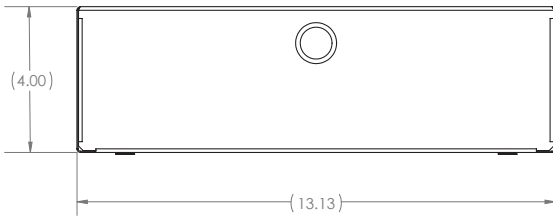


Accessories  
IP-SEA-SD



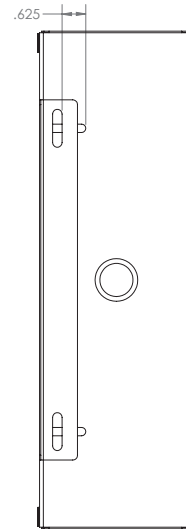
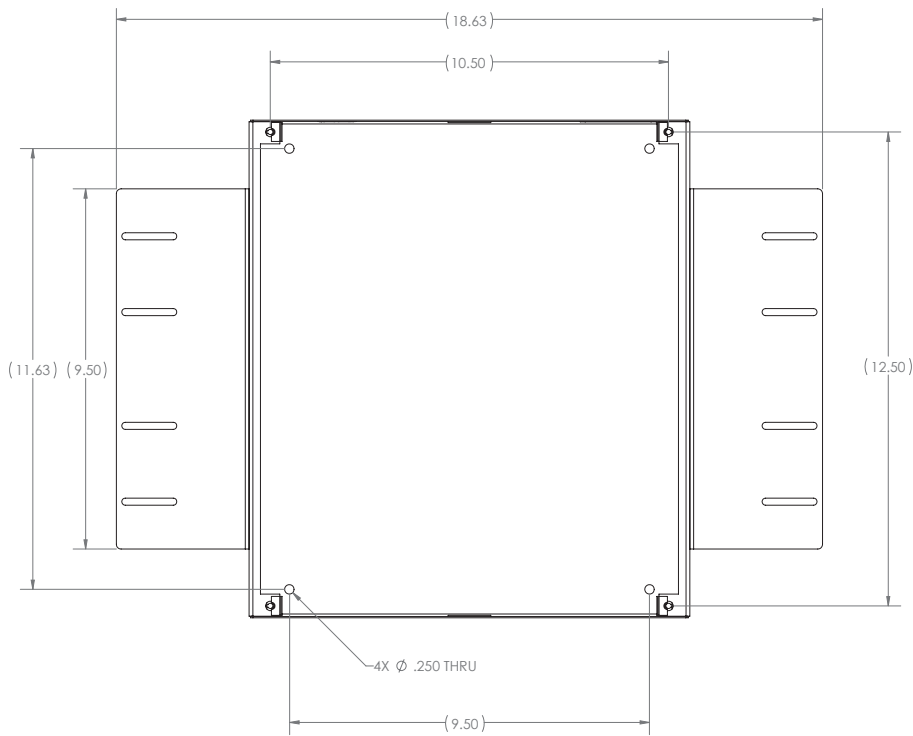
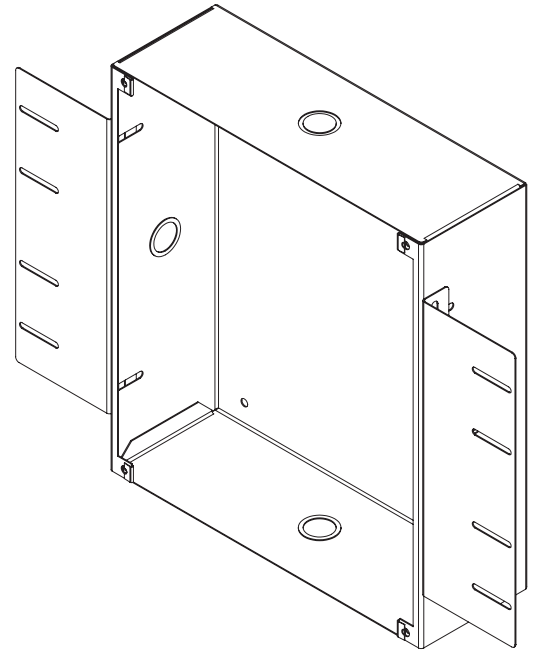
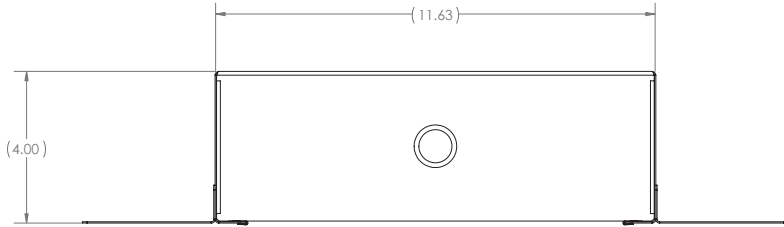
©2019 Atlas Sound LP. The Atlas "Circle A", Soundlier, and Atlas Sound are trademarks of Atlas Sound L.P. IED is a Registered Trademark of Innovative Electronic Designs LLC. All rights reserved. All other Trademarks are property of their respective owners. No endorsement is implied. Due to continual product development, specifications are subject to change without notice. ATSO05787 RevC 2/19

Accessories  
IP-SEST-SD



Accessories

IP-FEST-SD



©2019 Atlas Sound LP. The Atlas "Circle A", Soundlier, and Atlas Sound are trademarks of Atlas Sound L.P. IED is a Registered Trademark of Innovative Electronic Designs LLC. All rights reserved. All other Trademarks are property of their respective owners. No endorsement is implied. Due to continual product development, specifications are subject to change without notice. ATSO05787 RevC 2/19

## Architect and Engineer Specifications

The unit shall be AtlasIED model IP-SM. The PoE+ Indoor IP Endpoint Speaker System shall include factory assembled speaker, IP addressable PCB amplifier / control, plastic baffle, and integrated microphone.

The speaker shall be an 8" Coaxial driver with low-frequency reproducer cone shall be a full 8" (203mm) in diameter and the high frequency reproducer cone shall be 3" (76mm) in diameter. The woofer shall have a 10oz. (260g) ceramic magnet; the tweeter shall have a 2.35oz. (67g) ceramic magnet. The two reproducer sections shall be coupled through a built-in crossover network.

The crossover frequency shall be at 2800Hz. The speaker dispersion shall be 105° and frequency response range shall be 86Hz – 15.5kHz, (±5dB). Sensitivity shall be 98dB at 1 Watt / 1 meter. Voice coil impedance shall be 8Ω. Low frequency voice coil diameter shall be 1" (25mm) and operate in a magnet field of at least 10,600 gauss. The maximum depth of the loudspeaker shall not exceed 2<sup>7</sup>/<sub>8</sub>" (73mm).

The amplifier / control board shall receive announcements and messages using dynamically routed data on a standard Ethernet Network. It shall include a Single-Channel Class D Topology amplifier with Primary and Secondary Outputs capable of producing 25-watts RMS when using an IEEE 802.3at compatible PoE+ switch or 24VDC local power supply and 12-watts RMS when used with an IEEE 802.3af compliant PoE switch. Interconnect shall be via female RJ-45 connector mounted to the PCB.

The amplifier / control board shall include (2) logic inputs, (1) relay output, (1) Auxiliary Balanced line level audio input and (1) Balanced line level audio output. The Auxiliary Line Level input shall include an auto mute function that is activated when a broadcast is sensed from the control application.

The amplifier / control board shall include a Graphical User Interface (GUI) for SIP configuration. The SIP implementation shall support standards G.711, G.722 and RTP protocols. The Graphical User Interface (GUI) shall configure and manage logic inputs, relay outputs, and Auxiliary audio input.

The unit shall incorporate an integrated microphone to allow full duplex talkback communication functionality based upon chosen software platform.

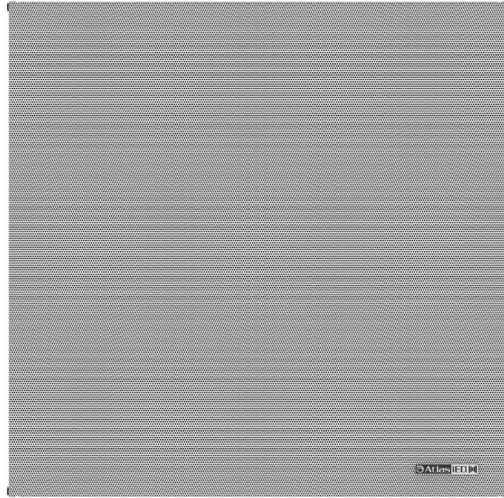
All control functionality shall be determined via software. It shall be compatible with AtlasIED's GCK, Syn-Apps' Revolution, Singlewire's InformaCast software platforms and SIP standalone operation. The PoE+ Indoor IP Endpoint Speaker System overall dimensions shall be 14.37" (365mm) x 12.87" (327mm) x 3.42" (87mm). Finish shall be neutral white electrostatic powder coat micro perforated grille with plastic trim ring.

Optional enclosures shall include:

IP-SEA-SD	Surface mount angled enclosure for IP-SM neutral white finish
IP-SEST-SD	Surface mount straight enclosure for IP-SM neutral white finish
IP-FEST-SD	Flush mount straight enclosure for IP-SM reclaimed powder coat finish

# IP-22SYSM

*PoE+ Indoor 2' x 2' Suspended Ceiling Mount IP Speaker with Microphone*



## Features

### Network Features

- Dynamic or Static IP Address
- IEEE 802.3 10/100Base-T Ethernet
- IEEE 802.1q Tagging
- IEEE 802.3af and 802.3at Compliant

### Audio Codec Support

- G.711 u-law / a-law (16 kbit/s)
- G.729 Wideband Audio (64 kbit/s)

### Auto Provisioning

- DHCP Option 66, 150, or TFTP Server
- DHCP Option 72 for HTTP Server

### Auto Registration

- SLP for InformaCast
- DHCP Option 72 for Syn-Apps' Revolution or GCK

### Static Configuration

- HTTP GUI for Static Configuration
- Cisco SRST

### Audio Features

- Integrated Amplifier
- Aux Audio Line-In Balanced (2.8Vpp 10K)
- Aux Audio Line-Out Balanced (2.8Vpp 10K)

### Additional Features

- 2 General Purpose Inputs
- 1 General Purpose Output (2A @ 30 VDC)
- Phone / Night Loud Ringer
- External Power Supply Option
- Highly Efficient Horn Speaker Provides Greater Output and Coverage
- Integrated Microphone Allows for Half-Duplex or Full-Duplex Paging Based on Software Platform

## General Description

AtlasIED IP-22SYSM is a 2' x 2' suspended ceiling mount IP speaker with integrated microphone. It compliments the Unified Communications (VoIP Communications) investment including on-premises and hosted infrastructure platforms so that information can be pushed to spaces beyond the world of desktop telephony communication and breaking any traditional audio-path barriers.

## Applications

AtlasIED IP-22SYSM registers as a communication endpoint directly within InformaCast, GCK, and Syn-Apps' Revolution advanced notification applications, supporting audio broadcast to enhance physical security while improving day-to-day communications through advanced alerting, bell schedules, pre-recorded & scheduled announcements, while leveraging the WAN or LAN network architecture.

When used within a Cisco environment, the IP-22SYSM speakers can join Cisco's Unified Survivable Remote Site Telephony (SRST) as a supported device. Cisco's SRST provides remote location call-processing redundancy when access to the centralized Cisco Unified Communications Manager is interrupted because of a WAN outage. The ability of LAN communication between any combination of phones and speakers is particularly critical during an emergency (which may be the actual cause of the WAN outage).

Where 3rd party notification applications are not required, the IP-22SYSM suspended ceiling mount speaker with integrated microphone can register as SIP devices directly to a SIP server or VoIP Communications Manager for critical alerts and public address applications.

System	
Type	PoE+ Indoor 2' x 2' Suspended Ceiling Mount IP Speaker with Microphone
Indicators	Network Status (On Back)
Frequency Response (+/- 5dB)	86Hz - 15.5kHz
Vertical Coverage	105° (2kHz Octave Band, -6dB Points)
Horizontal Coverage	105° (2kHz Octave Band, -6dB Points)
Directivity Factor (Q)	17 @ 2 kHz
Max SPL at 1m (Passive)	110dB SPL Continuous
General Purpose Interface	Two Trigger Inputs / One Relay Output (2A @ 30 VDC)
Transducers	
LF Transducer Qty and Size	(1) 8" (203mm)
HF Transducer Qty and Size	(1) 3" (76mm)
HF Crossover Frequency	2,800Hz, First Order
Voice Coil Size	1" (25mm)
Cone Material	Curvilinear, Treated Industrial Paper
Sensitivity	98dB SPL Average
Amplification	
Type	Single-Channel Class D Topology
AC Power Input	PoE or PoE+ and External 24VDC
Power Rating (RMS)	15 Watts Max (802.3AT)
THD	<.02%
Cooling	Passive / Convection
Driver Protection	Built-In Limiter
Microphone	
Sensitivity	Minus 35 (±4dB) / (0db = 1V/pa, 1 kHz)
Impedance	Less than 2.2kΩ
Directivity	Omnidirectional
Frequency Range	20Hz – 20kHz
Standard Operation Voltage	2V
Max. Operation Voltage	10V
Current Consumption Max.	0.5 mA
Sensitivity Reduction Within	Minus 3dB @ 1.5V
S/N Ratio	More than 62dB
Audio Inputs and Outputs	
Input: Analog Audio Type(s)	One Balanced Analog
Input: Analog Connectivity	Secured Screw Terminal Block
Input: Network Audio Type(s)	G.711 U-Law / A-Law and G.722 Capable
Input: Network Connectivity	RJ-45 Female
Output: Analog Audio Type(s)	One Balance Line Level
Output: Analog Connectivity	Secured Screw Terminal Block
Output: Digital Audio Type(s)	G.711 U-Law / A-Law and G.722 Capable (Multicast)
Output: Digital Connectivity	N/A
Output: Speaker Level	8Ω, 9W (802.3AF), 15W (802.3AT)
Output: Speaker Connectivity	Two x Secured Screw Terminal Block
Software	
GCK Compatible Version	3.0+
InformaCast Advanced Compatible Version	8.0+
InformaCast Fusion Compatible Version	3.0+
SA-Announce Compatible Versions	9.0.18+

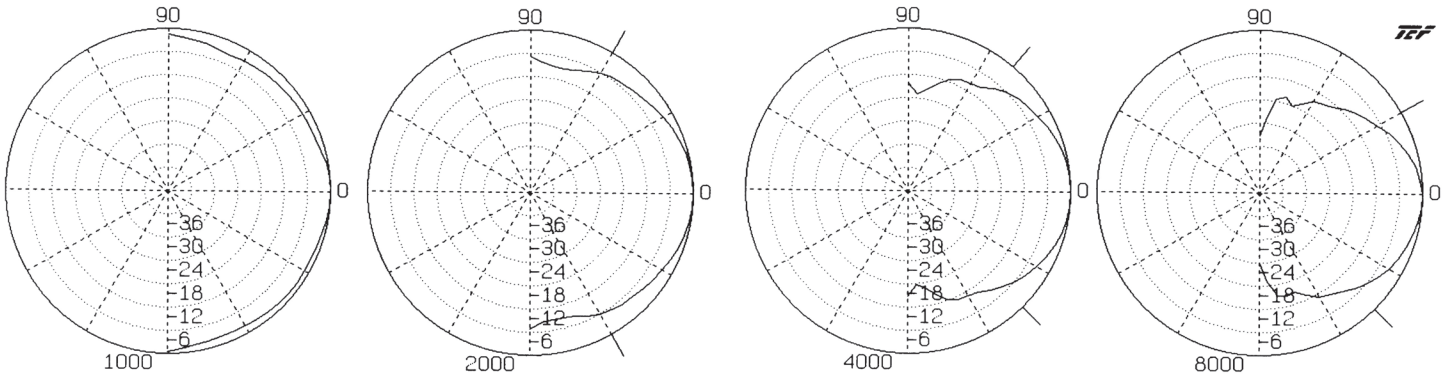
<b>Network</b>	
Ethernet	IEEE 802.3 10/100Base-T
PoE	IEEE 802.3 AF/AT Compliant
VLAN	IEEE 802.1q Tagging
<b>Protocols</b>	
IP Addressing	DHCP / Static
Auto-Provisioning	HTTP / TFTP
Auto-Registration	HTTP / Service Location Protocol / IEDNet
Time	NTP
Telephony	SIP
<b>Enclosure</b>	
Color	White
Grille Material	Powder Coated Steel with 22-Guage Perforated Steel
Baffle Material	19-Guage Corrosion-Resistant Zinc Plated Steel
Mounting / Rigging Provisions	Lay-In Into a Reflected Ceiling Grid
Safety Agency Ratings	ETL Listed to Comply with 62368-1, CSA C22.2 #62368-1, IEC 62368-1 CB Scheme and FCC; UL2043
Ingress Protection	N/A
Logo	Black and Silver
Product Dimensions (HxWxD)	23.68" x 24.10" x 5.06" (601mm x 612 mm x 129mm)
Shipping Dimensions (HxWxD)	25.5" x 25.5" x 8.38" (648mm x 648mm x 213mm)
Net Weight - lbs	15.12lb (6.86kg)
Shipping Weight - lbs	20.91lb (9.48kg)
<b>Warranty Coverage</b>	
Warranty Period	1 Year

**NOTES:**

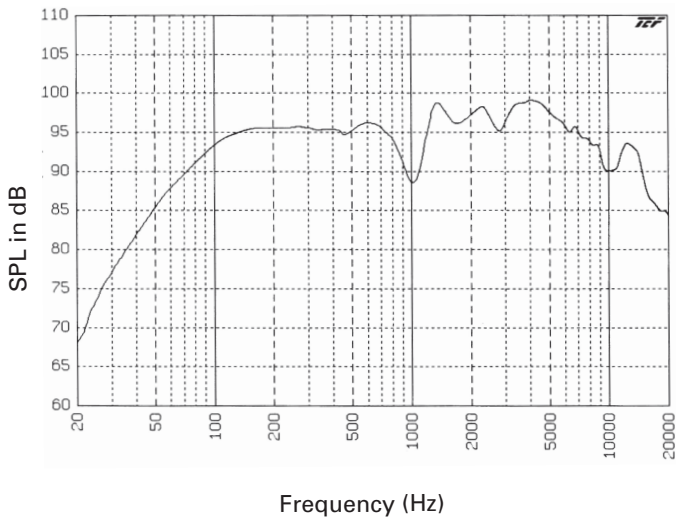
1. Sensitivity: Half space pink noise measurement at 6 ft (1.8 m) at 20% power; extrapolated to 1 meter and an input of 2.83 volts RMS.
2. Watts: All wattage figures are calculated using the rated nominal impedance.
3. Frequency response and sensitivity are half-space measurements.

©2019 Atlas Sound LP. The Atlas "Circle A", Soundolier, and Atlas Sound are trademarks of Atlas Sound L.P. IED is a Registered Trademark of Innovative Electronic Designs LLC. All rights reserved. All other Trademarks are property of their respective owners. No endorsement is implied. Due to continual product development, specifications are subject to change without notice. ATSO05793 RevD 6/19

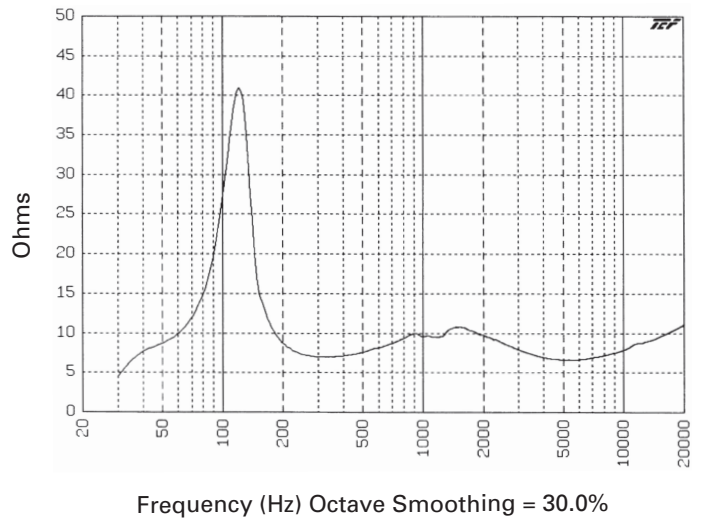
**Polars Are Normalized To Zero On Axis (-6dB)**



**Frequency Response**

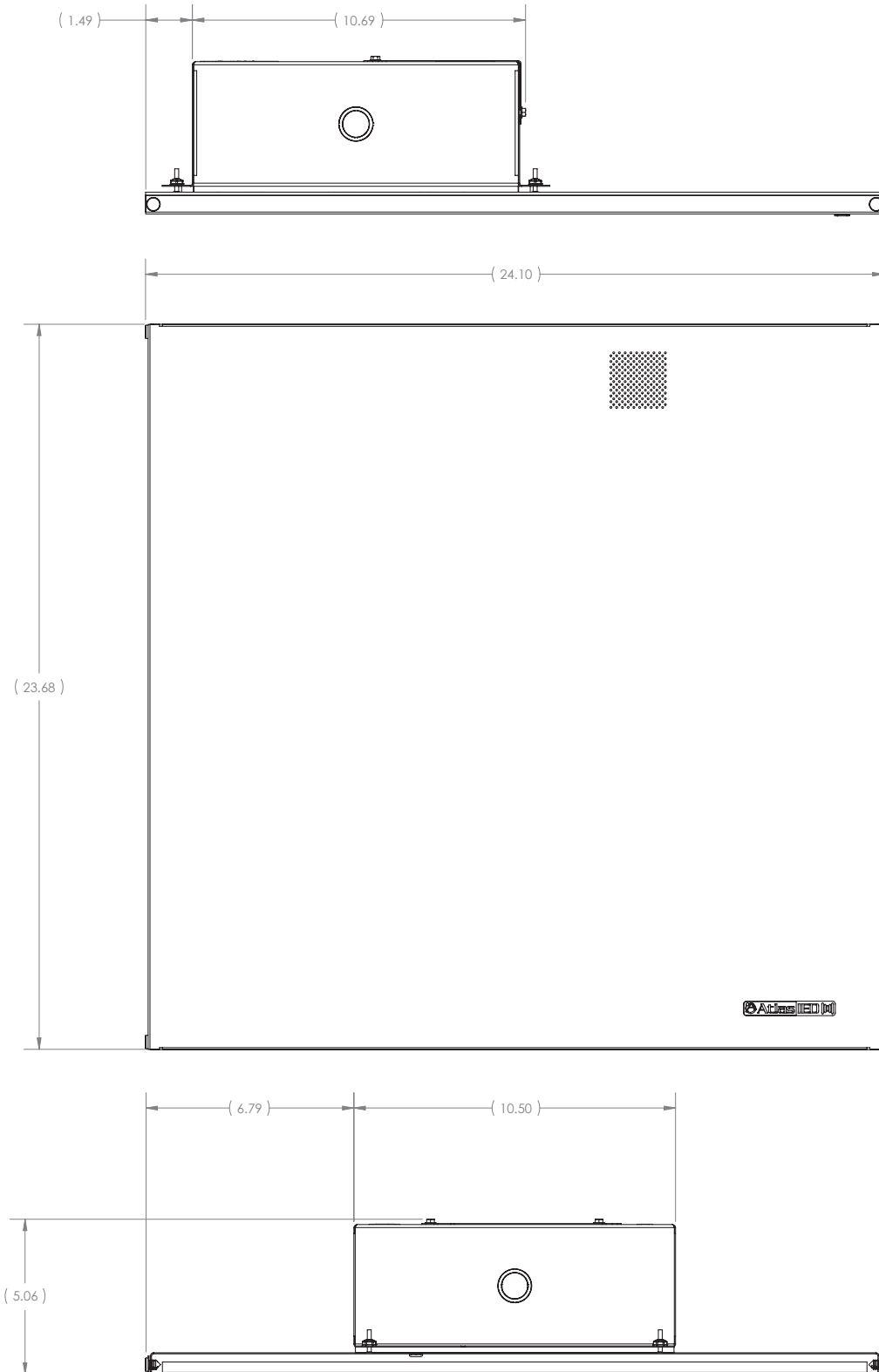


**Impedance**



©2019 Atlas Sound LP. The Atlas "Circle A", Soundolier, and Atlas Sound are trademarks of Atlas Sound L.P. IED is a Registered Trademark of Innovative Electronic Designs LLC. All rights reserved. All other Trademarks are property of their respective owners. No endorsement is implied. Due to continual product development, specifications are subject to change without notice. ATSO05793 RevD 6/19

## Dimensional Drawings



©2019 Atlas Sound LP. The Atlas "Circle A", Soundlier, and Atlas Sound are trademarks of Atlas Sound L.P. IED is a Registered Trademark of Innovative Electronic Designs LLC. All rights reserved. All other Trademarks are property of their respective owners. No endorsement is implied. Due to continual product development, specifications are subject to change without notice. ATSO05793 RevD 6/19

## Architect and Engineer Specifications

The unit shall be AtlasIED model IP-22SYSM. The PoE+ Indoor 2' x 2' Suspended Ceiling Mount IP Endpoint Speaker System shall include factory assembled speaker, IP addressable PCB amplifier / control, steel perf grille, and integrated microphone.

The speaker shall be an 8" Coaxial driver with low-frequency reproducer cone shall be a full 8" (203mm) in diameter and the high frequency reproducer cone shall be 3" (76mm) in diameter. The woofer shall have a 10oz. (260g) ceramic magnet; the tweeter shall have a 2.35oz. (67g) ceramic magnet. The two reproducer sections shall be coupled through a built-in crossover network.

The crossover frequency shall be at 2800Hz. The speaker dispersion shall be 105° and Frequency response range shall be 86Hz – 15.5kHz, (±5dB). Sensitivity shall be 98dB at 1 Watt / 1 meter. Voice coil impedance shall be 8Ω. Low frequency voice coil diameter shall be 1" (25mm) and operate in a magnet field of at least 10,600 gauss. The maximum depth of the loudspeaker shall not exceed 2<sup>7</sup>/<sub>8</sub>" (73mm).

The amplifier / control board shall receive announcements and messages using dynamically routed data on a standard Ethernet Network. It shall include a Single-Channel Class D Topology amplifier with Primary and Secondary Outputs capable of producing 25-watts RMS when using an IEEE 802.3at compatible PoE+ switch or 24VDC local power supply and 12-watts RMS when used with an IEEE 802.3af compliant PoE switch. Interconnect shall be via female RJ-45 connector mounted to the PCB.

The amplifier / control board shall include (2) logic inputs, (1) relay output, (1) Auxiliary Balanced line level audio input and (1) Balanced line level audio output. The Auxiliary Line Level input shall include an auto mute function that is activated when a broadcast is sensed from the control application.

The amplifier / control board shall include a Graphical User Interface (GUI) for SIP configuration. The SIP implementation shall support standards G.711, G.722 and RTP protocols. The Graphical User Interface (GUI) shall configure and manage logic inputs, relay outputs, and Auxiliary audio input.

The unit shall incorporate an integrated microphone to allow full duplex talkback communication functionality based upon chosen software platform.

All control functionality shall be determined via software. It shall be compatible with AtlasIED's GCK, Syn-Apps' Revolution, Singlewire's InformaCast software platforms and SIP standalone operation. The PoE+ Indoor 2' x 2' Suspended Ceiling Mount IP Endpoint Speaker System overall dimensions shall be 23.68" (601mm) x 24.1" (612mm) x 5.06" (128mm). Finish shall be neutral white electrostatic powder coat micro perforated grille.

# IP-APX

## PoE+ Weather Resistant Constant Directivity IP Horn with Rotating Bell and Wall/Pole Mount



### Features

#### Network Features

- Dynamic or Static IP Address
- IEEE 802.3 10/100Base-T Ethernet
- IEEE 802.1q Tagging
- IEEE 802.3at Compliant

#### Audio Codec Support

- G.711 u-law / a-law (16 kbit/s)
- G.729 Wideband Audio (64 kbits/s)

#### Auto Registration

- SLP for Singlewire Applications
- DHCP Option 72 for Syn-Apps / Intrado Applications
- IEDNet+ for AtlasIED Applications

#### Static Configuration

- HTTP GUI for Static Configuration

#### Audio Features

- Integrated Amplifier with Secondary 8 output
- Aux Audio Line-In Balanced (2.8Vpp 10K)
- Aux Audio Line-Out Balanced (2.8Vpp 10K)

#### Additional Features

- 2 General Purpose Inputs
- 1 General Purpose Output (2A @ 30 VDC)
- Phone / Night Loud Ringer
- External Power Supply Option
- Highly Efficient Horn Speaker Provides Greater Output and Coverage

### General Description

AtlasIED IP-APX is a weather resistant constant directivity high-output IP horn with rotating bell and wall / pole mount. It compliments the Unified Communications (VoIP Communications) investment including on-premises and hosted infrastructure platforms so that announcements can be pushed to people and spaces beyond the world of desktop telephony communication, breaking any traditional audio-path barriers.

The AtlasIED IP-APX IP Endpoint features a 60° x 40° constant-dispersion pattern across the controlled frequency band of 1.25-10 kHz. The rotating bell pivots in precise 15° increments for exact on-site positioning of projection angles. A triple lock security mounting method saves installation time and provides long-term stability.

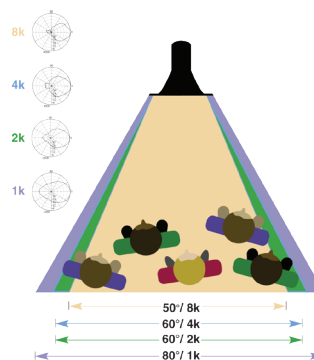
### Applications

AtlasIED IP-APX registers as a communication endpoint directly within Singlewire®, AtlasIED®, Syn-Apps® and Intrado® notification applications, supporting audio broadcast to enhance physical security while improving day-to-day communications through advanced alerting, bell schedules and pre-recorded & scheduled announcements, while leveraging the wide area network (WAN) or local area network (LAN) architecture.

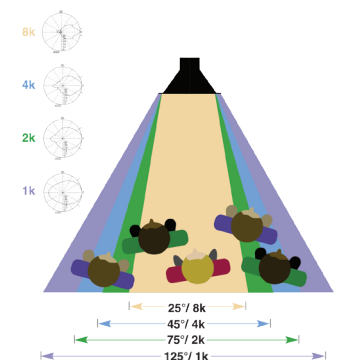
AtlasIED IP-APX supports Call Manager publisher subscriber SIP Service call processing failover. This service provides remote location call-processing redundancy when access to the centralized Call Manager is interrupted because of a WAN outage. In Cisco® UMC environment, IPX endpoints can register to either Cisco's basic or advanced 3rd party SIP device service for paging functionality. IPX must use Cisco's advanced 3rd party SIP device service when registering to a publisher subscriber configuration.

IP-APX endpoint can register as a SIP device directly to a SIP device directly to a SIP server or VoIP Communications Manager for critical alerts and public address applications.

**APX Beamwidth**  
Controlled Coverage  
Across a Wide Freq. Range



**Conventional Horn Beamwidth**  
Collapsing Coverage  
Across a Wide Freq. Range



System	
Type	PoE+ Weather Resistant Constant Directivity IP Horn with Rotating Bell and Wall / Pole Mount
Operation Temp	20°C (-4°F) to 70°C (158°F)
Indicators	Network Status (On Control Board)
Frequency Response (+/- 5dB)	400 - 7,500 Hz (Nominal)
Vertical Coverage	40° (-6dB, 2000 Hz Octave Band)
Horizontal Coverage	60° (-6dB, 2000 Hz Octave Band)
Directivity Factor (Q)	26 @ 2 kHz
Max SPL at 1m	121dB at 25 Watts (Peak)
General Purpose Interface	Two Trigger Inputs / One Relay Output (2A @ 30 VDC)
Transducers	
LF Transducer Qty and Size	N/A
HF Transducer Qty and Size	(1) 14.62" (371.35mm) X 10.13" (257.3mm) Bell with Double Entrant Compression Driver
HF Crossover Frequency	400 Hz
Voice Coil Size	1.25" (32mm)
Cone Material	High-Impact, Neutral- Grey Polycarbonate Resin with UV Light Inhibitor
Sensitivity	107dB at 1 Watt / 1 Meter Average
Amplification	
Type	Single-Channel Class D Topology with Primary and Secondary Outputs
AC Power Input	PoE+ and External 24VDC
Power Rating (RMS)	25 Watts Max (802.3at)
THD	<0.2%
Cooling	Passive / Convection
Driver Protection	Built-In Limiter and HP Filter
Audio Inputs and Outputs	
Input: Analog Audio Type(s)	One Balanced Line Level
Input: Analog Connectivity	Secured Screw Terminal Block
Input: Network Audio Type(s)	G.711 U-Law / A-Law and G.722 Capable
Input: Network Connectivity	RJ-45 female
Output: Analog Audio Type(s)	One Balanced Line Level
Output: Analog Connectivity	Secured Screw Terminal Block
Output: Digital Audio Type(s)	G.711 U-Law / A-Law and G.722 Capable (Multicast)
Output: Digital Connectivity	N/A
Output: Speaker Level	8 , 25W (802.3at)
Output: Speaker Connectivity	Primary and Slave Secured Screw Terminal Block
Software	
AtlasIED GCK Compatible Version	7.0+
InformaCast Advanced Compatible Version	4.0+
InformaCast Fusion Compatible Version	3.0+
Syn-Apps SA-Announce Compatible Versions	9.0.18+
Intrado Revolution Compatible Versions	V2017.3.1+
Network	
Ethernet	IEEE 802.3 10/100Base-T
POE	IEEE 802.3at Compliant
VLAN	IEEE 802.1q Tagging

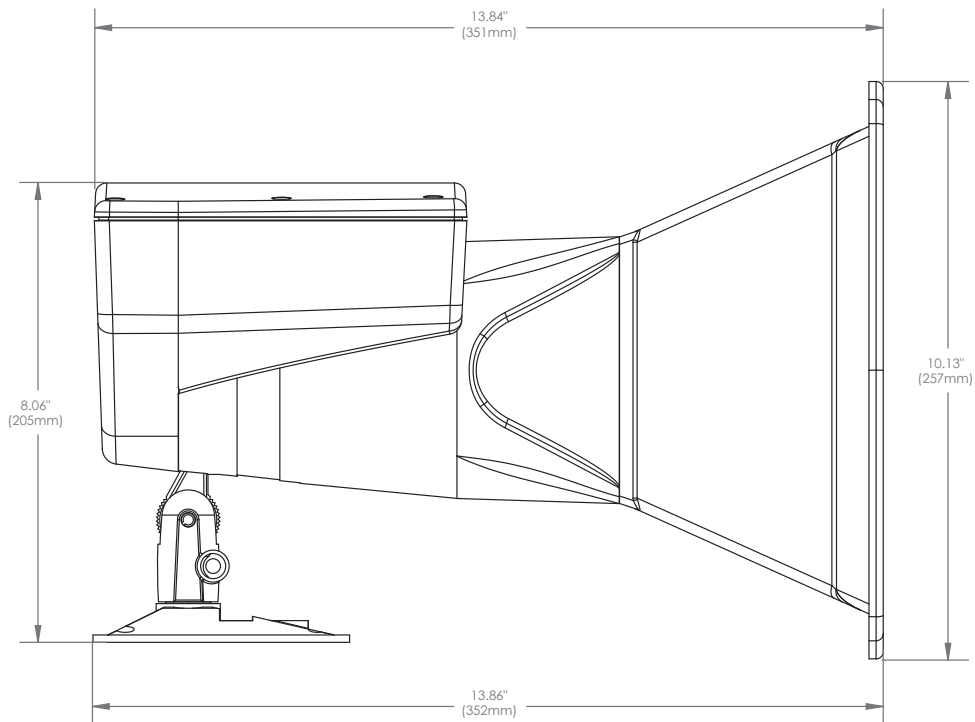
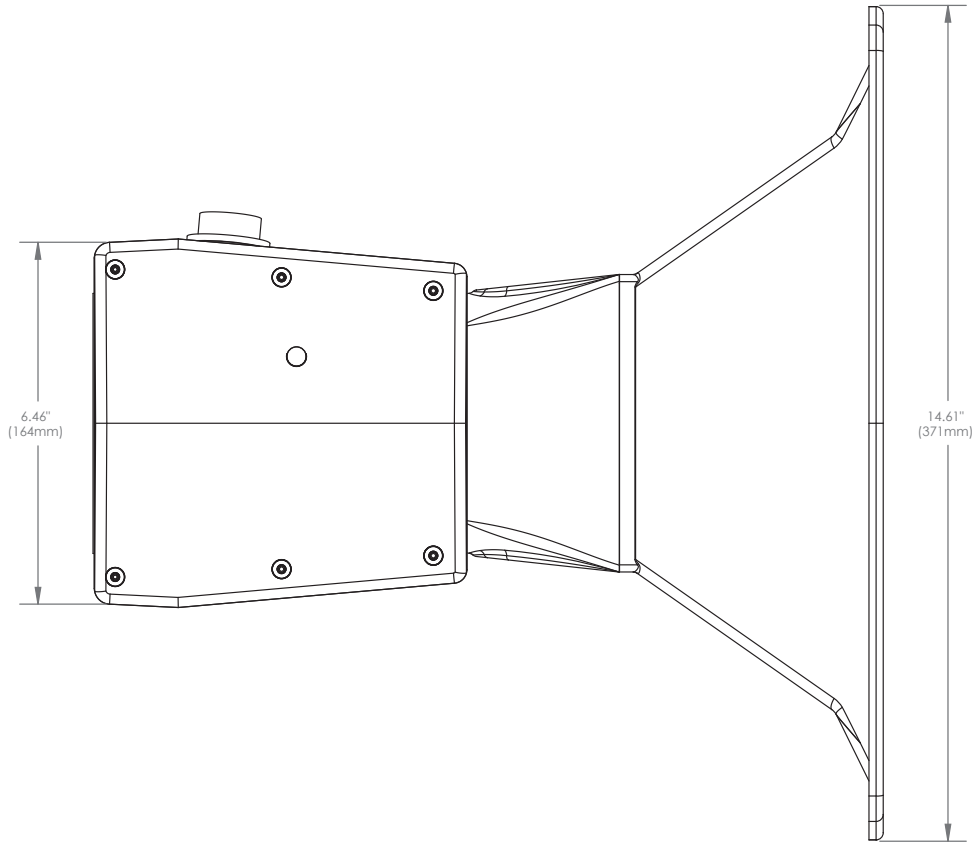
©2022 Atlas Sound L.P. The Atlas "Circle-A", Soundolier, and Atlas Sound are trademarks of Atlas Sound L.P. IED is a Registered Trademark of Innovative Electronic Designs LLC. All rights reserved. All other Trademarks are property of their respective owners. No endorsement is implied. Due to continual product development, specifications are subject to change without notice. ATSO06631 Rev E 10/22

Protocols	
IP Addressing	DHCP / Static
LLDP-MED	PoE Power Negotiation
Auto-Registration	HTTP / Service Location Protocol / IEDNet+ / DHCP Option 72
Time	NTP or Host Server
Telephony	SIP
Enclosure	
Color	Pantone Warm Gray 3 C - RAL 7044
Grille Material	N/A
Baffle Material	N/A
Mounting / Rigging Provisions	Sturdy Die-Cast Base May Be Mounted to 1-gang, 2-gang, and 4" Square E.O. or Band to Pole
Safety Agency Ratings	ETL Listed to Comply with 62368-1, CSA C22.2 #62368-1, IEC 62368-1 CB Scheme and FCC
Ingress Protection	IP-56
Logo	Blue
Product Dimensions (HxWxD)	8.02" x 14.61" x 13.86" (204mm x 371mm x 352mm)
Shipping Dimensions (HxWxD)	14.25" x 14.875" x 10.32" (362mm x 377.8 mm x 262.1mm)
Net Weight - lbs	6.45 lbs (2.92 kg)
Shipping Weight - lbs	7.75 lbs (3.51kg)
Warranty Coverage	
Warranty Period	1 Year

**NOTES:**

1. Sensitivity: Half space pink noise measurement at 6ft (1.8 m) at 20% power; extrapolated to 1 meter and an input of 2.83 volts RMS.
2. Watts: All wattage figures are calculated using the rated nominal impedance.
3. Frequency response and sensitivity are half-space measurements.

## Dimensional Drawings



©2022 Atlas Sound L.P. The Atlas "Circle-A", Soundolier, and Atlas Sound are trademarks of Atlas Sound L.P. IED is a Registered Trademark of Innovative Electronic Designs LLC. All rights reserved. All other Trademarks are property of their respective owners. No endorsement is implied. Due to continual product development, specifications are subject to change without notice. ATSO06631 Rev E 10/22

## Architect and Engineer Specifications

The unit shall be AtlasIED model IP-APX. The PoE+ weather resistant constant directivity IP Horn with rotating bell system shall include factory assembled rotating bell, IP addressable PCB amplifier / control, sturdy die-cast base and an IP56 rating.

The weather resistant constant directivity IP Horn with rotating bell system shall have an overall frequency response of 400-7,500 Hz (nominal), 500-5000 Hz ( $\pm$  5dB). Sound pressure level shall be 107dB at 1 Watt / 1 meter, and max peak output at 1m shall be 121dB SPL. The impedance shall be 8 ohm and a voice coil diameter of 1.25" (32mm).

The horn's rotating bell shall provide a 60° x 40° constant-dispersion pattern across the controlled frequency band of 1.25-10 kHz. The rotating bell shall include pivots in precise 15° increments for exact on-site positioning of projection angles.

The amplifier / control board shall incorporate conformal coating to protect against moisture, dust, chemicals, and temperature extremes. It shall include a single-channel class D topology amplifier with primary and secondary outputs capable of producing 25-watts RMS when using an IEEE 802.3at compatible PoE+ switch or 24VDC local power supply. The secondary output shall share the same factory EQ and crossover settings as the primary output to support an optional passive speaker of the same type. Interconnect shall be via female water-resistant RJ-45 connector mounted to the side of the enclosure.

The amplifier/control board shall include (2) logic inputs, (1) relay output, (1) auxiliary balanced line level audio input and (1) balanced line level audio output. The auxiliary line level input shall include an auto mute function that is activated when a broadcast is sensed from the control application.

The amplifier/control board shall receive announcements and messages using dynamically routed data on a standard Ethernet network. It shall include a Graphical User Interface (GUI) for SIP configuration. The SIP implementation shall support standards G.711, G.722 and RTP protocols. The GUI shall configure and manage logic inputs, relay outputs, and auxiliary audio input.

All control functionalities shall be determined via software. It shall be compatible with AtlasIED's Discovery Tool, AtlasIED's GCK, Syn-Apps' SA-Announce or Intrado's Revolution, Singlewire's InformaCast software platforms and SIP standalone.

The PoE+ weather resistant constant directivity IP Horn with rotating bell system shall be Molded of High-Impact, Neutral- Grey Polycarbonate Resin with UV Light Inhibitor Preventing Embrittlement or Discoloration and shall incorporate a Sturdy Die-Cast Base that may be mounted to 1-gang, 2-gang, and 4" Square E.O. or Band to Pole. The overall dimensions shall be H 8" x W 14 5/8" x D 13 7/8".

# IP-CONSOLE-GH

PoE IP Console with Gooseneck Microphone and Handset



## Features

### Network Features

- Dynamic or Static IP Address
- IEEE 802.3 10/100/1000 Base-T Ethernet
- IEEE 802.3af Compliant
- Dual Bridged Port for PC Bypass
- Built-in 2.4G / 5G Wi-Fi
- IPv6 compatible

### Audio Codec Support

- G.711 u-law / a-law (16 kbit/s)
- G.722 Wideband Audio (64 kbits/s), Opus

### Video Codec Support

- H.264 / H.265(optional) 780P/1080P

### Auto Registration

- SLP or DNS-SRV for Singlewire Applications
- AtlasIED Discover tool

### Static Configuration

- HTTP GUI for Static Configuration

### Additional Features

- 10.1" 1280 x 800 color touch screen
- Programable 112 one-touch virtual DSS keys
- Supports 20 SIP lines
- Compatible with most major call platforms (e.g., Asterisk®, Broadsoft®, 3CX®, Metaswitch®, Elastix®, Avaya®, and others)
- Built-in Bluetooth 5.0
- Direct to IPX communication using multi-cast
- On-board Gooseneck Mic, Handset, and conference speaker
- Stand with 2 adjustable angles of 40 and 50 degrees

## General Description

The AtlasIED IP-CONSOLE-GH is a PoE voice over IP communications console equipped with a large 10.1-inch color touch screen, gooseneck microphone, handset and built-in speaker that combines clear voice communication and access to the wide range of features within the IPX Unified Communication ecosystem. The IP-CONSOLE-GH supports telephony integration and is compatible with most major call platforms when used as a desktop phone. The IP-CONSOLE-GH offers 112 programmable virtual DSS (Direct Station Selection) keys and each key can be configured with its own custom naming scheme to easily active a preprogramed event or notification within the Unified Communication ecosystem. A built-in Gigabit Ethernet switch for both network connection and PC connection is included.

## Applications

- Healthcare
- Public Transportation
- Subway Stations
- Corporate Centers
- Education
- Industrial / Manufacturing

The AtlasIED IP-CONSOLE-GH natively registers with Singlewire's InformaCast® notification application or can register as a SIP phone to serve as the systems network Administrative Display Phone or Master Paging Station.

The gooseneck microphone, built-in speaker and graphical user-friendly interface allow the operator to select any or all zones for live day-to-day announcements or a single zone for two-way communication. The operator can also choose to select a single zone and use the handset for private intercom sessions.

When used with InformaCast® notification application each of the IP-CONSOLE-GH programable 112 virtual DSS (Direct Station Selection) keys can be configured to the InformaCast Fusion Command Center's button.

Its large 10.1" color touch screen graphical user-friendly interface makes it easy to navigate through the configured virtual DSS (Direct Station Selection) keys and launch InformaCast's programed critical alerts, manual bells, and pre-recorded events for fast and clear communications with AtlasIED's IPX Series IP endpoints.

The AtlasIED IP-CONSOLE-GH can also register as a SIP phone directly to a SIP server, VoIP Communications Manager, or call service including on-premise and hosted infrastructure call platforms and supports 20 SIP lines.

System	
Type	PoE IP Console with Gooseneck Microphone and Handset
Operating System (OS)	Android® 9.0
Phone Features	
Local Phonebook Size	2000
Physical Keys	Volume Down, Volume Up, Home, Hands Free, Return
Handset Connector	RJ9
Power Input	PoE
Bluetooth Headset Compatible	Yes
DSS (Direct Station Selection) Keys	Yes – 112 (Virtual) Keys
Call Log Depth	1000 Entries
Bluetooth Version	5.0
Safety Agency Ratings	CE and FCC
Audio	
Microphone / Speaker Frequency Response	20Hz - 7kHz (Minimum Range)
Sampling Rate	16kHz
Supported Narrow Band Codecs	G.711a/u and G.729AB
Supported Wide Band Codecs	G.722 and Opus
AEC	Full Duplex
Gooseneck Mic Frequency Response	20Hz - 20kHz
Video	
Codecs	H.264 / H.265(Optional)
Video Call Resolution	CIF / VGA / 4CIF / 720P / 1080P
Image Format	JPEG / PNG / BMP
Video Format	MP4 - Bandwidth Selection: 64kbps~4Mbps, Frame Rate Selection: 5~30fps
Display	
Display Type	High Resolution Back-Lit Color Touch Screen
Display Size	10.1" (1280 x 800)
Software	
InformaCast Advanced Compatible Version	4.0+
InformaCast Fusion Compatible Version	3.0+
Network	
Ethernet	IEEE 802.3 10/100/1000 Base-T
PoE	IEEE 802.3af Compliant
Ethernet Switch	An Internal 2-Port Switch: 1 RJ45 for Network and 1 RJ45 for PC (Bridged to Network)
Wi-Fi	2.4GHz (802.11 b/g/n) and 5GHz (802.11 a/n/ac)
SIP Lines	20
Protocols	
IP Addressing	DHCP / Static
Auto-Registration	HTTP / Service Location Protocol
Telephony	SIP2.0 over UDP /TCP / TLS
Supported Protocols	RTP / RTCP / SRTP, STUN, CDP, LLDP, 802.1x, OpenVPN (Requires third-party app support), SNMP, FTP / TFTP, HTTP / HTTPS, TR-069

©2023 Atlas Sound L.P. The Atlas "Circle-A", Soundolier, and Atlas Sound are trademarks of Atlas Sound L.P. IED is a Registered Trademark of Innovative Electronic Designs LLC. All rights reserved. All other Trademarks are property of their respective owners. No endorsement is implied. Due to continual product development, specifications are subject to change without notice. ATIS007075 RevE 10/23

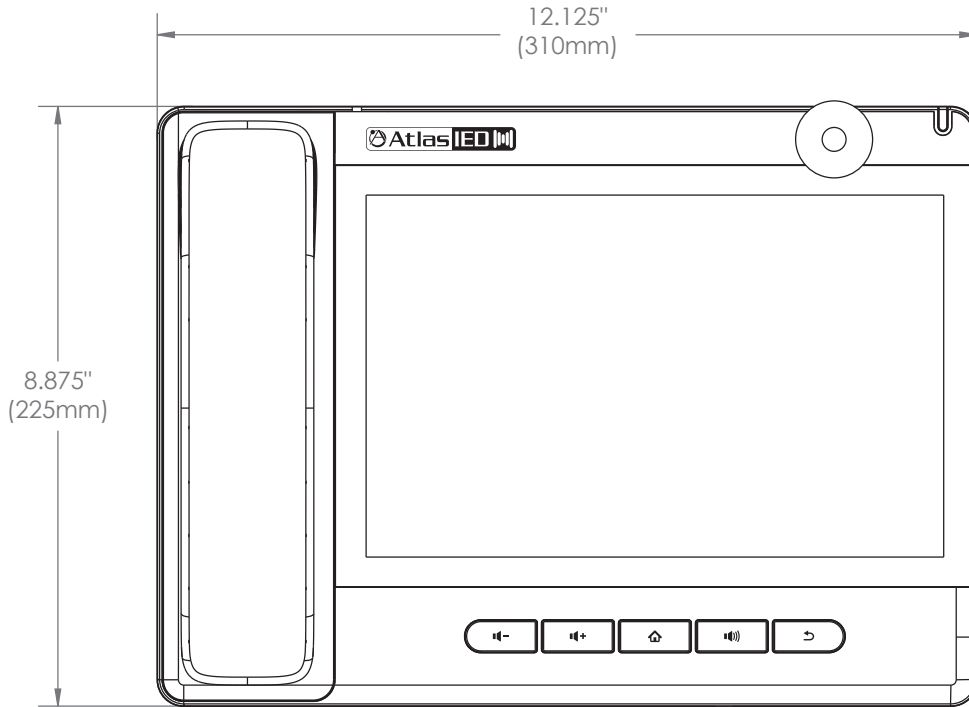
<b>Mechanical</b>	
Operating Temperature	0°C (32°F) to 45°C (113°F)
Operating Humidity	10 - 95%
Product Dimensions (HxWxD)	8.875" x 12.125" x 1.8" (225mm x 310mm x 46mm) (Base Unit)
Shipping Dimensions (HxWxD)	12.0" x 12.75" x 2.75" (305mm x 324mm x 70mm)
Net Weight - lbs	2.65lb (1.20kg) (Console / Kick Stand / Goose Neck)
Net Weight - lbs	2.95lb (1.34kg) (Console / Kick Stand / Handset)
Shipping Weight - lbs	4.075lb (1.85kg)
<b>Warranty Coverage</b>	
Warranty Period	1 Year

The above specifications may be updated in the future without prior notice.

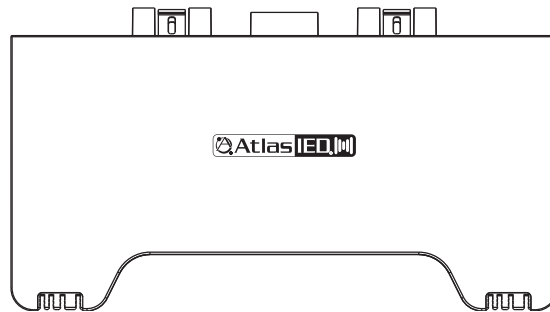
©2023 Atlas Sound L.P. The Atlas "Circle-A", Soundolier, and Atlas Sound are trademarks of Atlas Sound L.P. IED is a Registered Trademark of Innovative Electronic Designs LLC. All rights reserved. All other Trademarks are property of their respective owners. No endorsement is implied. Due to continual product development, specifications are subject to change without notice. ATSO07075 RevE 10/23

## Dimensional Drawings

IP Phone Console



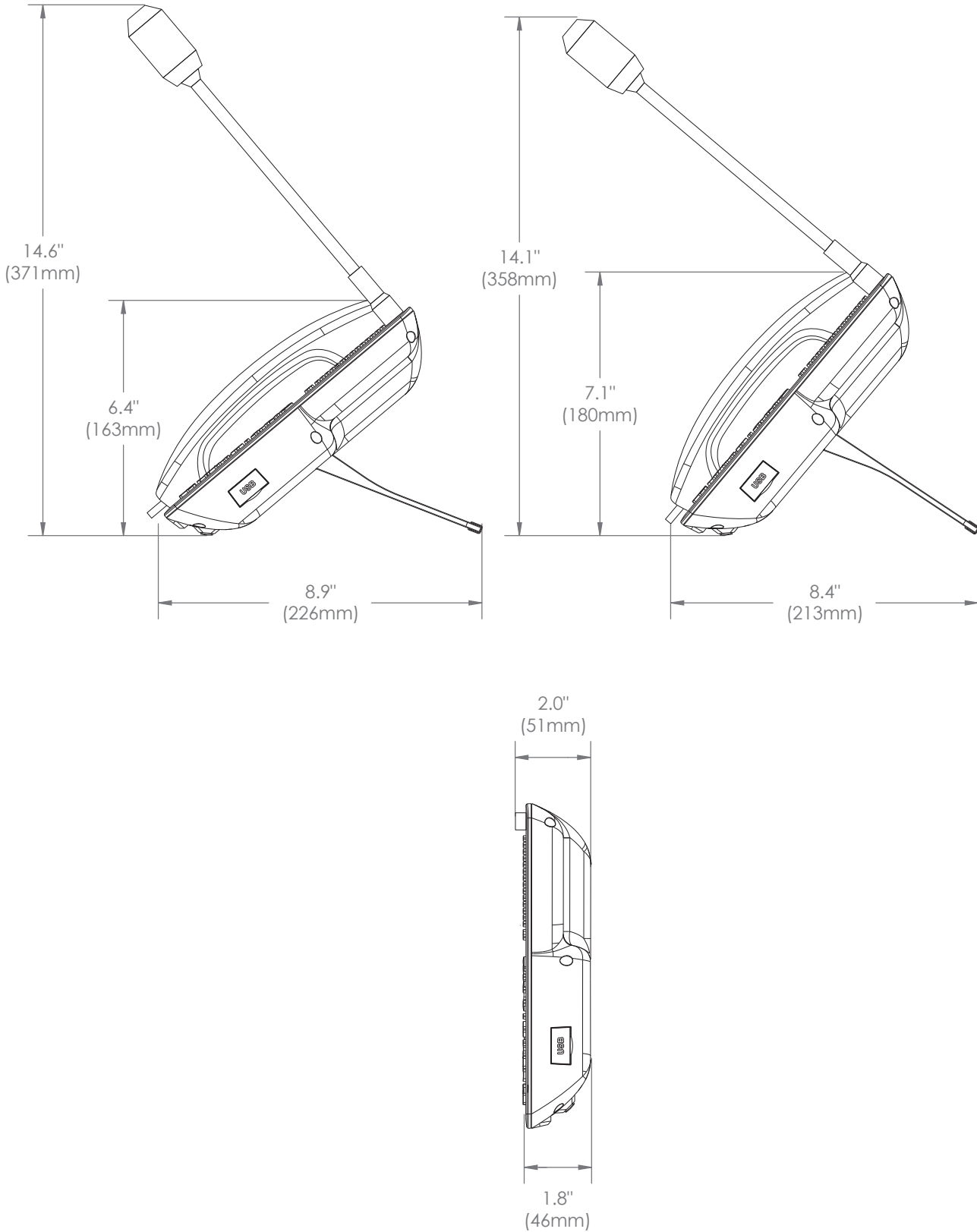
Stand



©2023 Atlas Sound L.P. The Atlas "Circle-A", Soundolier, and Atlas Sound are trademarks of Atlas Sound L.P. IED is a Registered Trademark of Innovative Electronic Designs LLC. All rights reserved. All other Trademarks are property of their respective owners. No endorsement is implied. Due to continual product development, specifications are subject to change without notice. ATSO07075 RevE 10/23

## Dimensional Drawings

Mic, Console, Stand



©2023 Atlas Sound L.P. The Atlas "Circle A", Soundolier, and Atlas Sound are trademarks of Atlas Sound L.P. IED is a Registered Trademark of Innovative Electronic Designs LLC. All rights reserved. All other Trademarks are property of their respective owners. No endorsement is implied. Due to continual product development, specifications are subject to change without notice. ATIS007075 RevE 10/23

## Architect & Engineer Specifications

The unit shall be AtlasIED model IP-CONSOLE-GH. The PoE voice over IP communication Administrative Control Console (subsequently referred to as Console) shall be a programmable 10.1" diagonal capacitive touch technology color screen interface with a 1280x480 resolution. The Console shall provide 112 programmable virtual DSS (Direct Station Selection) keys and allow for a custom naming scheme for each key. The Console shall have a gooseneck microphone and built-in speaker that supports hands-free wideband audio (HD Audio) for maximum intelligibility, as well as a corded handset. The Console shall be equipped with an internal Gigabit Ethernet switch and include 1 RJ45 port for IEEE 802.3 10/100/1000 Base-T Ethernet network connection and 1 RJ45 port for IEEE 802.3 10/100/1000 Base-T Ethernet co-located PC connection. The Console shall allow connectivity to a 2.4GHz (802.11 b/g/n) and 5GHz (802.11 a/n/ac) Wi-Fi access-point infrastructure as an alternative to wired Ethernet. The Console shall support telephony integration and be compatible with most major call platforms.

The AtlasIED IP-CONSOLE-GH shall natively register with Singlewire's InformaCast® notification application or register as a SIP phone to serve as the systems network Administrative Display Phone or Master Paging Station.

Each of the Console's programmable 112 virtual DSS (Direct Station Selection) keys shall be capable of matching Singlewire's InformaCast® Fusion Command Center button architecture. The Console's 10.1" diagonal capacitive touch technology color screen interface shall allow the operator to launch Singlewire's InformaCast® Fusion programmed color-coded critical alerts, manual bells, pre-recorded, scheduled events and two-way communication. When there are no active calls, the display shall show the Console name and dial number. If a time server is connected to the network, the display shall also show the time and date.

The Console's gooseneck microphone, built-in speaker and graphical user-friendly interface shall allow the operator to select any or all zones for live day-to-day announcements or a single zone for two-way communication. The Console shall also allow the operator to select a single zone and use the handset for private intercom sessions.

The Console shall be capable of registering as a SIP phone directly to a SIP Server, VoIP Communications Manager or call service including on-premise and hosted infrastructure call platforms and supports 20 SIP lines for making calls to external and internal phones, two-way intercom, monitoring, and broadcasting. The Console SIP implementation shall support standards G.711 a-law and u-law, G.722 and SIP2.0 over UDP, TCP, TLS, and RTP protocols.

The Console shall be PoE IEEE Power over Ethernet class 4 and compatible with both IEEE 802.3af and 802.3at switch blades and support Link Layer Discovery Protocol - Power over Ethernet (LLDP-PoE).

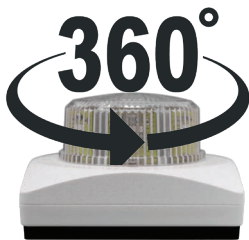
The Console shall provide Bluetooth 5.0 Enhanced Data Rate (EDR) Class 1 technology support for Hands-Free Profile (HFP) untethered headset connections and voice communications.

The PoE voice of IP communications console shall be Molded of Dark Grey Polycarbonate Acrylonitrile Butadiene Styrene (ABS) Textured Plastic. It shall offer the ability to mount flat on top of a surface, or free-standing on a desktop using included adjustable stand with 40 and 50 degree angles. The overall dimensions of the base unit shall be 8.875" x 12.125" x 1.8" (225mm x 310mm x 46mm).

## IP Visual Alerting for Safety, Security & Event Notification

The 8138 IP Color Visual Alerter is a PoE IP endpoint with multi-color LEDs for visual notification. The combination of amber, blue, green and red colors, selectable flash patterns and three levels of intensity allow 180 possibilities for distinctive alerting including steady-state on.

Activation is triggered by a telephone ring event using SIP registration to any leading VoIP UC cloud and premise platform. The 8138 can also be activated by multicast, RESTful API or integration with mass notification software platforms.



### 360° Visibility

Whether steady-state on or flashing, the bright LEDs of the 8138 are visible from any direction allowing installation in any orientation including wall or ceiling mount. Each color is produced by 16 separate ultra efficient and long-life LEDs pointing on axis and radially to provide up to 690 lumen flux and 190 peak candela.



### Typical Applications

- Telephone ring in noisy environments
- Situational awareness (warning, danger, all clear, go, stop etc)
- Voice paging pre-alert or live alert
- Emergency, safety & security notification
- Notification for the hearing impaired
- Silent notification in quiet locations

### Multicast Scalable

The 8138 can be activated by a SIP ring event and configured to simultaneously transmit a multicast stream over the network to trigger as many other 8138 IP Visual Alerters as required and keep them synchronized with each other.

### Safety & High Brightness LEDs

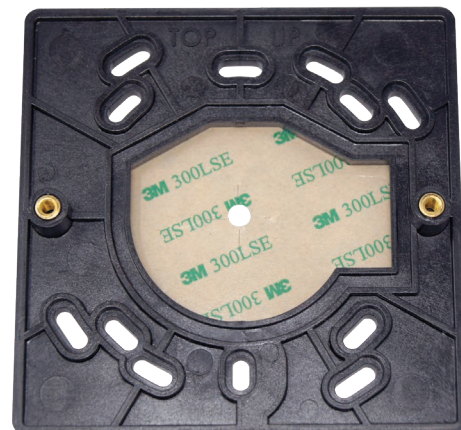
The 8138 meets requirements of the IEC 62471 standard relating specifically to blue light and UV emission to be considered safe to view in all conditions. Photosensitive seizure is a risk for any flashing light however the 8138 includes a steady-state solid on option, low intensity settings and high frequency modulation for elimination of risk related to flicker.

## Specifications

<b>Power Input:</b>	PoE IEEE 802.3af Idle nominal 2.0W maximum 12.95W
<b>SIP:</b>	50 SIP extensions for activation or cancellation of visual alerting. UDP, TCP, TLS, RTP, SRTP
<b>Multicast:</b>	Transmit/receive 50 zones IGMP, RTP, InformaCast, Revolution*, Polycom Group Page
<b>Configuration:</b>	Web interface or provisioning server
<b>Web Interface:</b>	HTTP, HTTPS
<b>Provisioning:</b>	TFTP, FTP, HTTP, HTTPS DHCP Options 66, 150, 160 Reboot via SIP check-sync
<b>Networking:</b>	IPv4, IPv6, DHCP, VLAN, MDNS
<b>Link Layer:</b>	LLDP, CDP
<b>QoS:</b>	DSCP
<b>Supervision:</b>	SNMP V3
<b>NAT:</b>	STUN, TURN, CRLF Keep Alive SIP Outbound
<b>Address Resolution:</b>	DNS, SRV Record
<b>Redundancy:</b>	Secondary and tertiary SIP server
<b>Time:</b>	NTP Server (up to four)
<b>API Support:</b>	RESTful API (developer support available from Algo)
<b>Enclosure:</b>	High impact UV stabilized flame retardant plastic with mounting plate and gasket kit
<b>LEDs:</b>	64 CREE LEDs (16 each amber, blue, green, red)
<b>Flux:</b>	370-690 Lumens (color dependent)
<b>Peak Intensity:</b>	102-190 Candela (color dependent)
<b>Flash Patterns:</b>	20 Configurable from 180 combinations of LED flash pattern, intensity, and color(s).
<b>Optical Safety IEC 62471-21/TR 2009:</b>	RISK GROUP EXEMPT Safe to view for all conditions
<b>Viewer Risk Assessment IEEE Std 1789-2015:</b>	For photosensitive seizure steady-state ON is LOW RISK. Flash patterns are considered MEDIUM RISK. Risk re flicker NO EFFECT (PWM >= 3 kHz)
<b>Relay Output:</b>	Normally open dry contact closure 50mA 30V Max. Activation event configurable.
<b>Relay Input:</b>	Detect normally open or normally closed dry contacts. Max 6.5 kOhm external resistance. Compatible with 1202 & 1203 Call Buttons. Contact Algo for application assistance using EOL resistors for supervision.
<b>Environmental:</b>	-40 to +123 deg F (-40 to +50 deg C) Outdoor/wet environments require installation using supplied gaskets on smooth surfaces or electrical box. IP66 rated if properly installed.
<b>Dimensions:</b>	4.8" W x 4.8" H x 3.0" D (12.2cm W x 12.2cm H x 7.6cm D)
<b>Weight:</b>	1.5 Lbs (0.7 kg)
<b>Mounting:</b>	Plastic mounting bracket included fitting single and double gang electrical boxes or low voltage brackets.
<b>Regulatory Compliance:</b>	IEEE 802.3-2018, RoHS, CE, FCC Class A, CISPR 32 Class A, CISPR 24, CSA/UL (USA & Canada) & IEC 62368-1



8138 Bottom View



8138 Mounting Bracket With Gasket

### Ordering Information:

8138 IP Color Visual Alerter (ABGR)

### Similar Products:

8128 IP White Visual Alerter  
(SIP Strobe Light)

### Compatible Accessories for 8138:

1202 Call Button  
1203 Call Switch



DC8138BR3 2020-06-10 © Algo Communication Products Ltd. All rights reserved. Algo® is a registered trademark of Algo Communication Products Ltd. Polycom Group Page is a trademark of Polycom Inc. InformaCast is a trademark of Singlewire Software. Revolution is a trademark of Syn-Apps LLC. \*Revolution compatibility is available Q3 2020.

Note: Specifications are subject to change without notice. Some features may only be available in specific firmware or hardware releases.