



Because it matters

Dealer's Stamp

Headquarters BenQ Corporation 16 Jihu Road, Neihu, Taipei 114, Taiwan Tel : +886-2-2727-8899 Fax : +886-2-2656-2438	Asia Pacific BenQ Asia Pacific Corp. 12 Jihu Road, Neihu, Taipei 114, Taiwan Tel : +886-2-2727-8899 Fax : +886-2-2656-2438	China BenQ (IT) Co., Ltd. 181 Zhuyuan Road, Suzhou New District, Suzhou, China Tel : +86-512-6807-8800 Fax : +86-512-6809-7010	North America BenQ America Corp. 3200 Park Center Drive, Suite 150 Costa Mesa, CA 92626 U.S.A Tel : +1-714-559-4900 Fax : +1-714-557-0200	Europe BenQ Europe B.V. Meerenakkerweg 1-17, 5652 AR Eindhoven, The Netherlands Tel : +31(0) 88-888-9200 Fax : +31(0) 88-888-9299	Latin and Central America BenQ Latin America Corp. 8200 N.W. 33 Street, Suite 301 Miami, FL 33122 U.S.A. Tel : +1-305-421 1200 Fax : +1-305-421 1201
---	--	--	--	--	---

© 2020 BenQ Corp. Specification may vary by region, please visit your local stores for details. Actual product's features and specifications are subject to change without notice.

This material may include corporate names and trademarks of third parties which are the properties of the third parties respectively

Doc: PDP_RM6503/RM7503/RM8603_IFP_EN_202112

Foster effective learning while protecting teachers and students



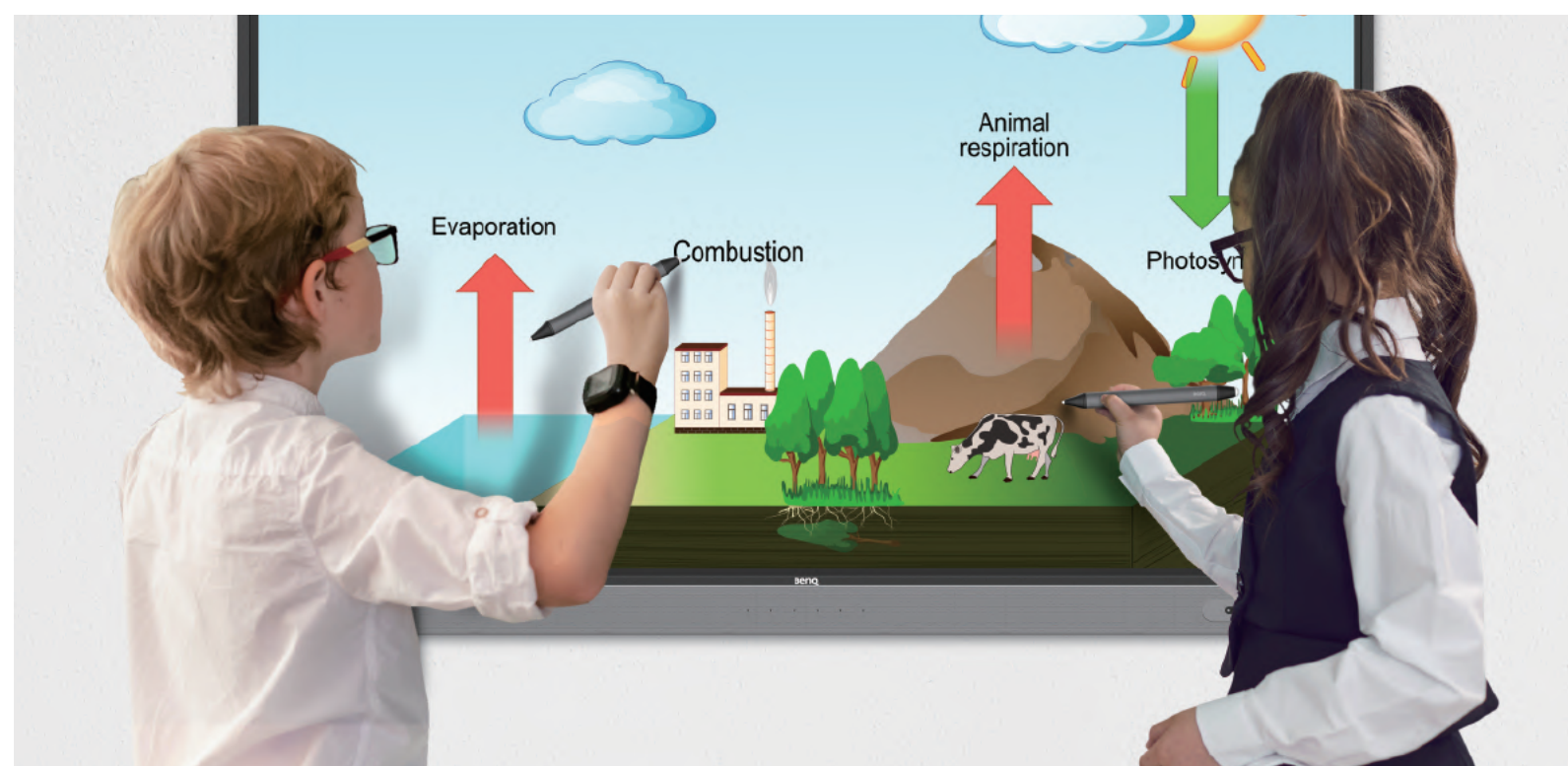
Interactive Displays for Education

RM6503 / RM7502 / RM8603

- Germ-Resistant Screen & Pen
- Flicker-Free
- Low Blue Light
- Anti-Glare
- InstaShare
- EZWrite



Because it matters



From in-class to hybrid to distance learning

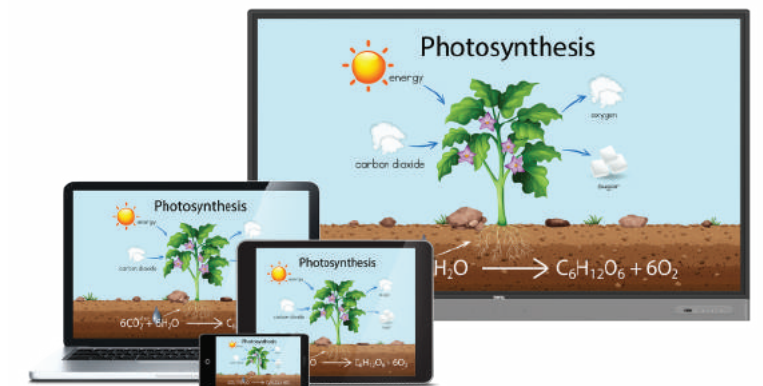


A display that protects the entire class



Defend against the spread of germs

Reduce disease transmission in the classroom with germ-resistant screens and pens. All BenQ interactive displays have touchscreens coated with a nano-ionic silver formula that kills 99.9% of common germs after contact.



Enhanced eye comfort

BenQ displays come with low blue light and flicker-free technology for reduced eye strain and a comfortable viewing experience. Anti-glare screens additionally ensure that display content is seen clearly, even on hybrid and remote calls.



Flicker-Free



Low Blue Light



Anti-Glare



BenQ screen

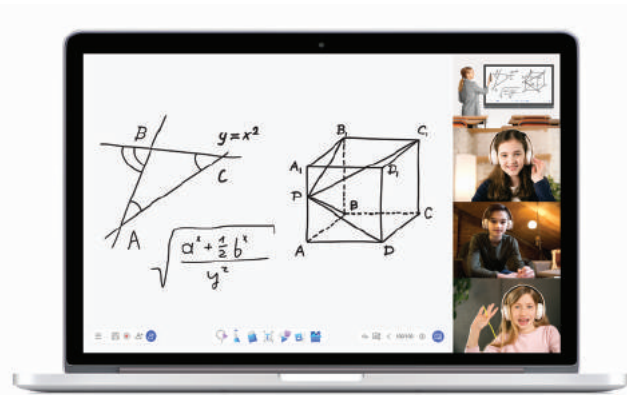
Other screen

Explore ideas without limits

Foster collaborative learning with an intuitive whiteboard. EZWrite 6 lets you work on the canvas from the interactive display or your device.

Untethered screen sharing

Empower students to wirelessly present their ideas in class without the hassle of cables. InstaShare 2 lets students simultaneously cast their device screens onto the interactive display.



Bridging classrooms with video conferencing

Have students learn from home or invite a guest speaker to join remotely. The RM03 is compatible with all leading video conferencing software such as Zoom, Google Meet, and Microsoft Teams.

*Available with slot-in PC



Side-by-side learning

Make lessons more efficient by running two apps side by side. Explain in detail with a whiteboard on one side and supporting content on the other.

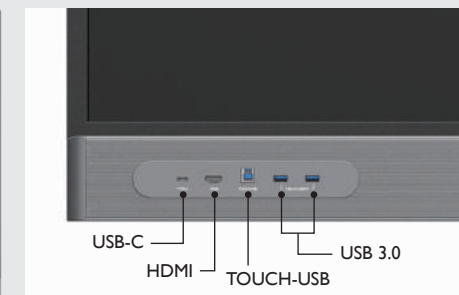
*Available Q1 2022

Made for teachers



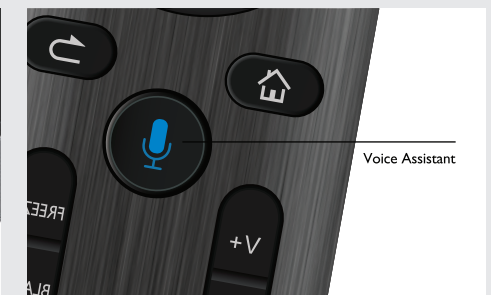
Hear and be heard

The built-in 2 x 16W speakers and 6-microphone array ensure that the entire class can hear and be heard during hybrid and remote lessons.



Convenient connectivity

The front ports cover all your connectivity needs. Charge your notebook, display your screen, and enable touch with a single Type-C cable.



Voice assistant

Teach lessons on the RM03 from anywhere in the room with the remote control and voice assistant for increased accessibility.

*Available Q1 2022

Made for IT and admin staff



A more personalized experience

Load your personal settings and files on any display. Securely access lesson materials on Dropbox, Google Drive, and OneDrive.



Dropbox



Google Drive



OneDrive



AMS Files

Effective communication across campus

Keep everyone informed and up to date on events, safety protocols, and emergencies. Deliver clear and effective messages to multiple BenQ displays with X-Sign Broadcast.



Device analytics at a glance

Easily monitor and analyze the status of all your BenQ devices on a single dashboard. Manage displays, apps, and OTA updates remotely for maximum convenience.



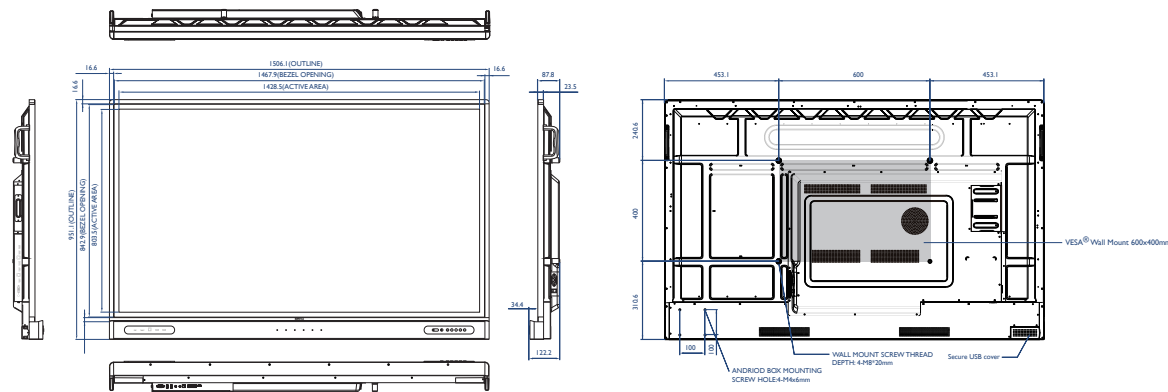
IP5X dust protection

The panel meets IP5X standards to ensure consistent operation, even in dust-prone environments.

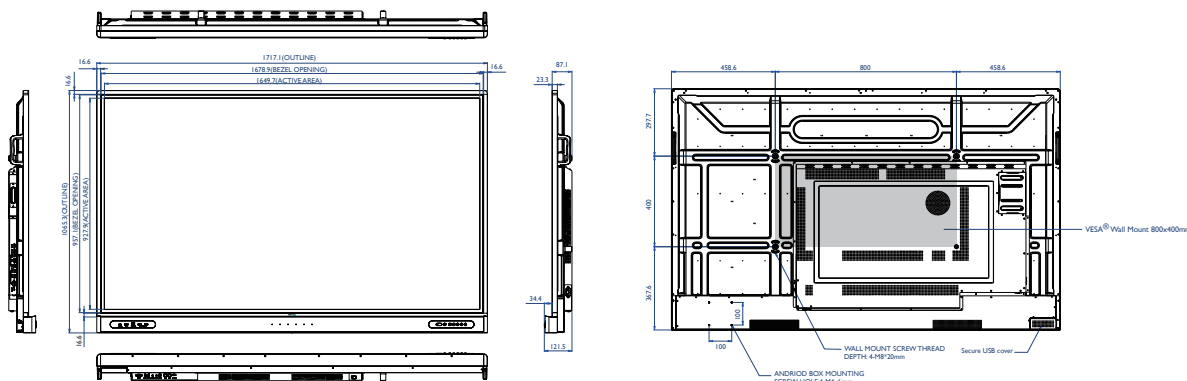
**Complies with IEC standard 60529

Dimensions

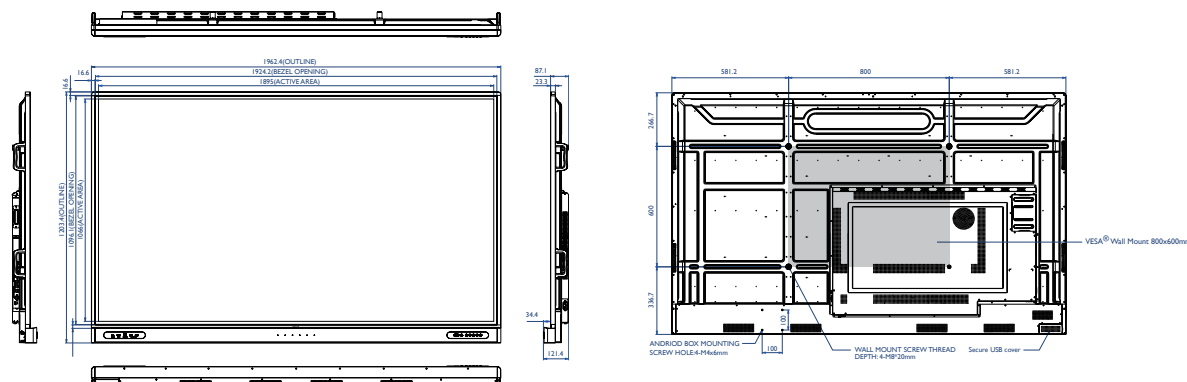
RM6503



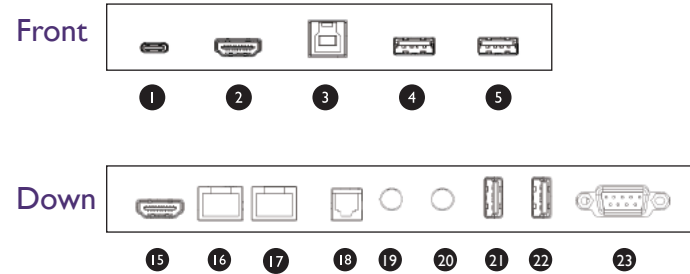
RM7503



RM8603



Input/output ports



Side

No.	Name	No.	Name
1	USB-C	13	VGA
2	HDMI	14	Audio
3	TOUCH-USB	15	HDMI
4	USB 3.0	16	LAN
5	USB 3.0	17	LAN
6	USB 3.0	18	SPDIF
7	USB 3.0	19	Microphones
8	TOUCH-USB	20	Audio
9	DP	21	USB 2.0
10	HDMI	22	USB 2.0
11	TOUCH-USB	23	RS232
12	HDMI		

Specifications

Model	RM6503	RM7503	RM8603
Panel			
Screen size	65"	75"	86"
Resolution	UHD 3840 × 2160 pixels	UHD 3840 × 2160 pixels	UHD 3840 × 2160 pixels
Aspect ratio	16:9	16:9	16:9
Brightness (typical)	400 nits	450 nits	450 nits
Contrast ratio (typical)	1200:1	1200:1	1200:1
Dynamic contrast ratio	30,000:1	30,000:1	30,000:1
Color depth	10-bit	10-bit	10-bit
Response time	8 ms	8 ms	8 ms
Color gamut	72% NTSC	72% NTSC	72% NTSC
Operation hours	18 hours / 7 days	18 hours / 7 days	18 hours / 7 days
Orientation	Landscape	Landscape	Landscape
Light life (typical)	50,000 hrsit	50,000 hrs	50,000 hrs
Glass			
Hardness		9H tempered	
Germ-resistant technology		Nano-ionic silver	
Anti-glare coating		Yes	
Touch screen			
Touch technology		Infrared touch	
Touch points		40 (Windows: 40 ; Android : 32 ; Available in 2022)	
Touch response time		< 10 ms	
Platform System			
CPU		A73 × 4	
Memory Storage		8GB 32 GB	
OS		Android 9.0	
Connectivity			
HDMI (in out)		3 × HDMI 2.0 1 × HDMI 2.0	
DisplayPort (in out)		1 × 1.2 No	
DVI (in out)		N/A	
VGA (in out)		1 0	
3.5 mm audio in (VGA)		1	
3.5 mm audio (in out)		mic-in line-out	
SPDIF (in out)		0 1 (optical)	
USB-A		2 × 2.0 + 5 × 3.2 Gen I	
USB-B (for touch)		2 × 2.0 + 1 × 3.2 Gen I	
USB-C		1 × 3.1	
Slot-in PC (OPS)		1	
Built-in peripherals			
Microphone		6	
Speaker		2 × 16 W	
Power			
Power	AC 100-240V 50/60Hz	AC 100-240V 50/60Hz	AC 100-240V 50/60Hz
Maximum Power Consumption	335 W	396 W	448 W
Typical Power Consumption	118 W	146 W	180 W
Physical			
Shipping dimensions (W × H × D)	1660 × 1160 × 220 mm (65.4 × 45.7 × 8.7 inch)	1900 × 1160 × 225 mm (74.8 × 45.7 × 8.9 inch)	2140 × 1340 × 250 mm (84.3 × 52.8 × 9.8 inch)
Weight (product shipping)	41.2 kg 52.7 kg (90.8 lbs 116.2 lbs)	53.0 kg 72.0 kg (116.8 lbs 158.7 lbs)	68.6 kg 89.5 kg (151.2 lbs 197.3 lbs)
Mount (screws)	VESA 600 × 400 mm (4 × M8 × 20L)	VESA 800 × 400 mm (4 × M8 × 20L)	VESA 800 × 600 mm (4 × M8 × 20L)
Pen Tray			
Accessories			
Cables	1 × VGA (3m), 1 × HDMI (3m), 1 × USB-C (1.5m) × USB-B touch Cable (3m)		
Wall mount			
Stylus	2 2 2		
Remote Controller			
PWR cord (by region)	BQE × 2 (EU,UK) ; BQP × 7(EU, US, AU, TW, JP, UK, IN) ; BQA × 1 (US) ; BQin × 1 (IN) ; BQTW × 1; BQC × 1 (CN) ;		
OSD	(27L) EN/EF/GM/DT/PL/RS/CZ/DN/SW/IT/RM/FN/NG/GK/HG/SP/EP/TC/CNAB/JJP/TH/PS/VT/KR/TR/ID		