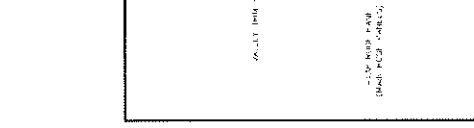
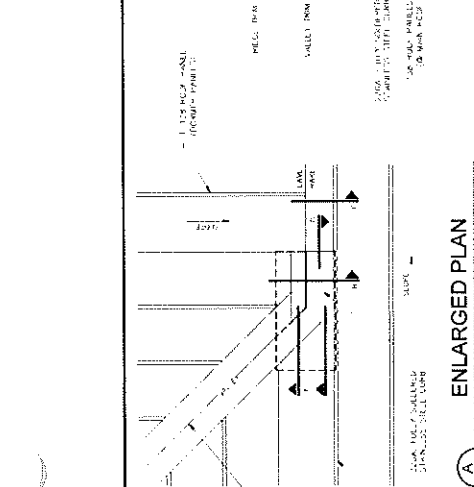
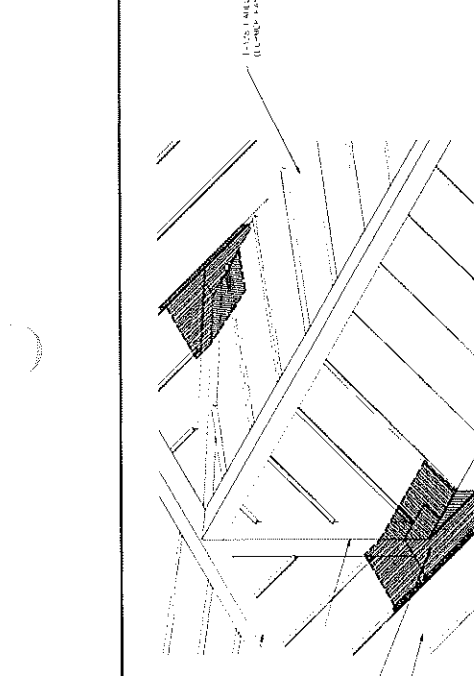
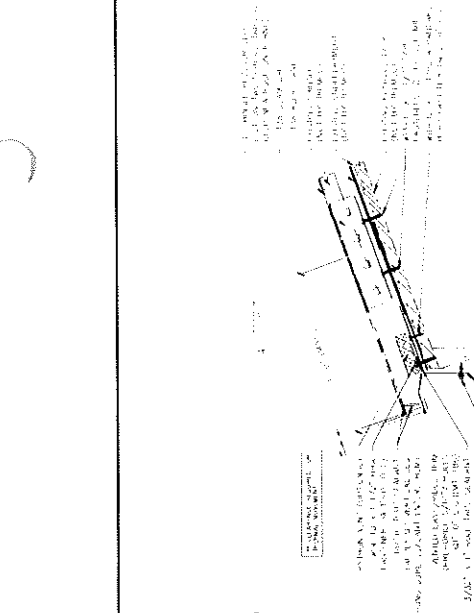
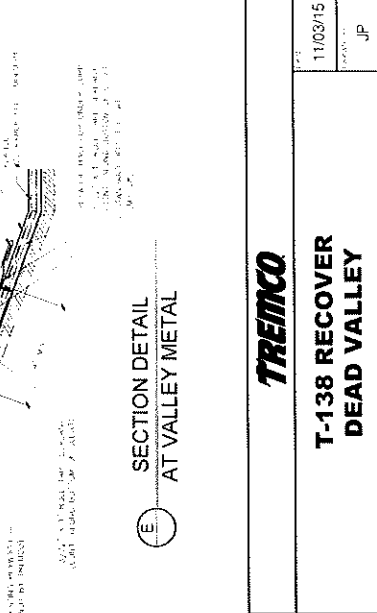
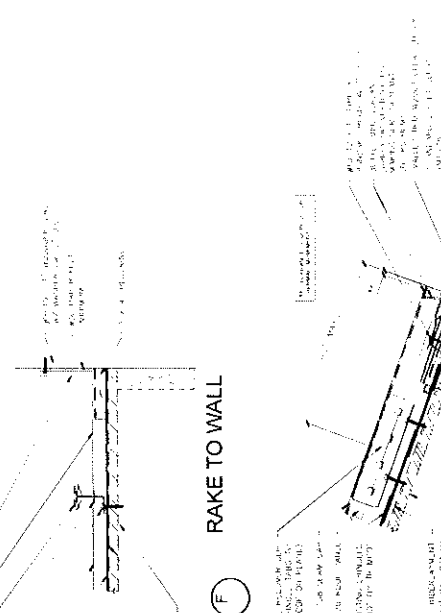
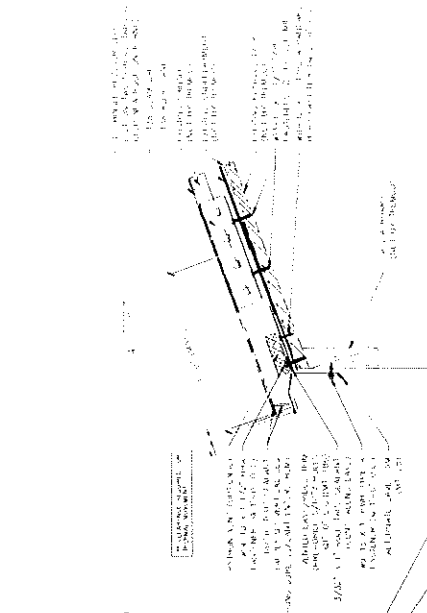


**TREMLOCK T-138 OVER SHINGLES  
BARN ROOF TRANSITION**  
T-138-1

N.T.S.



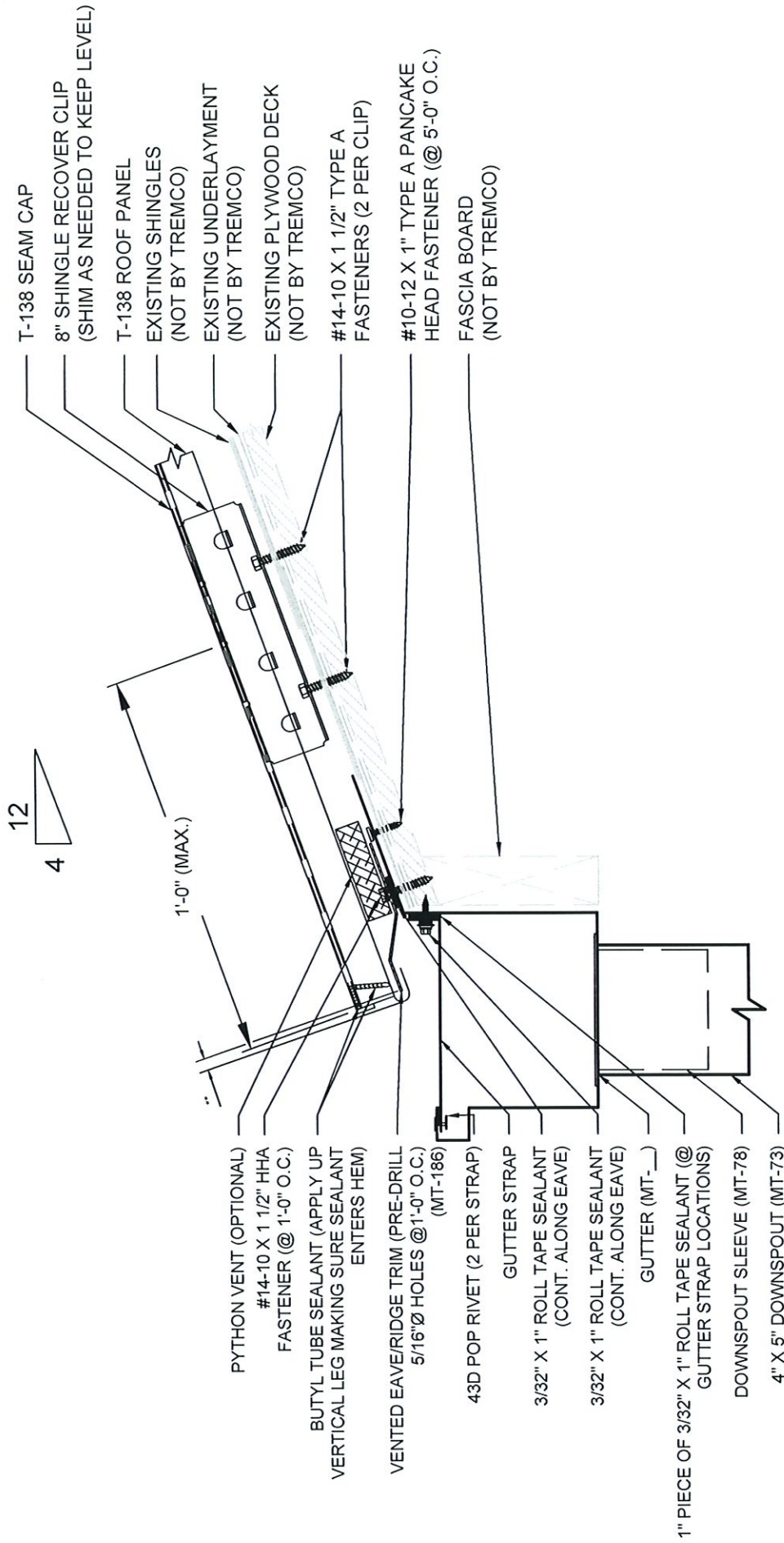
**TREMCO**

**T-138 RECOVER  
DEAD VALLEY**

11/03/15

JP

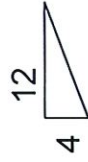
\*\* CLEARANCE REQUIRED FOR THERMAL MOVEMENT



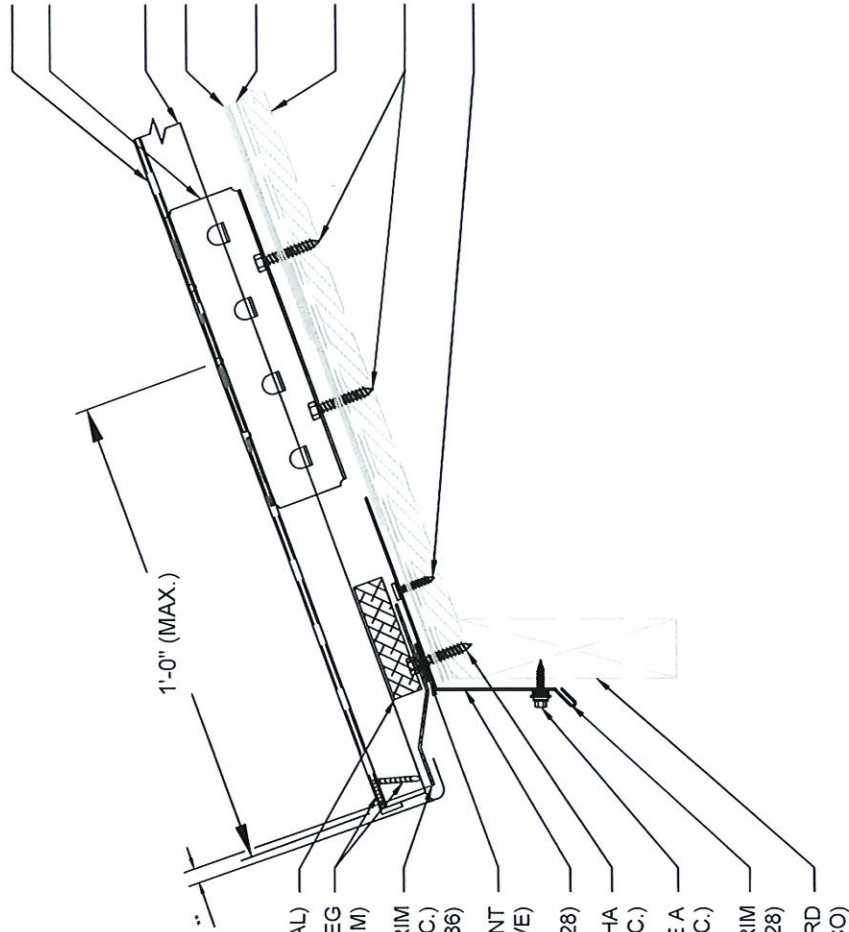
TREMLOCK T-138 OVER SHINGLES  
 EAWE WITH 6 IN. GUTTER  
 T-138-2

N.T.S.

\*\* CLEARANCE REQUIRED FOR THERMAL MOVEMENT



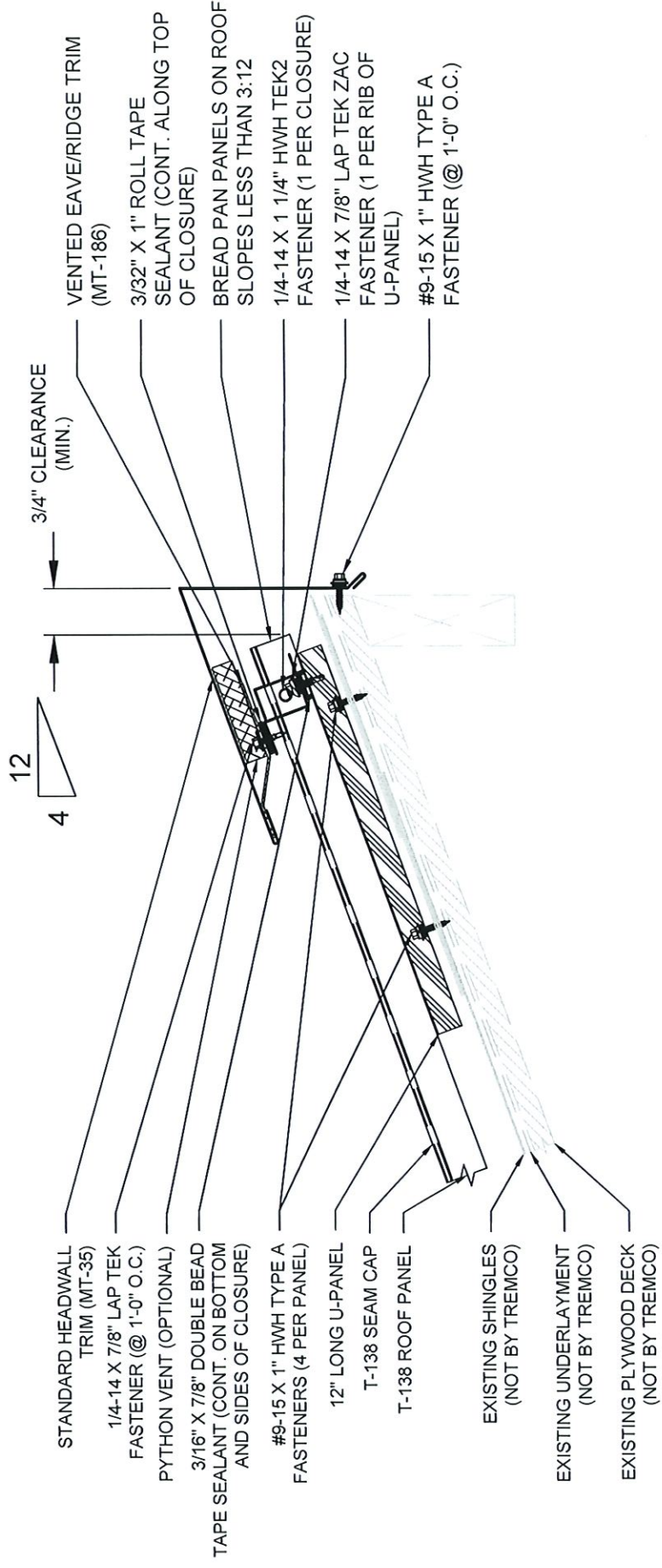
- T-138 SEAM CAP
- 8" SHINGLE RECOVER CLIP (SET ON TWO SHINGLE TABS TO KEEP NEW ROOF ON PLANE)
- T-138 ROOF PANEL
- EXISTING SHINGLES (NOT BY TREMCO)
- EXISTING UNDERLAYMENT (NOT BY TREMCO)
- EXISTING PLYWOOD DECK (NOT BY TREMCO)
- #14-10 X 1 1/2" TYPE A FASTENERS (2 PER CLIP MIN.)
- #10-12 X 1" TYPE A PANCAKE HEAD FASTENER (@ 5'-0" O.C.)



- PYTHON VENT (OPTIONAL)
- BUTYL TUBE SEALANT (APPLY UP VERTICAL LEG MAKING SURE SEALANT ENTERS HEM)
- VENTED EAVE/RIDGE TRIM (PRE-DRILL 5/16"Ø HOLES @ 1'-0" O.C.) (MT-186)
- 3/32" X 1" ROLL TAPE SEALANT (CONT. ALONG EAVE)
- EAVE TRIM (MT-28)
- #14-10 X 1 1/2" HHA FASTENER (@ 1'-0" O.C.)
- #9-15 X 1" HWH TYPE A FASTENER (@ 1'-0" O.C.)
- ALTERNATE EAVE TRIM (MT-28)
- FASCIA BOARD (NOT BY TREMCO)

TREMLOCK T-138 OVER SHINGLES  
EAVE  
T-138-3

N.T.S.



TREMLOCK T-138 OVER SHINGLES  
 HIGH EAVER  
 T-138-4

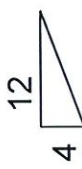
N.T.S.

SEALANT (AS REQUIRED)  
FASTENER (AS REQUIRED)

3/32" X 1" ROLL TAPE  
SEALANT (CONT. ALONG TOP  
OF CLOSURE)

BREAD PAN PANELS ON ROOF  
SLOPES LESS THAN 3:12  
1/4-14 X 1 1/4" HWH TEK2  
FASTENER (1 PER CLOSURE)  
1/4-14 X 7/8" LAP TEK ZAC  
FASTENER (1 PER RIB OF  
U-PANEL)

BUILDING LINE  
(NOT BY TREMCO)



3/4" CLEARANCE  
(MIN.)

STANDARD REGLET (MT-58)

STANDARD HEADWALL TRIM (MT-35)

PYTHON VENT (OPTIONAL)

1/4-14 X 7/8" LAP TEK  
FASTENER (@ 1'-0" O.C.)

VENTED EAVE/RIDGE TRIM (MT-186)

3/16" X 7/8" DOUBLE BEAD  
TAPE SEALANT (CONT. ON BOTTOM  
AND SIDES OF CLOSURE)

#9-15 X 1" HWH TYPE A  
FASTENERS (4 PER PANEL)

12" LONG U-PANEL

T-138 SEAM CAP

T-138 ROOF PANEL

EXISTING SHINGLES  
(NOT BY TREMCO)

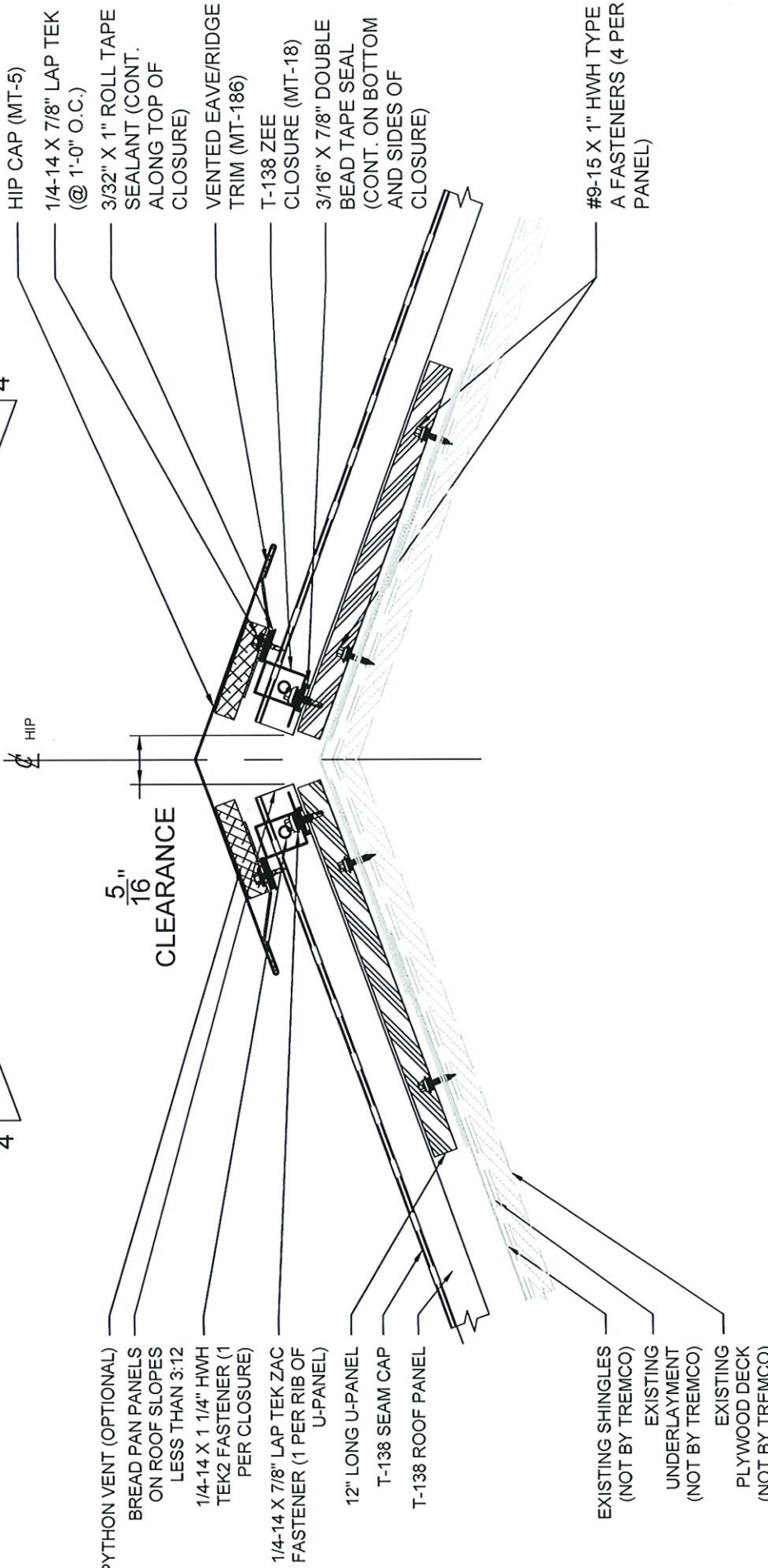
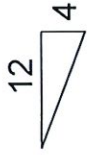
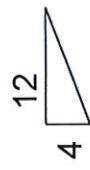
EXISTING UNDERLAYMENT  
(NOT BY TREMCO)

EXISTING PLYWOOD DECK  
(NOT BY TREMCO)

TREMLOCK T-138 OVER SHINGLES  
HIGH SIDE TIE-IN  
T-138-5

N.T.S.





- HIP CAP (MT-5)
- 1/4-14 X 7/8" LAP TEK (@ 1'-0" O.C.)
- 3/32" X 1" ROLL TAPE SEALANT (CONT. ALONG TOP OF CLOSURE)
- VENTED EAWE/RIDGE TRIM (MT-186)
- T-138 ZEE CLOSURE (MT-18)
- 3/16" X 7/8" DOUBLE BEAD TAPE SEAL (CONT. ON BOTTOM AND SIDES OF CLOSURE)
- #9-15 X 1" HWH TYPE A FASTENERS (4 PER PANEL)

- PYTHON VENT (OPTIONAL)
- BREAD PAN PANELS ON ROOF SLOPES LESS THAN 3:12
- 1/4-14 X 1 1/4" HWH TEK2 FASTENER (1 PER CLOSURE)
- 1/4-14 X 7/8" LAP TEK ZAC FASTENER (1 PER RIB OF U-PANEL)
- 12" LONG U-PANEL
- T-138 SEAM CAP
- T-138 ROOF PANEL
- EXISTING SHINGLES (NOT BY TREMCO)
- EXISTING UNDERLAYMENT (NOT BY TREMCO)
- EXISTING PLYWOOD DECK (NOT BY TREMCO)

5/16"  
CLEARANCE

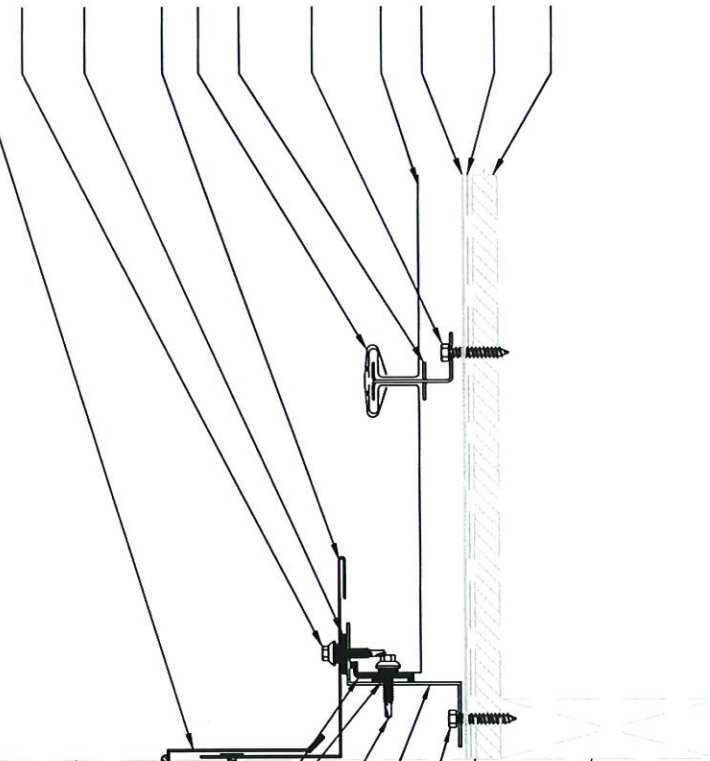
HIP



TREMLOCK T-138 OVER SHINGLES  
HIP  
T-138-12

N.T.S.

STANDARD REGLET (MT-58)  
 1/4-14 X 1 1/4" TEK2 ZAC  
 FASTENER (@ 1'-0" O.C.)  
 3/32" X 1" ROLL TAPE SEALANT  
 (CONT. ALONG TOP OF 16GA. ZEE)  
 RAKE TIE-IN TRIM (MT-34)  
 T-138 SEAM CAP  
 8" SHINGLE RECOVER CLIP  
 (SHIM AS NEEDED TO KEEP LEVEL)  
 #14-10 X 1 1/2" TYPE A  
 FASTENERS (2 PER CLIP)  
 T-138 ROOF PANEL  
 EXISTING SHINGLES  
 (NOT BY TREMCO)  
 EXISTING UNDERLAYMENT  
 (NOT BY TREMCO)  
 EXISTING PLYWOOD DECK  
 (NOT BY TREMCO)

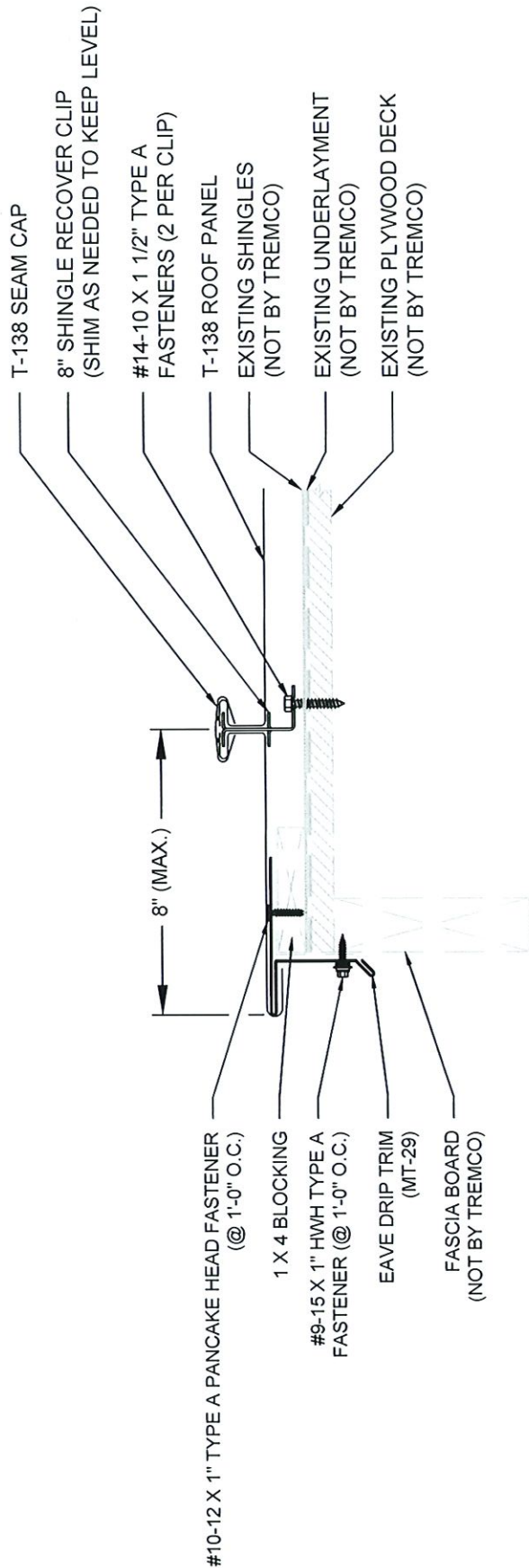


BUILDING LINE  
 (NOT BY TREMCO)  
 SEALANT  
 (AS REQUIRED)  
 FASTENER  
 (AS REQUIRED)  
 3/16" X 7/8" DOUBLE BEAD  
 TAPE SEALANT (CONT. ALONG  
 LENGTH OF RAKE)  
 1/4-14 X 1 1/4" TEK2 ZAC  
 FASTENER (@ 1'-0" O.C.)  
 SPECIAL 16GA. SLOTTED ZEE  
 (MT-SLOT-Z238)  
 #14-10 X 1 1/2" HHA TYPE A  
 FASTENER (@ 1'-0" O.C.)  
 #9-15 X 1" HWH TYPE A  
 FASTENER (@ 1'-0" O.C.)  
 WOOD BLOCKING  
 (NOT BY TREMCO)

TREMLOCK T-138 OVER SHINGLES  
 RAKE TIE-IN  
 T-138-6

N.T.S.

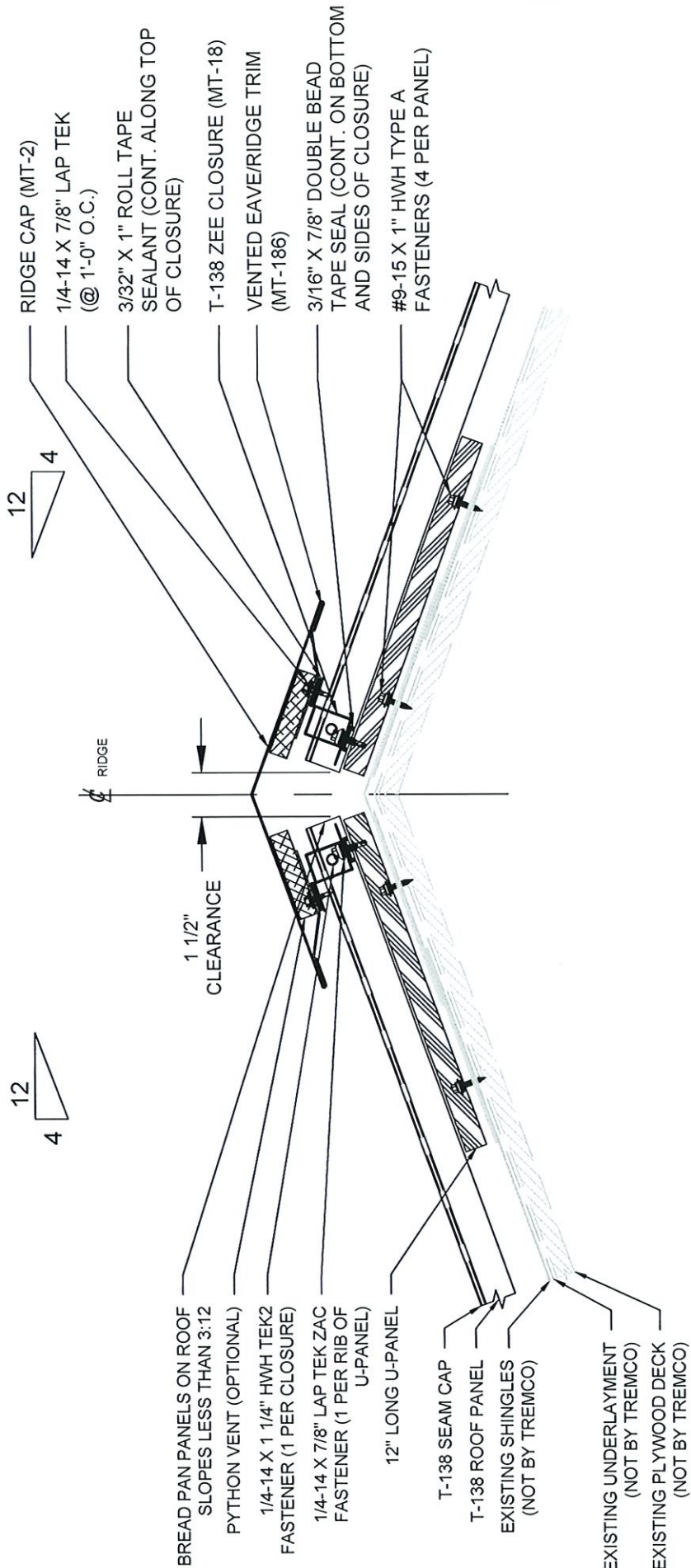




TREMLOCK T-138 OVER SHINGLES  
 RAKE  
 T-138-7

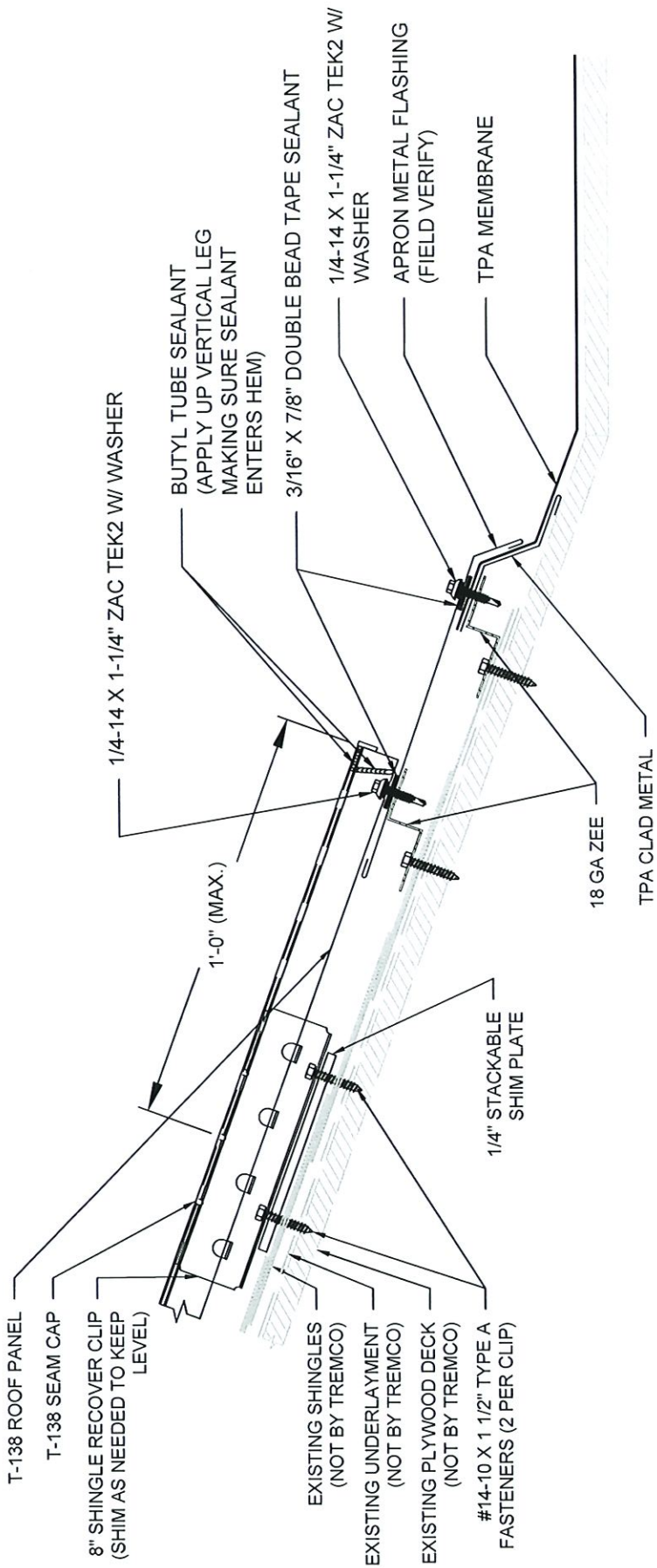
N.T.S.

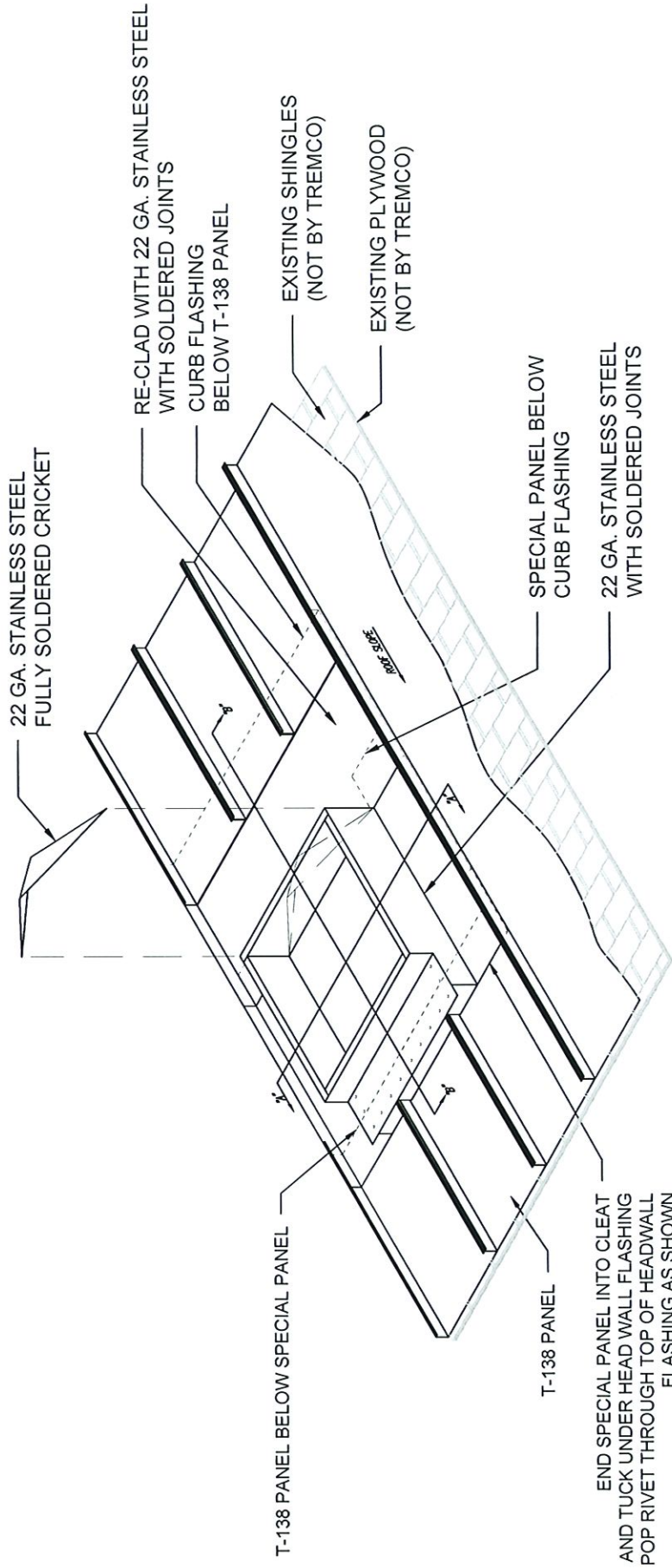




TREMLOCK T-138 OVER SHINGLES  
 RIDGE  
 T-138-8

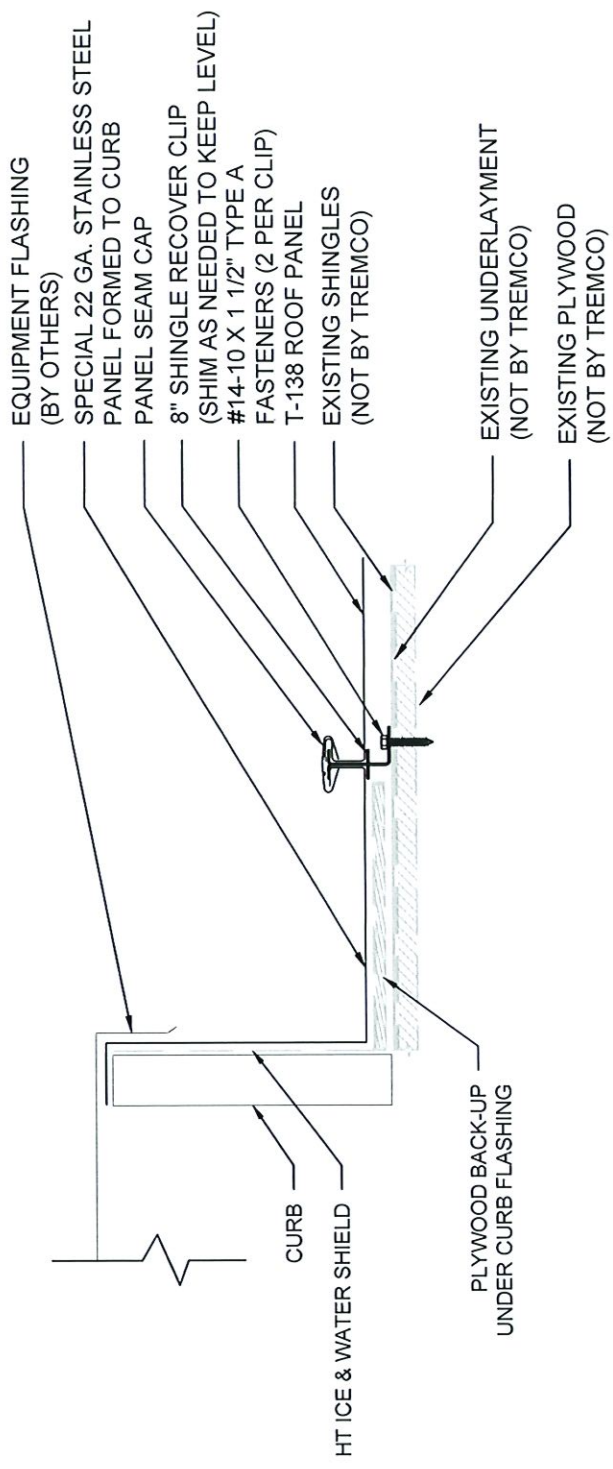
N.T.S.





TREMLOCK T-138 OVER SHINGLES  
 TYPICAL CURB - PERSPECTIVE VIEW  
 T-138-9A

N.T.S.



\*\* CLEARANCE REQUIRED FOR THERMAL MOVEMENT

FIELD NOTCH PANEL RIBS AND BEND PAN TO FORM OPEN HEM  
 22 GA. STAINLESS STEEL CURB FLASHING  
 ICE & WATER SHIELD  
 PLYWOOD BACK-UP

BUTYL TUBE SEALANT (APPLY UP VERTICAL LEG MAKING SURE SEALANT ENTERS HEM)  
 MT-11 SPECIAL VALLEY CLIP (BACK TO BACK)  
 #10 X 1" TYPE-A PANCAKE HEAD SCREW @ 1'-0" O.C.

DETAIL "A"

HT ICE & WATER SHIELD CURB  
 3/4" CLEAR (MIN.)  
 HEADWALL TRIM  
 PYTHON VENT (OPTIONAL)  
 1/4-14 X 7/8" LAP TEK FASTENER (@ 1'-0" O.C.)  
 3/16" X 7/8" DOUBLE BEAD TAPE SEALANT (CONT. ON BOTTOM AND SIDES OF CLOSURE)  
 VENTED EAVERIDGE TRIM (MT-186)

8" SHINGLE RECOVER CLIP (SET ON TWO SHINGLE TABS TO KEEP NEW ROOF ON PLANE)

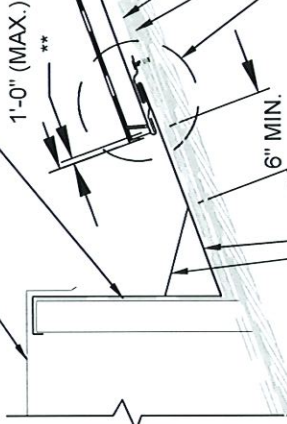
T-138 ROOF PANEL  
 T-138 SEAM CAP  
 EXISTING UNDERLAYMENT (NOT BY TREMCO)  
 EXISTING PLYWOOD DECK (NOT BY TREMCO)  
 EXISTING SHINGLES (NOT BY TREMCO)

HT ICE & WATER SHIELD  
 5/8" PLYWOOD BACK-UP  
 #10 X 1" TYPE-A PANCAKE HEAD SCREW @ 1'-0" O.C.

EQUIPMENT FLASHING (BY OTHERS)  
 ICE & WATER SHIELD  
 8" SHINGLE RECOVER CLIP (SET ON TWO SHINGLE TABS TO KEEP NEW ROOF ON PLANE)

T-138 SEAM CAP  
 T-138 ROOF PANEL  
 EXISTING SHINGLES (NOT BY TREMCO)  
 EXISTING UNDERLAYMENT (NOT BY TREMCO)  
 EXISTING PLYWOOD (NOT BY TREMCO)  
 #14-10 X 1 1/2" TYPE A FASTENERS (2 PER CLIP)

HT ICE & WATER SHIELD UNDER CURB FLASHING  
 PLYWOOD BACK-UP UNDER CURB  
 DETAIL "A"



22 GA. STAINLESS STEEL FULLY SOLDERED CURB FLASHING (RUN UP CURB, WRAP CORNER, CARRY FLASHING TO PANEL SEAM BEFORE SEAMING)  
 22 GA. STAINLESS STEEL CRICKET

BREAD PAN PANELS ON ROOF SLOPES LESS THAN 3:12  
 3/32" X 1" ROLL TAPE SEALANT (CONT. ALONG TOP OF CLOSURE)  
 1/4-14 X 1 1/4" HWH TEK2 FASTENER (1 PER CLOSURE)

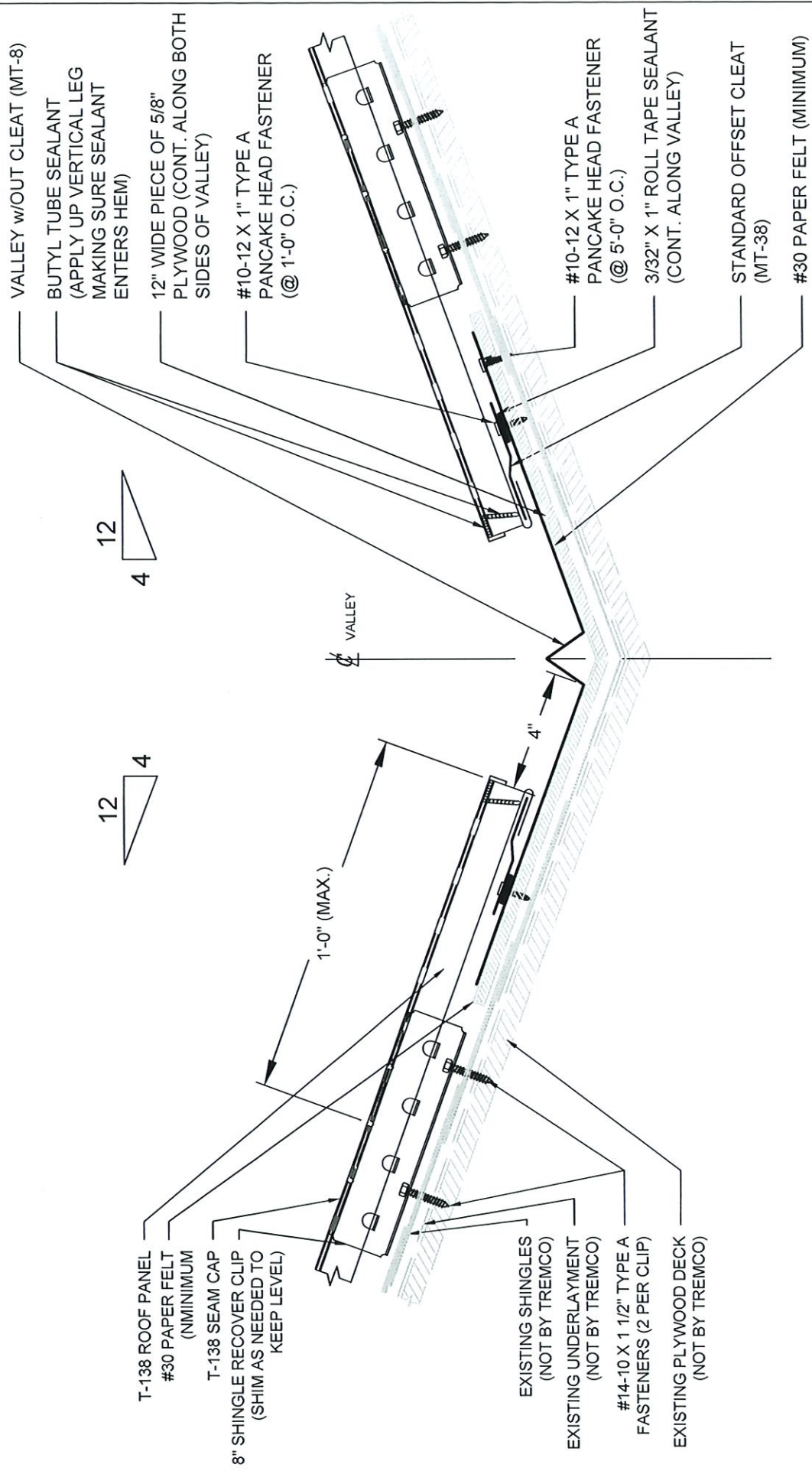
1/4-14 X 7/8" LAP TEK ZAC FASTENER (@ 3" O.C. MAX)

HEAVY GAUGE MT-38 OFFSET CLEAT

TREMLOCK T-138 OVER SHINGLES  
 TYPICAL CURB - SECTION B-B  
 T-138-9C

N.T.S.





TREMLOCK T-138 OVER SHINGLES  
 VALLEY  
 T-138-10

N.T.S.