
Sourcewell Quotes

4 messages

Beth MacKenna <beth.mackenna@rimsd41.org>

Thu, Apr 30, 2026 at 11:19 AM

To: Beth MacKenna <beth.mackenna@rimsd41.org>

Bcc: Adrian Tuck <a.tuck@bargreen.com>, tteclaw@cooksdirect.com, quotes@pascoinc.net, daniel.ramon@sysco.com, Mark Burden <mburden@staffordsmith.com>, amy.leasure@trimarkusa.com, kim.sellars@usfoods.com, jim.benson@sourcewell-mn.gov, jessica.vukelich@sourcewell-mn.gov, Travis Cone <TCone@cones.com>

Good morning:

I am accepting bids for the following item:

Four (4) Double Convection Oven Vulcan model: VC44G natural gas

Include in the pricing:

- Installation, old unit disposal
 - NO DOCK, required liftgate (if included please note)
 - NO STAIRS at any location
1. Rock Island High School, 1400 25th Avenue, Rock Island, IL 61201 (replacing double)
 2. Washington Junior High, 3300 18th Avenue, Rock Island, IL 61201 (replacing double)
 3. Denkmann Elementary School, 4101 22nd Avenue Rock Island, IL 61201 (replacing single)
 4. Center For Math and Science, 2101 16th Avenue, Rock Island, IL 61201 (replacing double)
- But...must go through a single door 36 in wide
 - Casters for all

All bid quotes must be submitted no later than noon on May 22 to be considered. Final decisions will be made and communicated by May 29, and will be presented to the School Board on June 9, 2026.

Respectfully,

Beth MacKenna

**Beth MacKenna**

Director of Nutrition Services

Rock Island - Milan School District #41

2000 7th Avenue, Rock Island, IL 61201

Office: (309) 793-5900 x 10220

Cell: (309) 429-2070

Fax: (309) 793-5905

Email: beth.mackenna@rimsd41.org

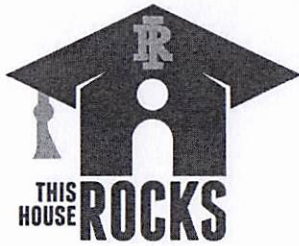
Site: <http://www.rimsd41.org>**Our Purpose: To educate for individual student success.**

 **VC44G-Series-Conv-Oven-Spec-Sheet-F32434-03-20.pdf**
302K**Jessica Vukelich** <Jessica.Vukelich@sourcewell-mn.gov>

Thu, Apr 30, 2026 at 12:07 PM

To: Beth MacKenna <beth.mackenna@rimsd41.org>

Cc: Jim Benson <Jim.Benson@sourcewell-mn.gov>



Rock Island-Milan School District #41
 2000 7th Avenue - Rock Island, Illinois 61201
 Beth MacKenna
 Director of Nutrition Services
 309-581-2147

Project Name: Double Convection Oven
 RIMS - WJHS - Denk - CMS

Install lifegate Connect Casters

Contractor Name	Addenda			Bid Bond Total x4	Base Bid Price	Alt #001	Alt #002	Alt #003	Alt #004
	1	2	3						
Cooks				59212.72	46982.36	10,000	600	740	890.36
TriMark				56201.92	49354.96	6221.20	0	0	625.20
Stafford-Smith				45,203.32	39110.40	5100		399.	593.92
bargreen				0					
Sysco				0					
us foods				0					

pascodine 0

Good afternoon, Beth,

The following contracts should be able to provide a solution for you:

TriMark USA: Contract 063022-SES | Sourcewell

Amy Leasure, Account Representative

Mobile: 972-896-9893

Email: amy.leasure@trimarkusa.com

Derek Wyles, Sales Executive

Phone: 229-344-3461

Email: derek.wyles@trimarkusa.com

Matthew Harlan, Vice President – Contract & Institutional Sales, Southeast

Phone: 720-937-1148

Email: matthew.harlan@trimarkusa.com

Stafford-Smith: Contract 063022-STF | Sourcewell

Julie Holden, Account Executive, Sourcewell Lead - Northern US

Phone: 800-968-2442 4308

Email: jholden@staffordsmith.com

Brandon Reynolds, Account Executive, Sourcewell Lead - Southern US

Phone: 800-968-2442 2510

Email: bdreynolds@staffordsmith.com

Pasco Brokerage: Contract 063022-PAS | Sourcewell

Quotes For Pasco

Phone: 972.596.3350

Email: quotes@pascoinc.net

Cook's Direct: Contract 063022-COK | Sourcewell

Teri Teclaw, Contracts Manager

Email: tteclaw@cooksdirect.com

Bargreen Ellingson: Contract 063022-BRG | Sourcewell

Emma Thompson, Contract Support - National

Phone: 778-928-3064

Email: ethompson@bargreen.com

Adrian Tuck, Contract Sales Manager - National

Phone: 604-710-5808

Email: a.tuck@bargreen.com

To purchase off any of these contracts or for questions regarding products and pricing, you will want to contact the suppliers directly. You can find their contact information above along with the contract links.

Just an FYI - the Commercial Kitchen Equipment category is currently under review for new awards. The Current contracts mature in early August; the new awards should be available in early summer.

If you have any additional questions or need further assistance, please feel free to reach out to me. I'm here to help!

Thank you,

Jessica Vukelich | Supplier Development Specialist

Office: 218-894-5492 Cell: 218-838-3062

Website: www.sourcewell-mn.gov



From: Beth MacKenna <beth.mackenna@rimsd41.org>
Sent: Thursday, April 30, 2026 11:20 AM
To: Beth MacKenna <beth.mackenna@rimsd41.org>
Subject: Sourcewell Quotes

You don't often get email from beth.mackenna@rimsd41.org. Learn why this is important

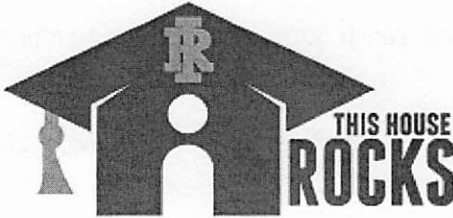
EXTERNAL

[Quoted text hidden]

RIMnet Dept Links: T&L | HR | TECH | PPS | MAINT

Beth MacKenna <beth.mackenna@rimsd41.org> Thu, May 7, 2026 at 12:35 PM
To: Beth MacKenna <beth.mackenna@rimsd41.org>
Bcc: Adrian Tuck <a.tuck@bargreen.com>, tteclaw@cooksdirect.com, quotes@pascoinc.net, daniel.ramon@sysco.com, Mark Burden <mburden@staffordsmith.com>, amy.leasure@trimarkusa.com, kim.sellars@usfoods.com, jim.benson@sourcewell-mn.gov, jessica.vukelich@sourcewell-mn.gov, Travis Cone <TCone@cones.com>

- Installation- does this mean you want the new units hooked up, or will the school be responsible for connecting them to current utilities?
- Schools can connect the gas lines
- Do you need new gas hoses? If so, do they currently have one gas connection or (2) separate hoses for each deck?
- Yes, include a new gas line for each unit. 2 separate
- old unit disposal – will the unit be already disconnected for the installer to remove and dispose of it or will they need to disconnect the existing?
- Schools will disconnect gas lines



Beth MacKenna

Director of Nutrition Services

Rock Island - Milan School District #41

2000 7th Avenue, Rock Island, IL 61201

Office: (309) 793-5900 x 10220

Cell: (309) 429-2070

Fax: (309) 793-5905

Email: beth.mackenna@rimsd41.org

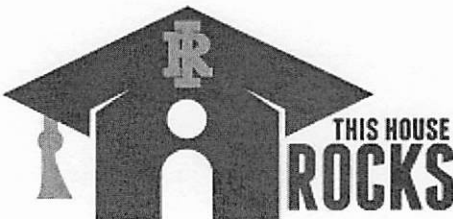
Site: <http://www.rimsd41.org>

Our Purpose: To educate for individual student success.

[Quoted text hidden]

Beth MacKenna <beth.mackenna@rimsd41.org>
To: "Moutry, Deborah" <Deborah.Moutry@trimarkusa.com>

Thu, May 7, 2026 at 12:50 PM



Beth MacKenna

Director of Nutrition Services

Rock Island - Milan School District #41

2000 7th Avenue, Rock Island, IL 61201

Office: (309) 793-5900 x 10220

Cell: (309) 429-2070

Fax: (309) 793-5905

Email: beth.mackenna@rimsd41.org

Site: <http://www.rimsd41.org>

Our Purpose: To educate for individual student success.

[Quoted text hidden]

RE: Sourcewell Quotes - Rock Island - Milan School District #41

2 messages

April Fields <afields@pascoinc.net>
To: Beth MacKenna <beth.mackenna@rimsd41.org>
Cc: Quotes <quotes@pascoinc.net>

Mon, May 11, 2026 at 8:39 AM

I am not able to provide inside delivery/installation. Do you want an equipment only quote?

Please reply ALL to any correspondence.

Thanks-



APRIL FIELDS
6465 CHASE OAKS BLVD.
PLANO, TX 75023
PH: 972-596-3350
DIR: 469-395-0205
FAX: 972-596-2817
AFIELDS@PASCOINC.NET
pasco
FOODSERVICE EQUIPMENT & SUPPLIES

From: Beth MacKenna
Sent: Thursday, May 7, 2026 12:36 PM
To: Beth MacKenna <beth.mackenna@rimsd41.org>
Subject: Re: Sourcewell Quotes

- Installation- does this mean you want the new units hooked up, or will the school be responsible for connecting them to current utilities?
- Schools can connect the gas lines
- Do you need new gas hoses? If so, do they currently have one gas connection or (2) separate hoses for each deck?
- Yes, include a new gas line for each unit. 2 separate
- old unit disposal – will the unit be already disconnected for the installer to remove and dispose of it or will they need to disconnect the existing?

COOK'S

Quote

05/22/2026

To:
 Rock Island - Milan School District
 #41
 2101 6th Ave
 Rock Island, IL 61201
 (309) 793-5900 (Contact)
 Customer ID: 61201-3
 Project Code: 41472

Project:
 Rock Island - Milan School District
 #41


From:
 Cook's Direct
 Nick Crowley
 2250 75th Street Suite 200
 Woodridge, IL 60517
 630-914-6988


Job Reference Number: 39245

Item	Qty	Description	Sell	Sell Total
RIHS	1 ea	CONVECTION OVEN, GAS Garland Model No. MCO-GS-20-S Master Series Convection Oven, gas, double-deck, standard depth 41-1/2", (2) speed fan, Master 200 solid state controls with 1 hour timer, electric ignition, (2) speed fan, dependent 60/40 doors with windows, stainless steel front, sides & top, porcelain cavity, 24" cooking cavity height, with (6) chrome plated oven racks on 13-position rack guides, 6-1/2" legs, 120,000 BTU (Garland), UL, cUL, NSF Dimensions 70.5(h) x 38(w) x 41.25(d)	\$11,745.59	\$11,745.59
	1 ea	LIFT GATE Lift Gate Fee	\$150.00	\$150.00
	1 ea	INSTALLATION Installation and removal of old unit	\$2,500.00	\$2,500.00
	1 kt	T&S Brass HG-4E-48K Safe-T-Link Gas Connector Kit, 1" connection, 48" hose, stainless steel braiding with extruded coating, (1) Quick-Disconnect, (1) street "EL", ball valve, restraining cable adjustable for 3'to 5', 335,000 BTU / hr minium flow capacity	\$185.00	\$185.00
	1 ea	(2) year limited parts & (1) year labor warranty, Door warranty (5) year limited parts except window, covers products purchased and installed in the USA & Canada only, standard		
	1 ea	Natural gas, specify elevation if over 2,000 ft		
	1 ea	NOTE: Contact factory for other connection options		
	1 ea	(2) 120v/60/1-ph, 9.8 amps, NEMA 5-15P (3/4 HP motor), standard		
	1 ea	Top Oven: Stainless steel enclosed back, standard		
	1 ea	Bottom Oven: Stainless steel enclosed back, standard		
	1 ea	Low profile casters with front brakes (set of four) double deck ovens only	\$222.59	\$222.59
			ITEM TOTAL:	\$14,803.18
WJH	1 ea	CONVECTION OVEN, GAS	\$11,745.59	\$11,745.59



X4
 \$59,212.72

Item	Qty	Description	Sell	Sell Total
		Garland Model No. MCO-GS-20-S Master Series Convection Oven, gas, double-deck, standard depth 41-1/2", (2) speed fan, Master 200 solid state controls with 1 hour timer, electric ignition, (2) speed fan, dependent 60/40 doors with windows, stainless steel front, sides & top, porcelain cavity, 24" cooking cavity height, with (6) chrome plated oven racks on 13-position rack guides, 6-1/2" legs, 120,000 BTU (Garland), UL, cUL, NSF Dimensions 70.5(h) x 38(w) x 41.25(d)		
	1 ea	LIFT GATE Lift Gate Fee	\$150.00	\$150.00
	1 ea	INSTALLATION Installation and removal of old unit	\$2,500.00	\$2,500.00
	1 kt	T&S Brass HG-4E-48K Safe-T-Link Gas Connector Kit, 1" connection, 48" hose, stainless steel braiding with extruded coating, (1) Quick-Disconnect, (1) street "EL", ball valve, restraining cable adjustable for 3'to 5', 335,000 BTU / hr minium flow capacity	\$185.00	\$185.00
	1 ea	(2) year limited parts & (1) year labor warranty, Door warranty (5) year limited parts except window, covers products purchased and installed in the USA & Canada only, standard		
	1 ea	Natural gas, specify elevation if over 2,000 ft		
	1 ea	NOTE: Contact factory for other connection options		
	1 ea	(2) 120v/60/1-ph, 9.8 amps, NEMA 5-15P (3/4 HP motor), standard		
	1 ea	Top Oven: Stainless steel enclosed back, standard		
	1 ea	Bottom Oven: Stainless steel enclosed back, standard		
	1 ea	Low profile casters with front brakes (set of four) double deck ovens only	\$222.59	\$222.59
			ITEM TOTAL:	\$14,803.18

DES	1 ea	CONVECTION OVEN, GAS	\$11,745.59	\$11,745.59
		Garland Model No. MCO-GS-20-S Master Series Convection Oven, gas, double-deck, standard depth 41-1/2", (2) speed fan, Master 200 solid state controls with 1 hour timer, electric ignition, (2) speed fan, dependent 60/40 doors with windows, stainless steel front, sides & top, porcelain cavity, 24" cooking cavity height, with (6) chrome plated oven racks on 13-position rack guides, 6-1/2" legs, 120,000 BTU (Garland), UL, cUL, NSF Dimensions 70.5(h) x 38(w) x 41.25(d)		
	1 ea	LIFT GATE Lift Gate Fee	\$150.00	\$150.00
	1 ea	INSTALLATION Installation and removal of old unit	\$2,500.00	\$2,500.00
	1 kt	T&S Brass HG-4E-48K Safe-T-Link Gas Connector Kit, 1" connection, 48" hose, stainless steel braiding with extruded coating, (1) Quick-Disconnect, (1) street "EL", ball valve, restraining cable adjustable for 3'to 5', 335,000 BTU / hr minium flow capacity	\$185.00	\$185.00
	1 ea	(2) year limited parts & (1) year labor warranty, Door warranty (5) year limited parts except window, covers products purchased and		

Initial: _____

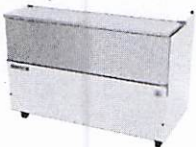
Item	Qty	Description	Sell	Sell Total
		installed in the USA & Canada only, standard		
	1 ea	Natural gas, specify elevation if over 2,000 ft		
	1 ea	NOTE: Contact factory for other connection options		
	1 ea	(2) 120v/60/1-ph, 9.8 amps, NEMA 5-15P (3/4 HP motor), standard		
	1 ea	Top Oven: Stainless steel enclosed back, standard		
	1 ea	Bottom Oven: Stainless steel enclosed back, standard		
	1 ea	Low profile casters with front brakes (set of four) double deck ovens only	\$222.59	\$222.59
			ITEM TOTAL:	\$14,803.18

CFMS



1 ea	CONVECTION OVEN, GAS		\$11,745.59	\$11,745.59
	Garland Model No. MCO-GS-20-S			
	Master Series Convection Oven, gas, double-deck, standard depth 41-1/2", (2) speed fan, Master 200 solid state controls with 1 hour timer, electric ignition, (2) speed fan, dependent 60/40 doors with windows, stainless steel front, sides & top, porcelain cavity, 24" cooking cavity height, with (6) chrome plated oven racks on 13-position rack guides, 6-1/2" legs, 120,000 BTU (Garland), UL, cUL, NSF			
	Dimensions 70.5(h) x 38(w) x 41.25(d)			
1 ea	LIFT GATE Lift Gate Fee		\$150.00	\$150.00
1 ea	INSTALLATION Installation and removal of old unit		\$2,500.00	\$2,500.00
1 kt	T&S Brass HG-4E-48K Safe-T-Link Gas Connector Kit, 1" connection, 48" hose, stainless steel braiding with extruded coating, (1) Quick-Disconnect, (1) street "EL", ball valve, restraining cable adjustable for 3'to 5', 335,000 BTU / hr minium flow capacity		\$185.00	\$185.00
1 ea	(2) year limited parts & (1) year labor warranty, Door warranty (5) year limited parts except window, covers products purchased and installed in the USA & Canada only, standard			
1 ea	Natural gas, specify elevation if over 2,000 ft			
1 ea	NOTE: Contact factory for other connection options			
1 ea	(2) 120v/60/1-ph, 9.8 amps, NEMA 5-15P (3/4 HP motor), standard			
1 ea	Top Oven: Stainless steel enclosed back, standard			
1 ea	Bottom Oven: Stainless steel enclosed back, standard			
1 ea	Low profile casters with front brakes (set of four) double deck ovens only		\$222.59	\$222.59
			ITEM TOTAL:	\$14,803.18

RIHS



1 ea	MILK COOLER		\$3,404.27	\$3,404.27
	Beverage Air Model No. SM58HC-W			
	School Milk Cooler, cold wall, normal temperature, 58"W x 30-5/8"D x 41-1/8"H, 22.63 cu. ft., single access, flat top carton capacities, (16) 13" x 13" x 11" or (10) 19" x 13" x 11" case capacity, self-latching doors/lids with safety bumpers, cylinder lock, wire floor racks, floor drain, electronic control, manual defrost, galvanized steel interior with stainless steel floor, white exterior,			


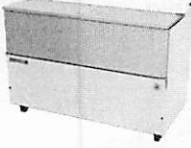
15
\$1742.
35

Item	Qty	Description	Sell	Sell Total
		R290 Hydrocarbon refrigerant, 1/3 HP, cULus, UL EPH Classified, UL-Sanitation Dimensions 41.13(h) x 58(w) x 30.63(d)		
	1 ea	7 year parts & labor and 7 year compressor warranty (excludes maintenance items)		
	1 ea	115v/60/1-ph, 2.2 amps, cord with NEMA 5-15P		
	1 ea	4" Heavy duty casters, (2) with brakes, standard		
	1 ea	Lift gate delivery, per load (Required if there is no dock at the location or if there is no forklift onsite to take the unit(s) off the truck) (NET)	\$80.00	\$80.00
			ITEM TOTAL:	\$3,484.27

Item	Qty	Description	Sell	Sell Total
DES	1 ea	MILK COOLER Beverage Air Model No. SM58HC-W School Milk Cooler, cold wall, normal temperature, 58"W x 30-5/8"D x 41-1/8"H, 22.63 cu. ft., single access, flat top carton capacities, (16) 13" x 13" x 11" or (10) 19" x 13" x 11" case capacity, self-latching doors/lids with safety bumpers, cylinder lock, wire floor racks, floor drain, electronic control, manual defrost, galvanized steel interior with stainless steel floor, white exterior, R290 Hydrocarbon refrigerant, 1/3 HP, cULus, UL EPH Classified, UL-Sanitation Dimensions 41.13(h) x 58(w) x 30.63(d)		
	1 ea	7 year parts & labor and 7 year compressor warranty (excludes maintenance items)		
	1 ea	115v/60/1-ph, 2.2 amps, cord with NEMA 5-15P		
	1 ea	4" Heavy duty casters, (2) with brakes, standard		
	1 ea	Lift gate delivery, per load (Required if there is no dock at the location or if there is no forklift onsite to take the unit(s) off the truck) (NET)	\$80.00	\$80.00
			ITEM TOTAL:	\$3,484.27

Item	Qty	Description	Sell	Sell Total
HMLC	1 ea	MILK COOLER Beverage Air Model No. SM58HC-W School Milk Cooler, cold wall, normal temperature, 58"W x 30-5/8"D x 41-1/8"H, 22.63 cu. ft., single access, flat top carton capacities, (16) 13" x 13" x 11" or (10) 19" x 13" x 11" case capacity, self-latching doors/lids with safety bumpers, cylinder lock, wire floor racks, floor drain, electronic control, manual defrost, galvanized steel interior with stainless steel floor, white exterior, R290 Hydrocarbon refrigerant, 1/3 HP, cULus, UL EPH Classified, UL-Sanitation Dimensions 41.13(h) x 58(w) x 30.63(d)		
	1 ea	7 year parts & labor and 7 year compressor warranty (excludes maintenance items)		
	1 ea	115v/60/1-ph, 2.2 amps, cord with NEMA 5-15P		

Initial: _____

Item	Qty	Description	Sell	Sell Total
	1 ea	4" Heavy duty casters, (2) with brakes, standard		
	1 ea	Lift gate delivery, per load (Required if there is no dock at the location or if there is no forklift onsite to take the unit(s) off the truck) (NET)	\$80.00	\$80.00
			ITEM TOTAL:	\$3,484.27
EFE	1 ea	MILK COOLER Beverage Air Model No. SM58HC-W School Milk Cooler, cold wall, normal temperature, 58"W x 30-5/8"D x 41-1/8"H, 22.63 cu. ft., single access, flat top carton capacities, (16) 13" x 13" x 11" or (10) 19" x 13" x 11" case capacity, self-latching doors/lids with safety bumpers, cylinder lock, wire floor racks, floor drain, electronic control, manual defrost, galvanized steel interior with stainless steel floor, white exterior, R290 Hydrocarbon refrigerant, 1/3 HP, cULus, UL EPH Classified, UL-Sanitation Dimensions 41.13(h) x 58(w) x 30.63(d)	\$3,404.27	\$3,404.27
				
	1 ea	7 year parts & labor and 7 year compressor warranty (excludes maintenance items)		
	1 ea	115v/60/1-ph, 2.2 amps, cord with NEMA 5-15P		
	1 ea	4" Heavy duty casters, (2) with brakes, standard		
	1 ea	Lift gate delivery, per load (Required if there is no dock at the location or if there is no forklift onsite to take the unit(s) off the truck) (NET)	\$80.00	\$80.00
			ITEM TOTAL:	\$3,484.27
WJH	1 ea	MILK COOLER Beverage Air Model No. SM58HC-W School Milk Cooler, cold wall, normal temperature, 58"W x 30-5/8"D x 41-1/8"H, 22.63 cu. ft., single access, flat top carton capacities, (16) 13" x 13" x 11" or (10) 19" x 13" x 11" case capacity, self-latching doors/lids with safety bumpers, cylinder lock, wire floor racks, floor drain, electronic control, manual defrost, galvanized steel interior with stainless steel floor, white exterior, R290 Hydrocarbon refrigerant, 1/3 HP, cULus, UL EPH Classified, UL-Sanitation Dimensions 41.13(h) x 58(w) x 30.63(d)	\$3,404.27	\$3,404.27
				
	1 ea	7 year parts & labor and 7 year compressor warranty (excludes maintenance items)		
	1 ea	115v/60/1-ph, 2.2 amps, cord with NEMA 5-15P		
	1 ea	4" Heavy duty casters, (2) with brakes, standard		
	1 ea	Lift gate delivery, per load (Required if there is no dock at the location or if there is no forklift onsite to take the unit(s) off the truck) (NET)	\$80.00	\$80.00
			ITEM TOTAL:	\$3,484.27

Subtotal	\$76,634.07
Total	\$76,634.07

Quote Approval

By affixing their signature to this document, the undersigned hereby affirms the accuracy of the provided information. The signee acknowledges that all utilities and dimensions specified are compatible with the operational requirements at the designated facility. Furthermore, it is confirmed that the listed equipment is suitable for passage through doorways, hallways, and vestibules from the receiving area to the kitchen.

In the event of equipment returns attributable to inaccuracies in utilities or measurements, the signee acknowledges the imposition of a manufacturer restocking fee, in addition to the applicable return shipping charges.

Receiving Policy and Guidelines:

Prior to signing for the delivery, it is crucial to thoroughly inspect and count all cartons. Check for crushed corners, wetness, or punctures on all cartons. Note any shortages, damages, or problems on the Bill of Lading. If the delivery includes equipment, inspect all parts before signing. In case of visible damage, take photos and refuse damaged boxes.

If a full inspection is not possible, please make a note on the bill of lading that you will inspect at a later time (within 24 hours of receipt). Report any concealed damage to Cook's Direct within 24 hours. Retain all original packaging and document with photos. Damaged equipment must be unused and held in your facility for up to 90 days as the freight claim is assessed by the carrier.

For refused shipments, the customer is responsible for full freight charges and applicable fees in both directions, unless the refusal is due to shipment damage or a shipping error made by CooksDirect.com.

Most items are eligible for return within a 30-day period from the customer's receipt of the shipment. Depending on the manufacturer, a restocking fee of 15% to 50% may be applicable. Return freight charges may also apply based on the manufacturer's policy. For inquiries regarding specific return policies for a particular manufacturer or product, kindly reach out to our Service and Support team at 1-866-506-3048 or via email at serviceandsupport@cooksdirect.com.

Please review the following criteria for returning an order:

1. Returned items must be unused, undamaged, and returned intact with original materials.
2. Special ordered or custom items cannot be returned.

Returns must be initiated within the first 30 days of receipt. Orders exceeding the 30-day return window are not eligible for returns through Cook's Direct. For product issues, please contact the manufacturer, as most large equipment is covered by a 1-year warranty.

Shipping & Delivery Information:

To ensure your order is processed in a timely manner please provide the following information along with your signature:

Delivery Address

Contact Name:

Phone Number:

Receiving Hours:

Receiving Dock Onsite (Y/N):

(If there is no dock onsite, additional fees for lift gate service may apply)

Note: large/oversized items may deliver on a full sized semi truck. If your receiving area cannot accommodate a full sized truck please notify your sales or sales support representative.

Forklift/Pallet Jack Onsite (Y/N):

Terms of Sale:

No invoice deductions are permitted. Past due balances are subject to 1% interest per month. Credit card payments may be subject to a processing fee.

Acceptance: _____ Date: _____

Printed Name: _____

Project Grand Total: \$76,634.07

GARLAND®

Master Series Gas Convection Oven

Project _____
Item _____
Quantity _____
CSI Section 11400
Approved _____
Date _____

Models

- MCO-GS-10-S
- MCO-GS-20-S
- MCO-GD-10-S
- MCO-GD-20-S



Model MCO-GS-10-S

Standard Features

- Master 200 Solid-State digital control with 150°F (66°C) to 500° (260°C) temperature range and 90-minute digital timer
- Direct spark with 100% safety shut-off
- 2-speed fan control (high & low) with .6 HP fan motor
- Total of 60,000 BTU (17.6 kW) loading per oven cavity
- Natural or propane gas
- Stainless steel front, sides, top, and legs
- 60/40 dependent door design with double pane thermal window in both doors and interior lighting
- Full-length, stainless steel positive door closure
- Patented "Safety Door System"
- Porcelain enameled oven interior with coved corners
- 24" cooking cavity height w/6 chrome-plated oven racks on 13-position rack guides
- Double-deck models available, suffix -20-S
- Deep-depth models available prefix MCO-GD

Warranty

- 2-year limited part & 1-year labor warranty (USA & Canada only)
- 5-year limited door warranty, excluding window (USA & Canada only)

Options & Accessories

- 80,000 BTU (23.4kW) burner package (natural gas)
- Stainless steel solid door(s) (specify) - No charge
- Deck fasteners
- Extra oven racks
- Swivel casters, (4) w/front brakes
- Four low-profile casters, w/front brakes (double ovens only)
- Stainless steel open base with rack guides and shelf
- Direct connect vent
- Back enclosure (stainless steel)
- 3/4" gas flex hose & quick disconnect
- 208 or 240 volt, single-phase motor (please specify)
- Maximum security package available contact factory for details

Specifications

Garland Master Series full-size standard-depth, prefix MCO-GS or deep-depth, prefix MCO-GD, gas convection oven.

60,000 BTU (17.6 kW)/cavity,

.6 HP fan motor with two-speed fan control.

Electronic spark ignition.

Natural or propane gas.

Master 200 solid-state control with digital timer.

Porcelain enameled oven interior with coved corners,

Six (6) oven racks and 13-position rack guides.

All model interiors are 29" (736mm) W by 24" (610mm) H, depth is 24" (610mm) for standard depth and 28" (711mm) for deep-depth.

Stainless steel front, sides, top, and legs.

60/40 dependent door design with double pane thermal window in both doors and interior lighting.

Models with suffix -20-S are double-deck units.

Specify voltage if other than 115 volt, 60 Hz, 1-phase.

UL, CUL Gas-Fired and NSF Listed.



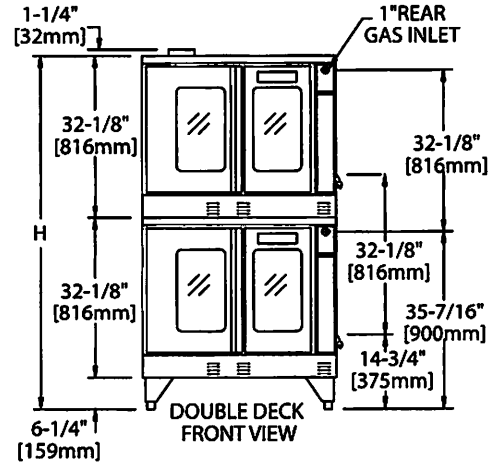
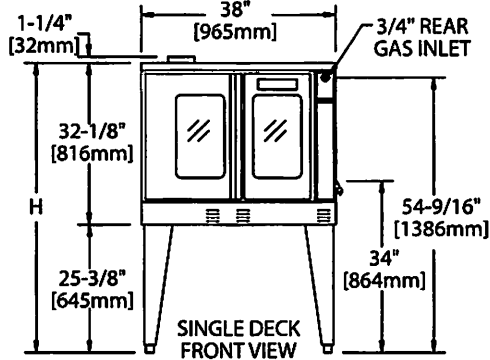
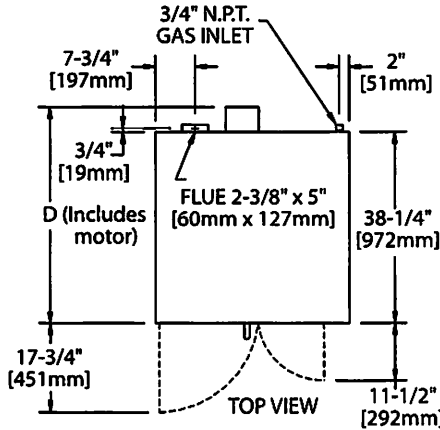
Master Series Gas Convection Oven

Garland Commercial Ranges Ltd.
1177 Kamato Road,
Mississauga, Ontario
L4W 1X4 CANADA

General Inquires 1-905-624-0260
USA Sales, Parts and Service 1-800-424-2411
Canadian Sales 1-888-442-7526
Canada or USA Parts/Service 1-800-427-6668

www.garland-group.com
6823C
03/26





Gas Input Ratings shown here are for installations up to 2,000 ft. (610m) above sea level. Specify altitudes over 2,000 ft. Please specify gas type when ordering.

Combustible Wall Clearances:

Sides: 1" (25mm) Back: 3" (76mm)
 Crated: 47" (1194mm) Uncrated: 32½" (826mm)
 Note: Installations beside units with high heat sources it is recommended to leave 6" (152mm) on the right side of oven. Refer to the installation manual for more details.

Manifold Operating Pressure:

Natural: 4.5" WC (11 mbar) Propane: 10" WC (25 mbar) Max 13.8" WC @ 70°F
 Note: Data applies only to North America

PLEASE NOTE:

- Standard electrical specifications include motor requirements (120V units) 115V, .6 HP, 2-speed motor; 1140 and 1725 rpm, 60Hz.
- (240V units) 200-240V, .6 HP, 2-speed motor; 1140 and 1725 rpm, 60 Hz.
- A 6 ft. line cord is provided for each 120V deck with a (NEMA #5-15P) plug.

SINGLE-DECK MODELS	INT. DIMENSIONS: In mm			EXT. DIMENSIONS: In mm			SHIP WT. lbs/kg	SHIP DIM. cubic Ft.
	W	H	D	W	H*	D		
Standard Depth	29 (736)	24 (610)	24 (610)	38 (965)	57-1/2 (1461)	41-1/4(1048)	515/230	64
Deep Depth	29 (736)	24 (610)	28 (711)	38 (965)	57-1/2 (1461)	44-1/2(1130)	545/245	64

DOUBLE-DECK MODELS	INT. DIMENSIONS: In mm			EXT. DIMENSIONS In mm			SHIP WT. 2@lbs/kg	SHIP DIM. Cubic Ft.
	W	H	D	W	H*	D		
Standard Depth	29 (736)	24 (610)	24 (610)	38 (965)	70-1/2 (1791)	41-1/4(1048)	1030/465	128
Deep Depth	29 (736)	24 (610)	28 (711)	38 (965)	70-1/2 (1791)	44-1/2(1130)	1090/490	128

*Height with or without standard casters. Height with low profile casters (double deck) is 68-1/2" (1740mm).

MODELS	INPUT RATINGS, NAT & PRO			ELECTRICAL SPECIFICATIONS	
	BTU/hr	kW Eqiv.	Gas Inlet	120V/1Ph.	240V/1Ph.
Single Deck	60,000	17.6	(1)@3/4" NPT	(1)@9.8A	(1)@5.2A
Double Deck	120,000	35.2	(1)@1" NPT	(2)@9.8A	(2)@5.2A

Garland reserves the right to make changes to the design or specifications without prior notice.

Garland Commercial Ranges Ltd.
 1177 Kamato Road,
 Mississauga, Ontario
 L4W 1X4 CANADA

General Inquires 1-905-624-0260
 USA Sales, Parts and Service 1-800-424-2411
 Canadian Sales 1-888-442-7526
 Canada or USA Parts/Service 1-800-427-6668

www.garland-group.com
 6823C
 03/26





T&S BRASS AND BRONZE WORKS, INC.

2 Saddleback Cove / P.O. Box 1088
Travelers Rest, SC 29690

Model No.

HG-4-K Series

Item No.

Travelers Rest, SC: 800-476-4103 • Simi Valley, CA: 800-423-0150 • Fax: 864-834-3518 • www.tsbrass.com

This Space for Architect/Engineer Approval

Job Name _____ Date _____

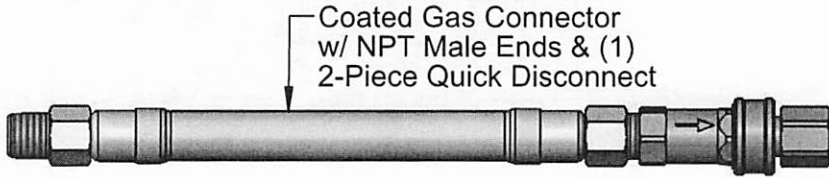
Model Specified _____ Quantity _____

Customer/Wholesaler _____

Contractor _____

Architect/Engineer _____

SAFE-T-LINK

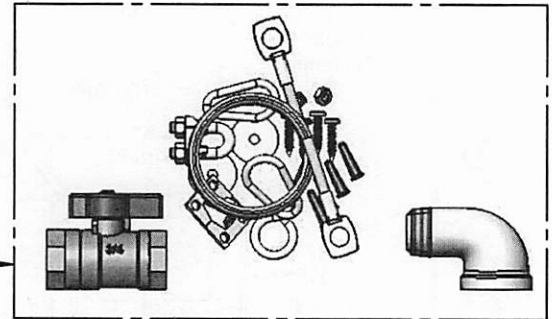


Coated Gas Connector
w/ NPT Male Ends & (1)
2-Piece Quick Disconnect



Street El

Installation Kit:
Restraining Cable,
Street El, Ball Valve



"L" = Length	1/2" NPT
12"	HG-4C-12K
24"	HG-4C-24K
36"	HG-4C-36K
48"	HG-4C-48K
60"	HG-4C-60K
72"	HG-4C-72K

"L" = Length	3/4" NPT
12"	HG-4D-12K
24"	HG-4D-24K
36"	HG-4D-36K
48"	HG-4D-48K
60"	HG-4D-60K
72"	HG-4D-72K

"L" = Length	1" NPT
12"	HG-4E-12K
24"	HG-4E-24K
36"	HG-4E-36K
48"	HG-4E-48K
60"	HG-4E-60K
72"	HG-4E-72K

"L" = Length	1 1/4" NPT
12"	HG-4F-12K
24"	HG-4F-24K
36"	HG-4F-36K
48"	HG-4F-48K
60"	HG-4F-60K
72"	HG-4F-72K

HG-4-K Series Product Configurator: HG - 4 - K

Ex: HG - 4 - K

Gas Hose, 3/4" NPT Male Ends, 36" Length, (1) 2-Piece Quick Disconnect,
(1) Street El, (1) Installation Kit

Product Specifications:

Safe-T-Link Gas Appliance Connector: Coated Gas Hose, NPT Male Ends, 2-Piece Quick Disconnect and Street Elbow

Product Compliance:

ANSI Z21.69 / CSA 6.16
NSF 2
NFPA 54



05/12/2026

ROCK_ISL

Quote

<p>tri: Rock Island - Milan School District #41 Beth MacKenna 2000 7th Avenue Rock Island, IL 61201 (309) 793-5900 x 10220 (Contact) (309) 429-2070 (Cell) beth.mackenna@rimsd41.org</p>	<p>From: Debbie Moutry TriMark Marlinn Bedford Park, IL 60638 708-673-2239 Deborah.Moutry@trimarkusa.com</p>
<p>Project: Rock Island - Milan School District #41- Convection Ovens Bid</p>	

We are pleased to submit our quote for the project below.

NOTE: THIS PRICE QUOTED FOR TWO SCHOOLS BEING COMPLETED ON THE SAME DAY

Important Notes:

Prices may not reflect applicable tariffs. Any increase in costs resulting from tariffs shall be added to the total price included in this Quote. TriMark will provide advanced notice of any price increase due to tariffs.

Trimark does not do any electrical, gas or plumbing disconnects or reconnect of equipment that needs to be completed by appropriate trade.

If you have any further question please contact me at any time.

*****Prices may not reflect applicable tariffs. Any increase in costs resulting from tariffs shall be added to the total price included in this Quote. TriMark will provide advanced notice of any price increase due to tariffs. *****

This Pricing is in accordance with the Sourcwell Contract #063022-SES-FoodserviceEquipment and Supplies

Pricing good for 30 days.

Item	Qty	Description	Sell	Sell Total
------	-----	-------------	------	------------

1	1 ea CONVECTION OVEN, GAS Vulcan VC44GD-QS-PLATINUM	\$12,338.74	\$12,338.74
	1 ea 1 year limited parts & labor warranty, standard		
	1 ea K-12 School Nutrition extended warranty extends the warranty for 12 months beyond the 12 month Original Equipment Warranty, not to exceed 24 months from date of installation		
	1 ea Natural gas (specify elevation if over 2,000 ft.)		
	1 ea (2) 120v/60/1-ph, 15.4 amps total, (2) cords with plugs, standard		
	1 ea Gas manifold piping included with stacking kit to provide single point gas connection		
	1 st Casters, set of (4) in lieu of standard legs Delivery: Rock Island High School, 1400 25th Avenue, Rock Island, IL 61201	\$156.30	\$156.30
	(replacing double)		
	• Installation, old unit disposal • NO DOCK, required liftgate (if included please note) • NO STAIRS at any location • But...must go through a single door 36 in wide • Casters for all		
Class 85	Weight: 928 lbs total	Extended Total:	\$12,495.04

2	1 ea CONVECTION OVEN, GAS Vulcan VC44GD-QS-PLATINUM	\$12,338.74	\$12,338.74
	1 ea 1 year limited parts & labor warranty, standard		
	1 ea K-12 School Nutrition extended warranty extends the warranty for 12 months beyond the 12 month Original Equipment Warranty, not to exceed 24 months from date of installation		
	1 ea Natural gas (specify elevation if over 2,000 ft.)		
	1 ea (2) 120v/60/1-ph, 15.4 amps total, (2) cords with plugs, standard		
	1 ea Gas manifold piping included with stacking kit to provide single point gas connection		
	1 st Casters, set of (4) in lieu of standard legs Delivery: Washington Junior High, 3300 18th Avenue, Rock Island, IL 61201	\$156.30	\$156.30
	(replacing double)		
	• Installation, old unit disposal • NO DOCK, required liftgate (if included please note) • NO STAIRS at any location • But...must go through a single door 36 in wide • Casters for all		
Class 85	Weight: 928 lbs total	Extended Total:	\$12,495.04

Item	Qty	Description	Sell	Sell Total
<u>3</u>	1 ea	CONVECTION OVEN, GAS Vulcan VC44GD-QS-PLATINUM	\$12,338.74	\$12,338.74
	1 ea	1 year limited parts & labor warranty, standard		
	1 ea	K-12 School Nutrition extended warranty extends the warranty for 12 months beyond the 12 month Original Equipment Warranty, not to exceed 24 months from date of installation		
	1 ea	Natural gas (specify elevation if over 2,000 ft.)		
	1 ea	(2) 120v/60/1-ph, 15.4 amps total, (2) cords with plugs, standard		
	1 ea	Gas manifold piping included with stacking kit to provide single point gas connection		
	1 st	Casters, set of (4) in lieu of standard legs Delivery: Denkmann Elementary School, 4101 22nd Avenue Rock Island, IL 61201 (replacing double) • Installation, old unit disposal • NO DOCK, required liftgate (if included please note) • NO STAIRS at any location • But...must go through a single door 36 in wide • Casters for all	\$156.30	\$156.30
	Class 85	Weight: 928 lbs total		
			Extended Total:	\$12,495.04
<u>4</u>	1 ea	CONVECTION OVEN, GAS Vulcan VC44GD-QS-PLATINUM	\$12,338.74	\$12,338.74
	1 ea	1 year limited parts & labor warranty, standard		
	1 ea	K-12 School Nutrition extended warranty extends the warranty for 12 months beyond the 12 month Original Equipment Warranty, not to exceed 24 months from date of installation		
	1 ea	Natural gas (specify elevation if over 2,000 ft.)		
	1 ea	(2) 120v/60/1-ph, 15.4 amps total, (2) cords with plugs, standard		
	1 ea	Gas manifold piping included with stacking kit to provide single point gas connection		
	1 st	Casters, set of (4) in lieu of standard legs Delivery to: Center For Math and Science, 2101 16th Ave., Rock Island, IL 61201 (replacing double) • Installation, old unit disposal • NO DOCK, required liftgate (if included please note) • NO STAIRS at any location • But...must go through a single door 36 in wide • Casters for all	\$156.30	\$156.30
	Class 85	Weight: 928 lbs total		
			Extended Total:	\$12,495.04
5	1 ea	DELIVERY & REMOVAL Lee's Foodservice Parts & Repairs DEL/REMOVAL	\$3,110.88	\$3,110.88
			Extended Total:	\$3,110.88
6	1 ea	DELIVERY & REMOVAL Lee's Foodservice Parts & Repairs DEL/REMOVAL	\$3,110.88	\$3,110.88
			Extended Total:	\$3,110.88
			Merchandise	\$56,201.92
			Subtotal	\$56,201.92
			Tax 10%	\$4,998.02
			Total	\$61,199.94

TriMark will make best efforts to hold the above prices for 14 days, but pricing may change due to manufacturer price increases out of TriMark's control.

TriMark reserves the right to make any corrections or adjustments due to prices quoted due to errors, market fluctuation, supply chain disruption tariffs, third party supplier changes in cost, or other factors outside of TriMark's control. TriMark will notify Customer promptly of such corrections or adjustments. TriMark reserves the right to cancel or refuse any order based on incorrect pricing or availability.

Where permitted by applicable state laws, we impose a surcharge on credit cards that is not greater than our cost of acceptance. Certain fabricated items may not be placed in production until the site is ready for field measurements. If the job site is not ready at the time of initial scheduled delivery, re-delivery and/or storage charges will apply. There will be a 2% per month warehouse charge in all situations where payment is not received per agreement or within 10 days of projected delivery date.

Unless otherwise agreed to by TriMark's credit department, payment terms are 50% due at time of order, 45% due seven (7) days prior to the scheduled delivery, with the remaining 5% due, as adjusted for all approved change orders and other costs, within thirty (30) days of delivery.

REMIT CHECKS TO:

TriMark Marlinn

Attn: Accounts Receivable

6100 W 73rd Street, Suite 1

Bedford Park IL 60638

*****Please note Customer Bill to Name & Salesman in the Memo*****

CREDIT CARDS:

Credit cards are not accepted on opening store package orders but can be utilized for future smallwares orders. If you would like to pay for future smallwares, a credit card authorization form will be provided upon request.

Major credit cards accepted: MASTERCARD, VISA, DISCOVER, AND AMERICAN EXPRESS (\$250.00 minimum requirement).

DOMESTIC/INTERNATIONAL WIRE TRANSFER INSTRUCTIONS:

Citizens Commercial Banking

1 Citizens Drive

Riverside, RI 02915

Transit Routing #: 011500120

SWIFT Code: CTZIUS33 (*for international use*)

Account #: 15469360

Wire Department: 1-877-471-1961

*****Please note Customer Bill to Name & Salesman in the Memo*****

ACH INSTRUCTIONS:

Transit Routing #: 011500120

Account #: 15469360

ACH Department: 1-800-883-4224

*****Please note Customer Bill to Name & Salesman in the Memo*****

EFT:

EFT form available upon request.

Thank you for your business! We look forward to serving you.

PRICE ADJUSTMENTS

Prices may not reflect applicable tariffs, duties, import fees, taxes, or other governmental charges. TriMark reserves the right to correct or adjust quoted prices at any time due to tariffs, market fluctuations, supply chain disruptions, third-party supplier cost changes, general contractor delays, or any other factors outside of TriMark’s control. TriMark will use commercially reasonable efforts to hold pricing for (7) seven calendar days from the date of the quote; however, all pricing remains subject to correction or adjustment as set forth above, including during the seven-day hold period.

TRIMARK RETURN POLICY

All returns must be unused, undamaged and in their original packaging. All returns are subject to inspection. If a returned item is not in its original packaging, the customer will be responsible for the repackaging cost. If a returned item is damaged or cannot be sold as new, partial or no credit will be provided based on the condition of the item(s). Please contact your TriMark representative to initiate a return.

Custom fabricated and made-to-order items are non-cancellable and non-returnable unless the return is due to TriMark’s mistake. This includes any product that has custom configurations or accessories.

Stock Supplies and Equipment can be returned within 30 days of delivery for a refund of the selling price and any taxes paid. Return freight charges are the responsibility of the customer.

Non-Stock, non-custom Supplies and Equipment may be returned to the OEM subject to their return policy for a refund of the selling price plus any taxes paid. The customer is responsible for return freight charges and a minimum 30% restocking fee.

TRIMARK TERMS AND CONDITIONS OF SALE

This Quote shall be subject to TriMark’s Terms of Sale (<http://www.trimarkusa.com/SiteMedia/SiteResources/Terms/TriMark-Terms-and-Conditions-of-Sale.pdf>), which are incorporated herein by reference and shall govern.

The parties specifically agree that no signature shall be required in order for this Quote or its applicable terms and conditions to be deemed legally binding and enforceable on Customer where the intent to be so bound can be inferred (including by acceptance or retention of products or services), notwithstanding contrary requirements under any law.

Acceptance: _____ Date: _____

Printed Name: _____

Project Grand Total: \$61,199.94

Pricing Expiration:

The prices on this proposal expire 14 days after the date of the proposal with no exceptions. Known or unknown tariff costs may not be included in the pricing on this proposal and are the responsibility of the purchaser.

Where permitted by applicable state laws, we impose a surcharge on credit cards that is not greater than our cost of acceptance. Certain fabricated items may not be placed in production until the site is ready for field measurements. If the job site is not ready at the time of initial scheduled delivery, re-delivery and/or storage charges will apply. There will be a 2% per month warehouse charge in all situations where payment is not received per agreement or within 10 days of projected delivery date.

Unless otherwise agreed to by TriMark's credit department, payment terms are 50% due at time of order, 45% due seven (7) days prior to the scheduled delivery, with the remaining 5% due, as adjusted for all approved change orders and other costs, within thirty (30) days of delivery.

TriMark reserves the right to make any corrections or adjustments due to prices quoted due to errors, market fluctuation, supply chain disruption tariffs, third party supplier changes in cost, or other factors outside of TriMark's control. TriMark will notify Customer promptly of such corrections or adjustments. TriMark reserves the right to cancel or refuse any order based on incorrect pricing or availability.



Project:
Rock Island Vulcan


From:
Stafford Smith, Inc.
Brandon Reynolds
2241 S WATSON RD STE 151
Arlington, TX 76010-8183
2693431240 1111
469-862-5429 2510 (Contact)

Job Reference Number: 118270

Due to global supply chain issues, freight surcharges and changing tariff rates, Stafford Smith shall not be responsible for any unforeseen surcharges, price increases, tariffs or any other increases in cost after the order is placed. These costs will be passed along to the customer.

Item	Qty	Description	Sell	Sell Total
1	4 ea	CONVECTION OVEN, GAS Vulcan Model No. VC44GD Convection Oven, gas, double-deck, standard depth, solid state controls, electronic spark igniters, 60 minute timer, (5) nickel plated racks per oven, stainless steel front, top, sides & 8"H legs, stainless steel doors with windows, (2) 50,000 BTU, NSF, CSA Star, CSA Flame, ENERGY STAR®	\$9,777.60	\$39,110.40
	4 ea	NOTE: Item qualifies for a no charge equipment check out after the unit has been fully installed & put into service. contact your Vulcan Representative for more details		
	4 ea	NOTE: Specification subject to change without notice. Visit www.vulcanequipment.com for spec sheets & additional information		
	4 ea	1 year limited parts & labor warranty, standard		
	4 ea	K-12 School Nutrition extended warranty extends the warranty for 12 months beyond the 12 month Original Equipment Warranty, not to exceed 24 months from date of installation		
	4 ea	Natural gas (specify elevation if over 2,000 ft.)		
	4 ea	(2) 120v/60/1-ph, 15.4 amps total, (2) cords with plugs, standard		
	4 ea	Gas manifold piping included with stacking kit to provide single point gas connection		
	8 ea	Simultaneous doors, both ovens		
	4 st	Casters, set of (4) in lieu of standard legs	\$148.48	\$593.92
			ITEM TOTAL:	\$39,704.32
2	4 kt	GAS CONNECTOR HOSE KIT / ASSEMBLY	\$99.75	\$399.00

Initial: _____

Item	Qty	Description	Sell	Sell Total
		Dormont Manufacturing Model No. RG7548 Packed 1 kt Dormont ReliaGuard® Foodservice Gas Connector Kit, 3/4" inside dia., 48" long, covered with stainless steel braid, coated with gray PVC, (1) quick disconnect, coiled restraining cable with hardware, limited 5 year warranty		

ITEM TOTAL: \$399.00

Merchandise	\$40,103.32
Installation	\$5,100.00
Total	\$45,203.32



**Custom Finance Solutions
to Fuel Your Business
Growth**

Flexible payment terms*

12-month term:	\$3,997.33
24-month term:	\$2,108.73
36-month term:	\$1,482.22
48-month term:	\$1,170.31
60-month term:	\$984.98

*Payments subject to change based on credit approval



**Scan QR code above to
apply today**

For assistance, contact:

Joe Burns
Mobile: 410.977.2608
jburns@LEAFnow.com

Rob Wasson
Mobile: 410.977.2607
rwasson@LEAFnow.com

TERMS: Upon receipt of application for business account, signed quote/purchase order and review by the credit department, the down payment and terms will be established and shared with the customer and account executive. Stafford-Smith reserves the right to progress bill for equipment as needed. This includes items shipped by the manufacturer to Stafford-Smith for storage and is not conditional upon being installed, mechanically connected or operational. You are welcome to inspect all stored materials.

Stafford-Smith, Inc. shall retain security interest in all equipment, parts, small wares, accessories, attachments, additions, and any replacements of the above that have been installed, affixed to or used in connection with the items specified in this proposal until all amounts have been paid.

Should the Buyer sell or otherwise dispose of such collateral in violation of the terms of this agreement, Stafford-Smith, Inc. retains an interest in the proceeds from such transactions. Buyer authorizes Stafford-Smith, Inc. to file a financing statement describing the collateral and a copy of this agreement and/or the credit application may be filed as a security agreement for granting a secured interest in Buyer's inventory and sales proceeds thereof.

Past due amounts constitute a default and are subject to service charges of 1 ½% per month,

collection costs, and attorney fees. Warranties are conditioned on your paying the full purchase price for the equipment.

In addition to non-payment, an act of default by the buyer will have occurred if the buyer fails to accept the order of goods or fails to perform any other covenants under this agreement. In the event of default, Stafford-Smith, Inc. may enter any business property and without breach of the peace take possession of any or all collateral and exercise our rights in the event of default of a secured party as specified under the Uniform Commercial Code. Should any disputes arise, Buyer consents to the jurisdiction of the Courts of Kalamazoo County, State of Michigan.

Except as otherwise provided herein, this proposal does not include any applicable State or Federal taxes, any charge for electrical wiring or plumbing and is subject to acceptance by buyer and seller within fifteen (15) days from the date of this quote and only in accordance with the terms stated.

When ordering drop-ship equipment, please be aware to inspect your order immediately upon receipt. You may request the driver wait, for a reasonable amount of time, while you inspect and they must comply to your request. If the driver refuses to wait, please mark the receipt "driver not willing to wait" and contact Stafford-Smith within (48) hours in order for a claim to be filed. If there is damage, you may refuse or you can accept and note the damage. Please take photos, if possible, to assist in filing the claim. You must keep all original cartons, even if you accept the damage, so Stafford-Smith can pursue a freight claim on your behalf. Please send the bill of lading and any additional documentation to your Stafford-Smith representative.

If you don't have time to inspect when delivered, you have up to (48) hours to inspect and notify us immediately if there is an issue so we can address the best way to handle the claim. If not notified within (48) hours, your claim may not be valid.

We have implemented a 3.0% convenience fee on credit card transactions. As an alternative we also accept ACH, ECheck and wire transactions and you can pay directly from our website.

I agree to the terms set forth in the application, this quote hereof and offer to purchase described goods and services as proposed hereby.

Acceptance: _____ Date: _____

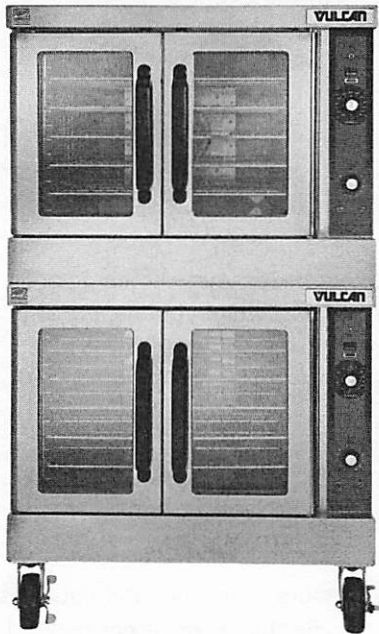
Printed Name: _____

Project Grand Total: \$45,203.32



VC44G SERIES

Double Deck Gas Convection Ovens



SELL SHEET

Model VC44GD

Shown on optional casters



SPECIFIER STATEMENT

Double section gas convection oven, Vulcan Model No. (VC44GD) (VC44GC). Stainless steel front, sides, top and legs. Independently operated stainless steel doors with double pane windows. Non-sag insulation applied to the top, rear, sides, bottom and doors. Porcelain enamel on steel oven interiors measures 29" w x 22½" d x 20" h. Two interior oven lights per section. Five nickel plated oven racks per section measure 28¾" x 20½". Eleven position nickel plated rack guides with positive rack stops. One 50,000 BTU/hr. burner per section. 100,000 total BTU/hr. Electronic spark igniters. Furnished with a two speed ½ H.P. oven blower-motor per section. Oven cool switch for rapid cool down. 120 volt, 60 Hz, 1 ph power supply required. 6' cord and plug. 7.7 amps total draw per section.

Exterior Dimensions:

40¼" W x 40" D (includes motor & door handles)

40¼" W x 37¾" D (includes motor only)

70" H on 8" legs

CSA design certified. NSF listed.

Specify type of gas when ordering.

Specify altitude when above 2,000 FT.

Project _____

AIA # _____ SIS # _____

Item # _____ Quantity _____ C.S.I. Section 114000

MODELS

- VC44GD** Solid state temperature controls adjust from 150° to 500°F. 60 minute timer with audible alarm.
- VC44GC** Computer controls with digital time and temperature readouts. 99-hour timer with audible alarm. Roast and Hold cycle. One hundred programmable menu selections. Shelf I.D. programming.

Double deck ovens are supplied as separate units with a stacking kit.

STANDARD FEATURES

- Stainless steel front, sides, top and legs
- Independently operated stainless steel doors with double pane windows
- 50,000 BTU/hr. burner per section, 100,000 BTU/hr. total
- Electronic spark igniters
- ½ H.P. two speed oven blower-motor. 120/60/1 with 6' cord and plug; 7.7 amps per section; 15.4 amps total draw
- Oven cool switch for rapid cool down
- Porcelain enamel on steel oven interior
- Five nickel plated grab-and-go oven racks with eleven rack positions per section (10 total racks)
- ¾" rear gas connection with combination gas pressure regulator and safety solenoid system
- One year limited parts and labor warranty

OPTIONS

- Kosher friendly control package
- Complete prison package
 - Security screws only
- 208V or 240V, 60 Hz, 1 ph, two speed, ½ H.P. blower motor; 208V, 4.2 amps; 240V, 3.6 amps
- Casters
- Simultaneous chain driven doors
- Control panel mounted on left side of oven
- Stainless steel rear enclosure
- Second year extended limited parts and labor warranty

ACCESSORIES (PACKAGED AND SOLD SEPARATELY)

- Extra oven rack(s)
- Rack hanger(s)
- Stainless steel drip pan
- Flexible gas hose with quick disconnect and restraining device; consult price book for available sizes
- Down draft flue diverter for direct vent connection

Approved by _____ Date _____ Approved by _____ Date _____